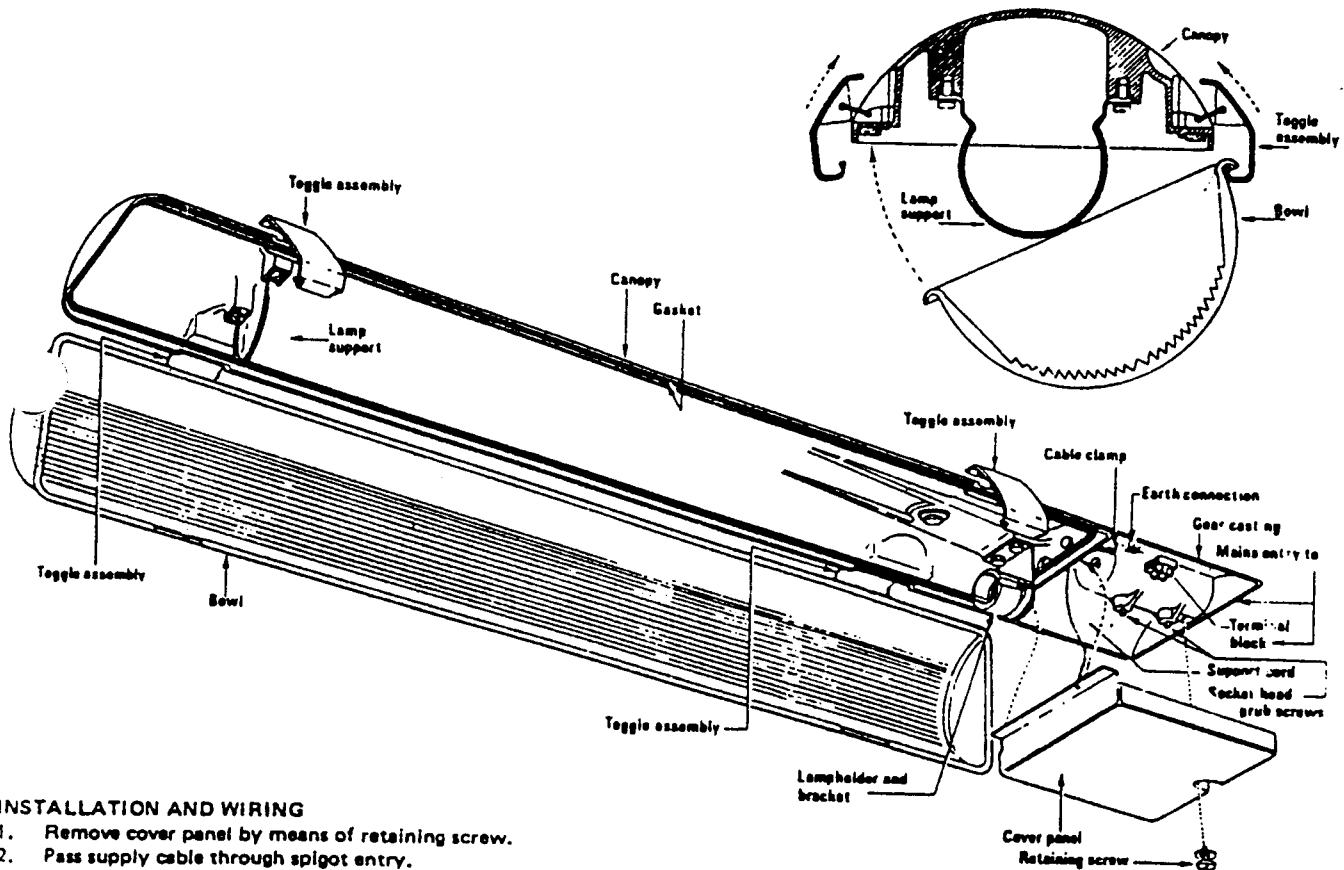


Installation and Wiring Instructions for Alpha Four

AT 7561-E



INSTALLATION AND WIRING

1. Remove cover panel by means of retaining screw.
 2. Pass supply cable through spigot entry.
 3. Locate lantern to column spigot and secure by tightening two socket head grub screws. (10mm).
- Note!* Recommended installation torque 20Nm
4. Bring supply cable through cable clamps and connect to terminal block and earth connection.
 5. Tighten cable clamp.
 6. Replace cover panel and secure retaining screw.
 7. Release the four toggles. Swing down bowl which will be held by toggle hinges on one side.
 8. Push SOX lamp through lamp support and then insert lamp in lampholder.
 9. Close bowl and ensure all toggles are refastened.

MOUNTING

Side entry for 42mm (1 1/2 in BSP) x 110mm spigot.

COMPLIANCE WITH BS 4533

This luminaire complies with BS 4533:102.3.

Luminaires for which safety-mark approval has been granted by British Standards Institution are identified by a suitable label on the product.

Photometric performance complies with BS 4533:103.1.

CLASSIFICATION FOR PROTECTION

Against electric shock: Class 1

Against ingress of moisture or dust: IP65, dust-tight and jetproof for optical compartment. IP23 for control gear section.

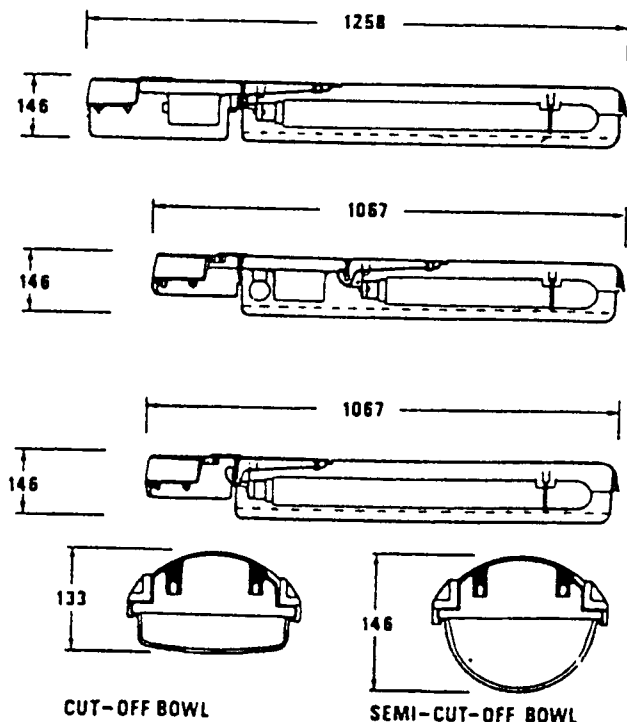
OPERATING CONDITIONS

In the interests of safety, it is essential that the mains supply is disconnected before re-lamping or servicing this luminaire.

LAMPS

90W or 135W SOX

DIMENSIONS



RANGE DETAILS

Wt. (kg)	All lanterns packed complete with bowl.		
5.0	QA4C	1135	Alpha 4 cut off lantern. 135W SOX less gear
5.0	QA4CP	1135	Alpha 4 cut off lantern. 135W SOX less gear, with photocell socket.
12.5	QA4CB	1135.4	Alpha 4 cut off lantern. 135W SOX integral gear.
12.5	QA4CPB	1135.4	Alpha 4 cut off lantern. 135W SOX integral gear, with photocell socket.
5.0	QA4S	1135	Alpha 4 semi cut off lantern. 135W SOX less gear.
5.0	QA4SP	1135	Alpha 4 semi cut off lantern. 135W SOX less gear, with photocell socket.
8.1	QA4SB	1090.4	Alpha 4 semi cut off lantern. 90W SOX Integral gear.
12.5	QA4SB	1135.4	Alpha 4 semi cut off lantern. 135W SOX integral gear.
8.2	QA4SPB	1090.4	Alpha 4 semi cut off lantern. 90W SOX Integral gear, with photocell socket.
12.5	QA4SPB	1135.4	Alpha 4 semi cut off lantern. 135W SOX integral gear, with photocell socket.

REPLACEMENT ITEMS

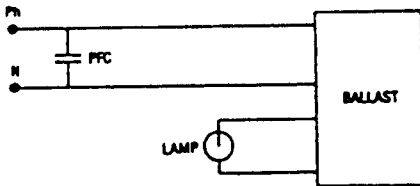
QA4 DS	Spare semi cut off bowl for Alpha 4*
QA4 DC	Spare cut off bowl for Alpha 4*
GL 1085/B22	Replacement BC lampholder

*Spare bowls packed 4 per carton

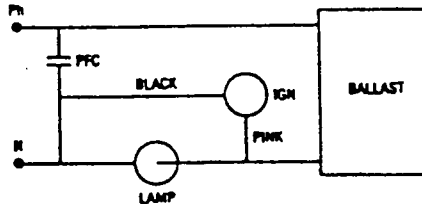
REPLACEMENT CONTROL GEAR FOR INTEGRAL GEAR LAMPS

	90W	135W
Ballast	G53440.T	G53369.4
Capacitor	GC2383	GC2386
Ignitor	G53456	-

CIRCUIT DIAGRAM 240V 50Hz 135W SOX



CIRCUIT DIAGRAM 240V 50Hz 90W SOX



WINDAGE AREA

	SCO	CO
135W with gear	0.17	0.15
90/135W less gear	0.14	0.12

Made in United Kingdom

The right is reserved to change specifications without prior notification or public announcement.

Installation Instructions for

Alpha Four Replacement Bowls

It is important that the toggles are replaced whenever the bowl is replaced. Four loose toggles are included.

It is important to note that the new toggle assemblies are identical and only when fitted to the bowl do two of these assemblies take on the function of a hinge. The second two assemblies are known as the clamping toggles. The bowl has two different ends, the first has large corner radii and the other has smaller corner radii. In order for the bowl to fit correctly the end with the smaller radii should be nearest the lampholder.

1. To remove the original bowl release all four toggles. Gently lower bowl so it is only supported by the two fixed toggles. (See Figs 1a and 1b)
2. Continue to support bowl whilst removing from the canopy the two toggle assemblies attached to the bowl. These are eased upwards using a flat blade as they are only an interference fit. The original bowl is now discarded. (See Fig 2)
3. The remaining two toggles are removed by lifting the toggle so that the toggle link is vertical and twisting so that the toggle and link pin come away leaving only that part which is cemented to the canopy. (See Fig 3a) The remaining part can be prised out of the canopy using a large flat blade (See Fig 3b). Some force will be required to break it free from its glue fixing.
4. Take the new bowl and two toggle assemblies, locate two toggles onto the captive side of the bowl. The captive side is identified by two additional moulded webb sections in the centre of each toggle position. The toggles are rotated into position. They will remain in place only while being held (at this point they are not captive). (See diagram 4) When assembled to the canopy these two toggle assemblies form the hinge side of the assembly.
5. Holding the tab of each toggle assembly lift the bowl assembly and locate onto the canopy. The bowl should now hang freely. (See diagram 5)
6. Take the second two toggle assemblies and locate them into the two remaining toggle locations on the canopy. (See diagram 6) These two toggles now function as the clamping toggles.
7. Swing the bowl assembly into position on the gasket noting that it must sit flat and centrally on the gasket. Snap the clamping toggles onto the bowl, and then snap the hinge toggles in place. The bowl should now be firmly clamped in place. (See diagram 7)

NOTE! When future servicing, the bowl is removed by reversing the above instructions whilst supporting the bowl.

RANGE

QA4DS Spare semi cut-off bowl for Alpha 4

QA4DC Spare cut-off bowl for Alpha 4

NOTE: All bowls are packed four per carton and are supplied with a full set of replacement toggles.

