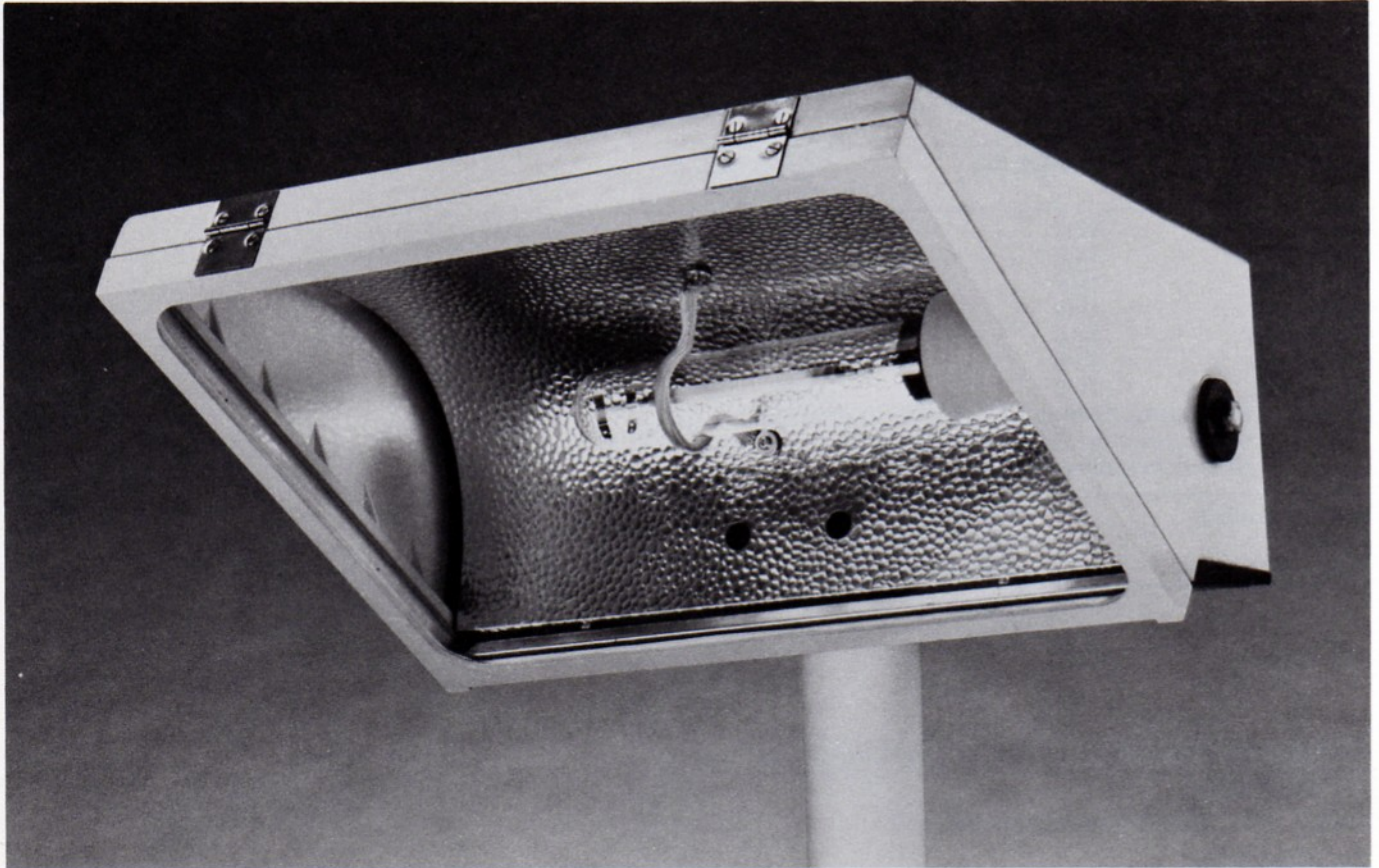




AREA FLOOD

**150W, 250W or 400W high
pressure sodium (SON)
250W or 400W mercury (MBF)**



APPLICATIONS

Amenity areas
Car parks
Garage forecourts
Industrial locations
Security lighting
Special road lighting

top or special wall bracket by a built in spigot cap in the control gear housing. Alternatively, a stirrup assembly is available.

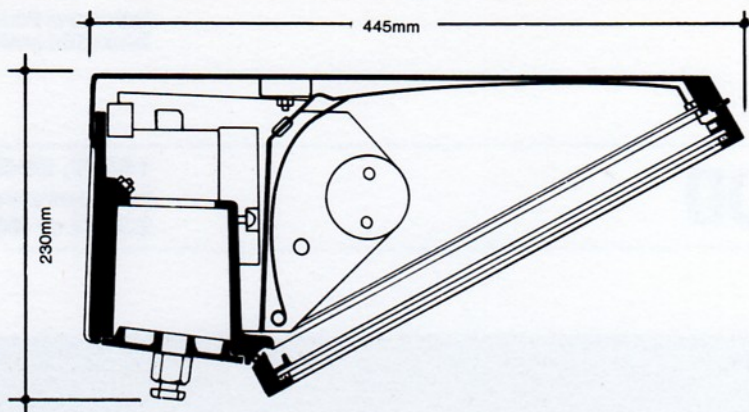
■The Lantern is safety marked to BS 4533 Section 102.3.

FEATURES

■The body and hinged front frame are in moulded glass reinforced plastic with an attached control gear housing in die cast aluminium. The front cover is toughened, heat resisting clear glass, and optical control is by a two piece reflector in polished aluminium to provide an asymmetric light distribution.

■Mounting is for 76mm x 117mm post

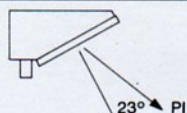
DIMENSIONS AND DATA



Luminaire	Weight: kg	Projected area: m ²
OAST.150	12.5	0.21
OAST.250	14.5	0.21
OAST.400	16.5	0.21
OACG.250	15.0	0.21
OACG.400	14.5	0.21
OAKG.250	13.6	0.21
OAKG.400	14.5	0.21

Mounting: Post top by 76mm x 117mm built in spigot cap
Wall bracket by OAB 36 or OAB 310
Stirrup mounting by OAE

Mounting angle	As diagram
Lamp	One 400W SON
Data	Based on 1000 lamp lumens



CATALOGUE NUMBERS AND ORDERING DATA

For 150W SON

OAS.T 150 Area Flood with integral gear

For 250W SON

OAS.T 250 Area Flood with integral gear

For 400W SON

OAS.T 400 Area Flood with integral gear

For 250W MBF

OAK 250 Area Flood with integral gear

For 400W MBF

OAK 400 Area Flood with integral gear

ACCESSORIES

Wall Bracket—OAB 36 (76mm) 152 Outreach
Wall Bracket—OAB 310 (76mm) 254 Outreach
Stirrup Assembly—OAC
51mm Spigot Adaptor (51mm)—OAA2