



MARWOOD ELECTRICAL COMPANY LIMITED  
SPECIALISTS IN LIGHTING

Paddock Wood Distribution Centre  
Tonbridge Kent TN12 6UU

Telephone Paddock Wood (STD 089 283) 5211  
Telex 95126 MARLEC

## BETA 4

**70W high pressure sodium (SON)**  
**80W mercury (MBF)**



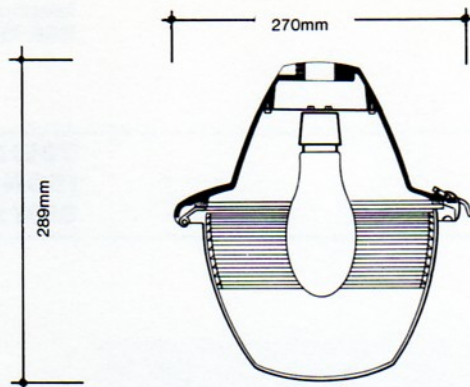
### APPLICATIONS

Minor roads

### FEATURES

- The top entry canopy is die cast aluminium, with a hinged two part cover bowl comprising an outer enclosure and an inner slip fitted retractor ring, both in clear anti vandal polycarbonate. Bowl closure is by a stainless steel toggle catch.
- The Beta 4 provides a symmetrical light distribution. Control gear is mounted remote from the luminaire.
- The lantern is safety marked to BS4533 Section 102.3.

## DIMENSIONS AND DATA



---

Maximum weight: kg	1.70kg
Windage area: m <sup>2</sup>	0.047
Recommended mounting height: m	5m
Mounting: Top entry for 3/4" BSP thread x 18mm	

---

Distribution	Group B
Design attitude	Vertical top entry
Lamp	One 70W SON
DLORL: downward ratio	0.68

---

### CATALOGUE NUMBERS AND ORDERING DATA

#### For 70W SON and 80W MBF

QB4V/1200 E27      Lantern with remote gear.

#### Spare anti-vandal bowls

QB4V

---