



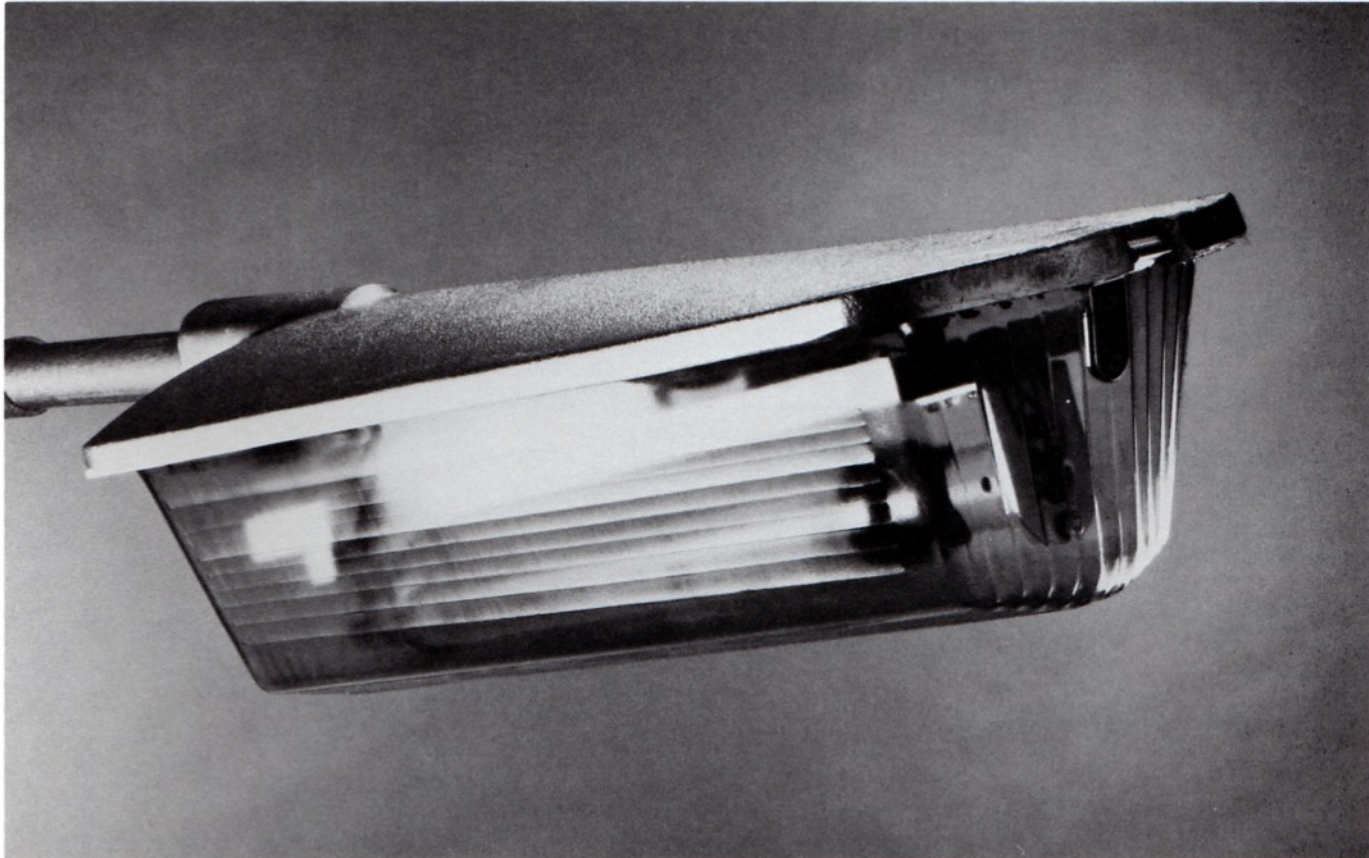
MARWOOD ELECTRICAL COMPANY LIMITED
SPECIALISTS IN LIGHTING

Paddock Wood Distribution Centre
Tonbridge Kent TN12 6UU

Telephone Paddock Wood (STD 089 283) 5211
Telex 95126 MARLEC

BETA 8

55W low pressure sodium (SOX)



APPLICATIONS

Minor roads

FEATURES

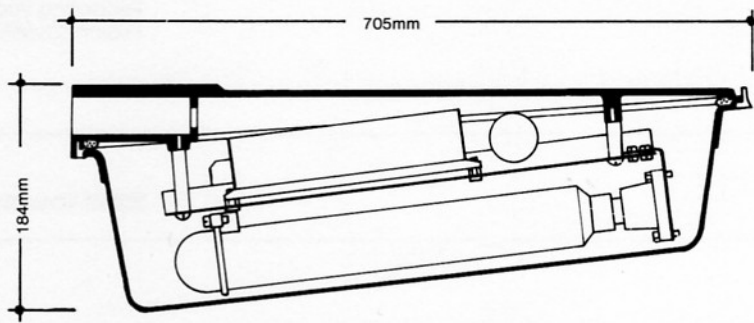
■ Available in two basic versions, with remote or integral control gear, the luminaire comprises a die cast aluminium canopy with an overlamp reflector/gear tray, and a cover bowl in ultra violet stabilised acrylic with interior, sealed refractor plates. A stainless steel hinge and clips secure the bowl to the canopy.

■ A NEMA socket for photocell switch control can be supplied fitted into the luminaire as an optional extra.

■ The lantern is safety marked to BS4533 section 102.3.



THORN EMI Lighting

DIMENSIONS AND DATA

Luminaire	With gear	Less gear
Maximum width: mm	242	242
Maximum weight: kg	8.49	4.08
Windage area: m ²	0.086	0.086
Recommended mounting height: m	5	5
Mounting: Side entry for 34mm \varnothing (1" BSP) x 100mm		

Distribution	Group B
Design attitude	Bracket entry axis elevated 5°
Lamp	One 55W SON
DLORL: downward ratio	0.68

CATALOGUE NUMBERS AND ORDERING DATA

For 55W SOX	
QB 8 DB1055 4	Lantern with integral gear
QB 8 DPB1055 4	Lantern with integral gear and NEMA socket
QB 8 D 1055	Lantern only
QB 8 D P1055	Lantern with NEMA socket only

Spare bowl	
QB 8 D	