

GPS./GPR.16/21 & 29

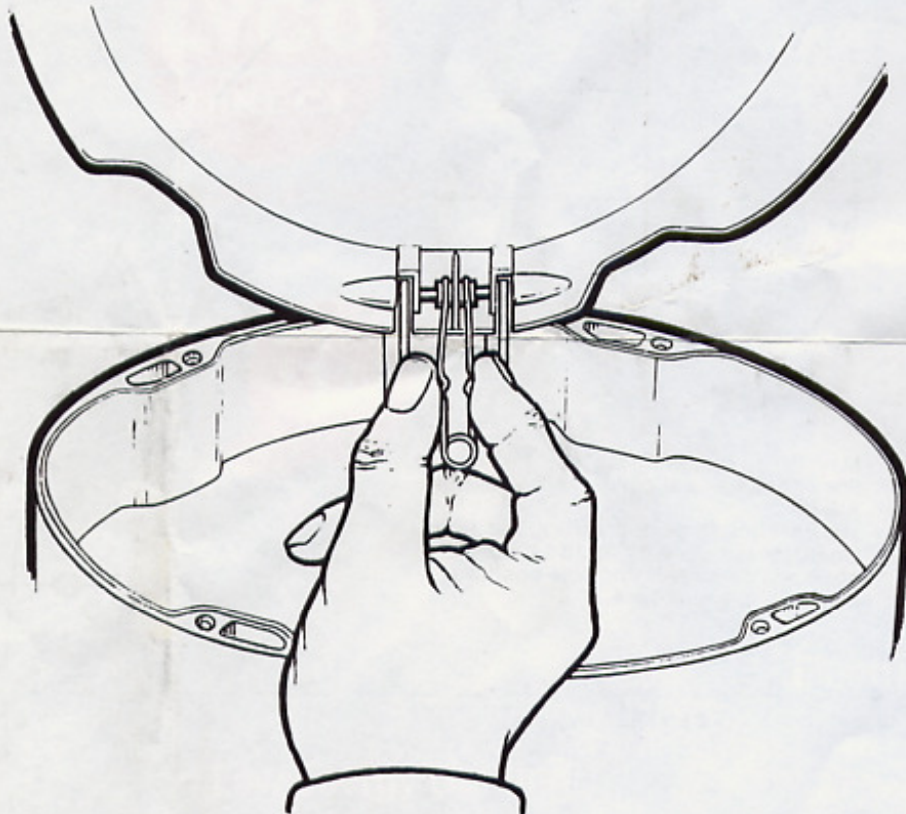
IP.65

IP.65

BS.4533 IEC 598



TO MAINTAIN THE IP CLASSIFICATION WHEN INSTALLING — BACK ENTRY — GASKET OR SEAL WITH SEALING COMPOUND CONDUIT ENTRY — SEALING WASHER OR SEAL WITH SEALING COMPOUND

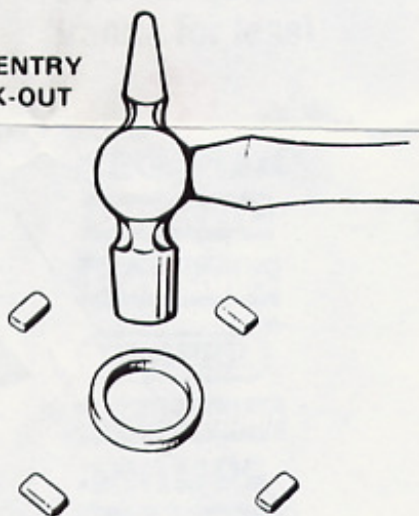


Gear Tray Removal

Unscrew gear tray retaining screw and hinge back gear tray. Using thumb and forefinger press together the spring which will extract the retaining pins from the casting and hinge bracket, at the same time holding the outer edge of the tray with the other hand. Lift gear tray free of hinge bracket.

To replace, place gear trays slots over bracket, until resting against back-stop on tray, whilst at same time pressing spring between thumb and forefinger. When positioned opposite the location holes, release spring. Slight manoeuvring of the tray may be necessary until pins self locate and enter bracket and tray location holes.

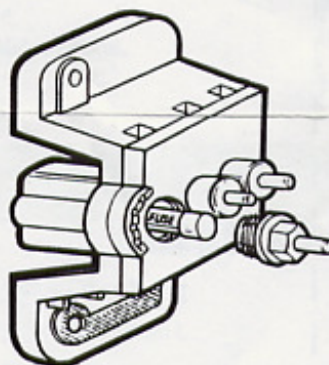
BACK ENTRY KNOCK-OUT



BACK ENTRY INSTALLATION

Remove diffuser — place fitting case on flat surface, select BS Box fixing centres (if using) and hit firmly with hammer, or punch, similarly remove centre cable entry.

DO NOT PUNCH THESE HOLES FROM OUTSIDE OF CASING.



NEW - PRESCONNECTOR FUSE REPLACEMENT (PATENTED)

To replace fuse, unscrew retaining cap, extract fuse replace and thread on cap, do not overtighten.

* FITTING MUST BE EARTHED.

FAST EARTH CONNECTION

Loosen screw 2/3 turns max — Press earth clamp downwards, Push conductor through slot in connector base until it emerges from other side. Tighten screw until conductor firmly held.



FOR WOOD SCREW FIXING USE REVERSE SIDE TEMPLATE →