



**SHETLAND –  
post top lantern**  
Exterior Lighting Range

shetland






- ☺ **Vandal Resistant Polycarbonate lens**
- ☺ **Easy Installation**
- ☺ **Integral photocell option**
- ☺ **Very robust construction**

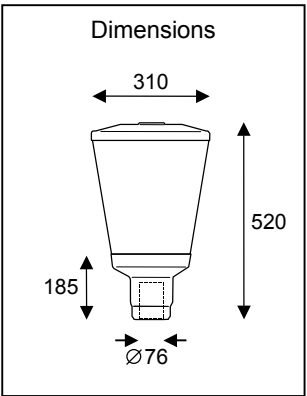
**Description**

The SHETLAND range of exterior IP65 post top luminaires is suitable for many external lighting applications. The injection moulded gallery and top are available in black finish only. The fitting comes with an opal lens.

The polycarbonate opal lens is held in place by locking the top cover with security screws and is very resilient to attack. The lens is sealed to the gallery and has an environmentally friendly black top section to reduce unwanted upward light pollution. The geartray is manufactured from steel and will accept various lamp combinations. The geartray is removable for ease of maintenance. The terminal block protrudes below the bottom pole entry to enable installation without opening the fitting on site.

All luminaires in this range are designed to comply with BS EN 60598 and are suitable for operating in interior applications. Each luminaire also complies with European Directive 89/336/EEC and carries the CE mark.

<b>PRODUCTS AVAILABLE</b>		     IP65
Catalogue No.	Description	
<b>SHE 50S</b>	50W SON opal post-top lantern	
<b>SHE 70S</b>	70W SON opal post-top lantern	
<b>SHE 100S</b>	100W SON opal post-top lantern	
<b>SHE 50M</b>	50W mercury opal post-top lantern	
<b>SHE 80M</b>	80W mercury opal post-top lantern	
<b>SHE 35SX</b>	35W SOX opal post-top lantern	
/PS	NEMA photocell socket only	



## Applications

The SHETLAND range of exterior IP65 post top luminaires is suitable for many external lighting applications. The design is aesthetically pleasing but sturdy. All versions are resilient to attack and are suitable for areas where vandalism is frequent. Such areas could be:

- Public parking areas
- Circulation areas
- Amenity lighting in Public parks
- Pedestrian precincts
- Shopping malls
- Perimeters of Public buildings
- Exteriors of Commercial buildings
- Path and access road lighting

## Maintenance

For best results do not use abrasives or highly alkaline cleaners on the fittings. Do not use squeegees, razor blades or other sharp instruments. Do not clean the diffuser in hot sun or elevated temperatures.

- For removal of paints, marker pens, inks, lipstick etc., use Butyl Cellusolve on lens only.
- To remove labels, stickers etc., from the diffuser the use of kerosene, naphtha or white spirit is generally effective.
- After cleaning a final warm wash should be made using a mild soap solution and ending with a thorough rinse with cold water. Wipe off surface moisture from metalwork.

Generally speaking, if the luminaires operate only in the hours of darkness, a re-lamping and cleaning programme every 24 to 48 months is advisable depending on which type of lamp is used

## Standards

All luminaires in the SHETLAND range are designed and manufactured in accordance with the relevant sections of BS EN 60598. In addition, they comply with the requirements of European Directive 89/336/EEC and carry the CE mark. Each and every fitting undergoes stringent testing in excess of that required under the standard, to ensure that any possibility of luminaires arriving on site in anything other than full working order is kept to an absolute minimum.

## Technical Advice

Our Technical Department would be pleased to advise customers with regard to any technical aspect of Vandalite luminaires. This includes a design service using state-of-the-art computer software, or manual calculations to ensure that each project receives the correct attention for the job.

## Vandalite Lighting Ltd.

Haley Hill Works

Haley Hill

Halifax

West Yorkshire

HX3 6ED

e-mail: [enquiries@vandalite.com](mailto:enquiries@vandalite.com)

web site: [www.vandalite.com](http://www.vandalite.com)

Tel: 01422 354254

Fax: 01422 356066

All information, recommendation, or advice contained in this document or given by Vandalite Lighting Ltd., or any of its subsidiaries, affiliates, or authorised representatives, whether written or oral, is given in good faith, to the best of its knowledge, and based on current procedures in effect. The products of Vandalite Lighting Ltd. or if applicable, of its subsidiaries or affiliates are sold subject to General Conditions of Sale printed at the rear of the current catalogue or available upon request. Nothing in this or any other document shall alter, vary or supersede, or operate to waive any of the General Conditions of Sale. Each user of the products shall convince themselves, through all available sources (including finished product testing in its appropriate environment) of the suitability of the products supplied for its own particular purpose. Because actual use of the products by the user is beyond the control of Vandalite Lighting Ltd., its subsidiaries and affiliates, such use is within the exclusive responsibility of the user. Vandalite Lighting Ltd., its subsidiaries and affiliates cannot be held responsible for any loss incurred through incorrect or faulty use of the products. Information, recommendation and / or advice are neither made to infringe on any patents, nor to grant a license under any patent or intellectual property right of Vandalite Lighting Ltd. Or any of its subsidiaries or affiliated companies, nor to grant the right to file for any patent protection. We have a policy of continuous technical development and products and / or descriptions, and / or materials may be changed without prior public announcement or warning.