



FITGS 105 post top mounting



FITGS 105 side entry mounting

Type	Lamp	Weight (kg)	Ordering number
FGS 105/040 HF	PL-L/4P 40W	4.8	9104 001 23314
FGS 105/055 HF	PL-L/4P 55W	4.8	9104 001 23414
TGS 105/018G	TL-D 18W	4.6	9104 001 23614
TGS 105/218G	2x TL-D 18W	5.2	9104 001 23714
XGS 105/066 GHF	SOX-E 66W	4.8	9104 001 39814
FGS 105/040 HF-76	PL-L/4P 40W	4.8	9104 001 23814
FGS 105/055 HF-76	PL-L/4P 55W	4.8	9104 001 23914
TGS 105/018G-76	TL-D 18W	4.6	9104 001 24114
TGS 105/218G-76	2x TL-D 18W	5.2	9104 001 24214

'-76' = post top mounting version for 76 mm OD.

All 'G' units are equipped with 230V/50Hz control gear; the 'HF' electronics versions are suitable for 230-240V/50Hz. Other voltages are available on request.

F/TGS 105

Economical, general-purpose, service-friendly fluorescent road lighting luminaires. Low energy and maintenance costs. Vandal-resistant.

Main applications

- Industrial areas
- Residential areas
- Secondary roads
- Local roads
- Roundabouts

Features

- Flexible mounting capability, with side entry mounting on 42-60 mm spigots or top mounting on 60 mm spigots or special version for top mounting on 76 mm spigots.
- UV-resistant polycarbonate refractor bowl for optimum lighting performance.
- Choice of one PL-L/4P 40 or 55W HF lamp, one TL-F 16W HF lamp, or one or two TL-D 18W lamps.
- NEMA socket for photocell switching available, on request, for unattended lighting control.

- High-strength, completely sealed construction resistant to weather and impact, for long service life and low repair and maintenance costs.
- Easy installation. Hinged bowl with quick-release clips allows swift, safe maintenance. Easily-removed gear tray.

Materials and finish

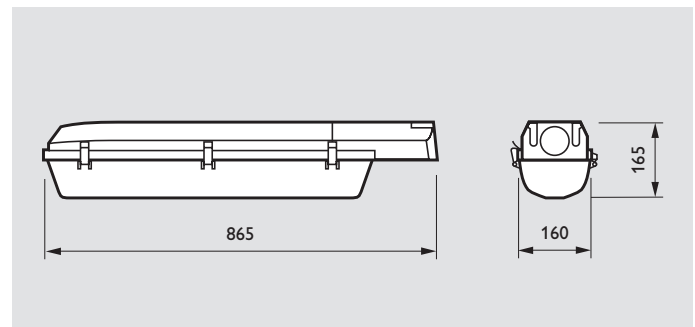
Canopy in white, glass-fibre reinforced, UV-stabilized, air-pollution resistant polyester; polycarbonate bowl with stainless-steel clips; mounting module in non-corrosive, diecast aluminium; white lacquered gear plate.

Installation and mounting

Fix to 42-60 mm side entry spigot or 60 mm top mounting spigot. Dustproof and jetproof to IP 65. No internal cleaning required.



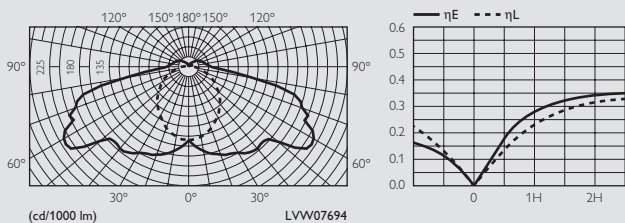
Dimensions in mm



FGS 105/055

	180	190
C ₀	94.1	33.0
C ₁₅	87.1	31.0

L.O.R. = 0.74



1 x PL-L/4P 55W

1 x 4.700 lm

H (m)	S (m)	E _H (lux)	U ₀	SR	\bar{L} (cd/m ²)	U ₀	UI	TI (%)	\bar{L} (cd/m ²)	U ₀	UI	TI (%)	\bar{L} (cd/m ²)	U ₀	UI	TI (%)
5	15	14.3	0.56	0.55	1.2	0.34	0.73	8.3	1.2	0.35	0.73	16.3	1.3	0.74	0.78	13.5
5	18	11.9	0.58	0.55	1.1	0.34	0.76	8.9	1.0	0.35	0.76	17.4	1.1	0.70	0.75	14.2
5	21	10.2	0.47	0.55	0.9	0.35	0.75	9.5	0.9	0.35	0.75	18.6	0.9	0.60	0.76	15.1
5	24	8.9	0.38	0.55	0.8	0.35	0.63	10.1	0.8	0.37	0.63	19.8	0.8	0.52	0.71	16.1
5	27	7.7	0.33	0.55	0.7	0.34	0.59	10.8	0.7	0.36	0.59	21.2	0.7	0.47	0.55	16.5