



MARWOOD ELECTRICAL COMPANY LIMITED  
SPECIALISTS IN LIGHTING

Paddock Wood Distribution Centre  
Tonbridge Kent TN12 6UU

Telephone Paddock Wood (STD 089 283) 5211  
Telex 95126 MARLEC

## MA SOX RANGE

Roadlighting Lanterns



Group A roadlighting lanterns with GRP canopies and acrylic refractor bowls for use with low pressure sodium lamps.

### RANGE

Side entry lanterns for 90W, 135W or 180W SOX lamps with or without NEMA socket and with or without integral control gear. All lanterns can be adjusted to provide 'cut-off' or 'semi cut-off' light distribution in compliance with British Standards requirements.

### APPLICATIONS

Major roads  
Motorways  
Road junctions

### FEATURES

- Dual purpose lantern with unique optics provide both 'cut-off' and 'semi cut-off' distribution from a single lantern. A simple adjustment of the lampholder and lamp support bracket alters the position in the housing to provide the two light distributions with no additional components.
- Basic modular construction. A complete lantern comprises of three separate components; canopy, prismatic bowl and spigot entry module.
- Canopy and bowl can be standardised throughout the scheme.
- Spigot entry module available without control gear housing or with integral hinged gear shoe. The modular construction offers easier

installation, maintenance and lower maintenance stock.

- Injection moulded acrylic refractor bowl with high quality interior prisms.
- Hinged gear shoe when released from safety catches can be completely removed for replacement.
- Electrical connections are made by plug and socket and the integral gear version incorporates replaceable cartridge fuse link.
- Lamp compartment is housed in the canopy module separate from the control gear module; a specification requirement now in force in many countries for motorway lighting.
- All internal wiring is of heat resistant material.

Continued....



LIGHTING

Europe's No1 Lightmaker

PHILIPS



...Features Continued

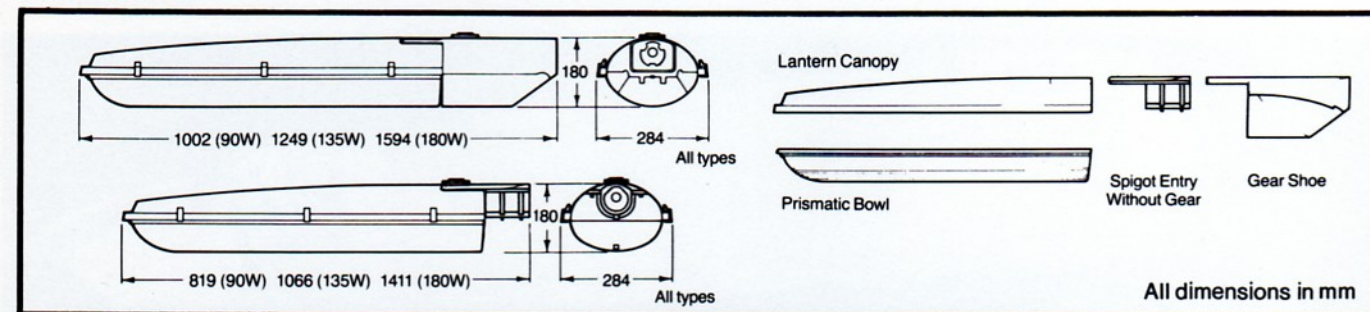
- Low profile canopy with low drag specially designed to minimise the windage area and so reduce the amount of stress on the column.
- Stainless steel used for all exposed bolts and screws to resist corrosion.
- Stainless steel spring clips allow reflector bowl to be safely hinged down for cleaning or complete removal of the bowls.

- Spigot entry module, made from die-cast non-corrosive aluminium alloy, designed for side entry mounting configuration for 42 to 48mm spigots.
- Extruded neoprene gasket between canopy and bowl provides resilient seal. Spring clips ensure an even pressure all round.
- Kite marked to BS 1788. Type compliance with BS 4533 Section 102-3.

**MATERIALS & FINISH**

- Refractor bowl:** Injection moulded acrylic.
- Canopy:** Glass fibre re-inforced polyester (GRP) pressing.
- Spigot:** Die-cast non-corrosive alloy.
- Gasket for housing:** Extruded neoprene rubber.
- Fixing clips:** Spring stainless steel.
- Internal wiring:** Heat resistant PVC.

**DIMENSIONS**



**LANTERN DATA**

Ordering Code	Rating	Dimensions		Weight	Windage		Force Coefficient	Light Output Ratio	
		Length	Depth		Plan m <sup>2</sup>	Elevation m <sup>2</sup>		LOR	DLOR
MA90-OO	90W SOX	819mm	180mm	5.20kg	0.20	0.12	0.40	0.78	0.75
MA90-OO*1	90W SOX	819mm	180mm	5.40kg	0.20	0.12	0.40	0.78	0.75
MA90-GO	90W SOX	1002mm	180mm	9.40kg	0.25	0.16	0.46	0.78	0.75
MA90-GO*1	90W SOX	1002mm	180mm	9.60kg	0.25	0.16	0.46	0.78	0.75
MA50-OO	135W SOX	1066mm	180mm	6.60kg	0.27	0.16	0.50	0.78	0.75
MA50-OO*1	135W SOX	1066mm	180mm	6.80kg	0.27	0.16	0.50	0.78	0.75
MA50-GO	135W SOX	1249mm	180mm	12.70kg	0.32	0.20	0.44	0.78	0.75
MA50-GO*1	135W SOX	1249mm	180mm	12.90kg	0.32	0.20	0.44	0.78	0.75
MA60-OO	180W SOX	1411mm	180mm	8.50kg	0.37	0.22	0.45	0.77	0.74
MA60-OO*1	180W SOX	1411mm	180mm	8.70kg	0.37	0.22	0.45	0.77	0.74
MA60-GO	180W SOX	1594mm	180mm	17.20kg	0.42	0.27	0.46	0.77	0.74
MA60-GO*1	180W SOX	1594mm	180mm	17.40kg	0.42	0.27	0.46	0.77	0.74

**ELECTRICAL DATA**

Lamp	Ballast	Capacitor	Ignitor	Mains Voltage	Mains Current (amps)	Lamp Current (amps)	Circuit Watts
90W SOX	BSX 90	L4010	SX75	240V	0.50	0.95	104W
135W SOX	BSX 135	L5007	SX74	240V	0.67	0.95	159W
135W SOX	L4135	L5020	—	200/220/240V	0.90	0.95	175W
180W SOX	L4135	L5020	—	200/220/240V	1.00	0.90	220W

**ORDERING DATA**

- For 90W SOX**
- MA90-OO Lantern } for loose gear
  - MA90-OO\*1 Lantern with NEMA socket } for loose gear
  - MA90-GO Lantern } for integral gear†
  - MA90-GO\*1 Lantern with NEMA socket } for integral gear†
- For 135W SOX**
- MA50-OO Lantern } for loose gear
  - MA50-OO\*1 Lantern with NEMA socket } for loose gear
  - MA50-GO Lantern } for integral gear†
  - MA50-GO\*1 Lantern with NEMA socket } for integral gear†
- For 180W SOX**
- MA60-OO Lantern } for loose gear
  - MA60-OO\*1 Lantern with NEMA socket } for loose gear
  - MA60-GO Lantern } for integral gear†
  - MA60-GO\*1 Lantern with NEMA socket } for integral gear†

**Spare Refractor Bowls**

Catalogue No.	Description	Packing Qty.
R8154	Bowl for 90W lantern with clips	10
R8155	Bowl for 135W lantern with clips	10
R8156	Bowl for 180W lantern with clips	10

For additional technical information, apply to Marwood Electrical Company Limited