



MARWOOD ELECTRICAL COMPANY LIMITED
SPECIALISTS IN LIGHTING

Paddock Wood Distribution Centre
Tonbridge Kent TN12 6UU

Telephone Paddock Wood (STD 089 283) 5211
Telex 95126 MARLEC

MI80

Lantern for Group B roadlighting

Group B roadlighting lantern with aluminium canopy and vandal resistant bowl for low pressure sodium lamps.

RANGE

For 55W SOX, side entry lantern with or without NEMA socket and with or without integral gear.

Top entry version available on request.

APPLICATIONS

The lantern is suitable for:

- Group B roadlighting
- Security lighting
- Residential lighting
- Car parks
- Hotel forecourts
- Shopping precincts
- Railway stations

FEATURES

- Canopy is a high-pressure aluminium die-casting to provide rigidity and durability.
- Bowl is vandal resistant and easily removable for maintenance.
- Integral control gear is mounted on a hinged gear tray for easy access.
- Ignitor circuit on integral gear lanterns provides fast re-ignition and minimises watts losses.
- Integral and loose gear types have the same external appearance.



LIGHTING

Europe's No1 Lightmaker

PHILIPS

MATERIALS & FINISH

Canopy: High-pressure die-cast aluminium LM6M.

Bowl: Vandal resistant material.

Bowl clips: Stainless steel.

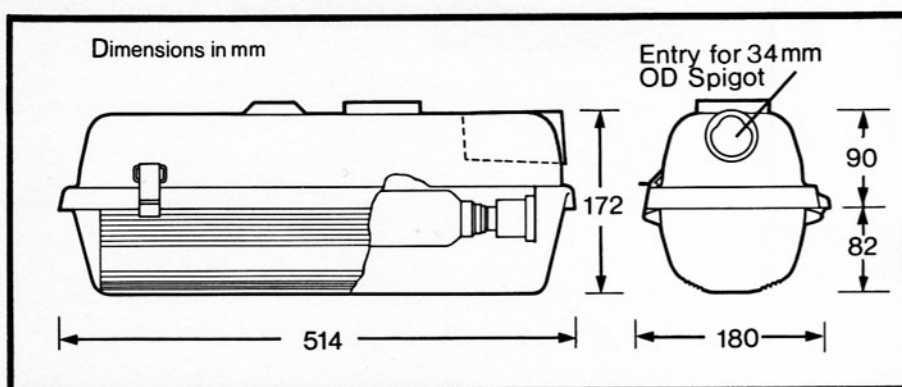
Gear tray: Pre-coated sheet steel.

SPECIFICATION

Type compliance with BS 4533

Section 102.3 and 103.1

Degree of protection IP23.

**LANTERN DATA**

Ordering Code	Rating	Dimensions		Weight	Windage		Light Output Ratio	
		Length	Depth		Plan m ²	Elevation m ²	LOR	DLOR
MI 80-OO	55W SOX	514mm	182mm	2.9kg	0.093	0.083	0.68	0.63
MI 80-GO	55W SOX	514mm	182mm	4.8kg	0.093	0.083	0.68	0.63

ELECTRICAL DATA

Lamp	Ballast	Capacitor	Ignitor	Mains Voltage	Mains Current (amps)	Lamp Current (amps)	Circuit Watts
55W SOX	L6355	L4008/	SX71	240	0.3	0.6	68

ORDERING DATA**For 55W SOX**

MI 80-OO	Side entry lantern	} for loose gear
MI 80-OO*1	Side entry lantern with NEMA socket	
MI 80-GO	Side entry lantern	} with integral gear
MI 80-GO*1	Side entry lantern with NEMA socket	

Made in U.K.

For additional technical information, apply to Marwood Electrical Company Limited