



MSB 18

Mini SOX Bulkhead KombiPak

A sturdy, high-quality luminaire, supplied as a KombiPak complete with 18W SOX lamp and all fixing accessories, for use as a ceiling or bulkhead luminaire for security or amenity lighting.

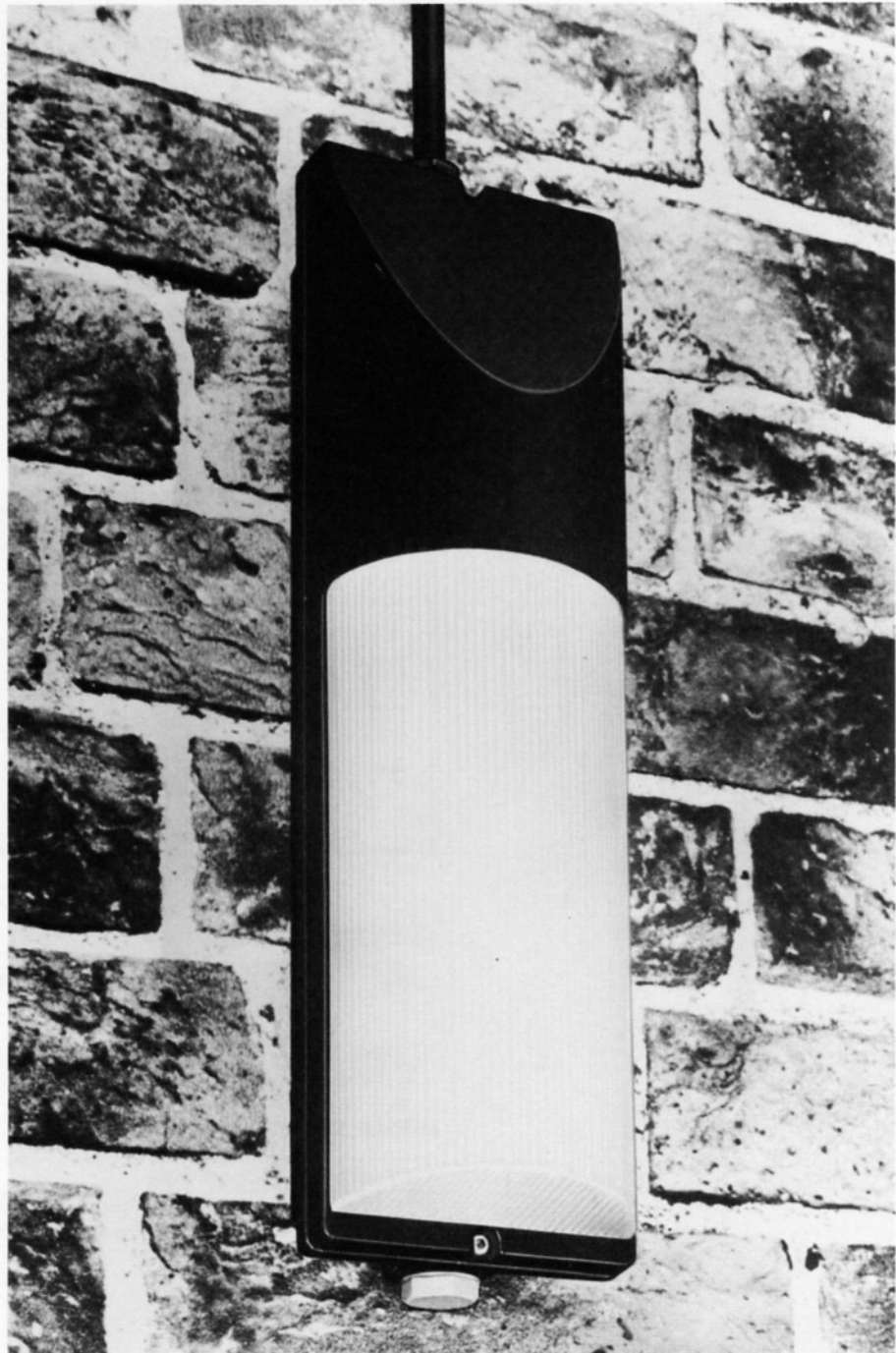
APPLICATIONS

Suitable for use in domestic, public, commercial and industrial premises, in situations such as:-

- Parking areas
- Factory gates
- Banks
- Perimeter areas
- Loading bays
- Building sites
- Schools
- Supermarkets
- Farmyards
- Museums
- Flats (walkways)

FEATURES

- Gives 40% more light than a typical 100W GLS bulkhead; yet the total circuit dissipates only 25W.
- Sturdy cast aluminium body painted black with a matching vandal-resistant cover and reeded diffuser combine smart appearance with durability.
- High-efficiency low-pressure sodium lamp with integral control gear permits all-night burning, all the year round, for as little as 10p a week.
- Supplied as KombiPak, complete with all fixing accessories.
- Familiar yellow sodium light gives excellent visual acuity and fog penetration.
- Cover secured by hexagon screw to prevent unauthorised tampering
- Ideal for indoor use, either surface mounted or recessed.



MATERIALS & FINISH

Body: Die-cast corrosion-resistant aluminium alloy.

Diffuser: Opal acrylic, vandal-resistant.

Gear tray: Steel, zinc-plated.

RANGE OF OPERATION

230/250V 50 Hz.

Indoor or outdoor operation.

Suitable for ambient temperatures from minus 20°C to 20°C.

WEIGHT

2.3 kg.

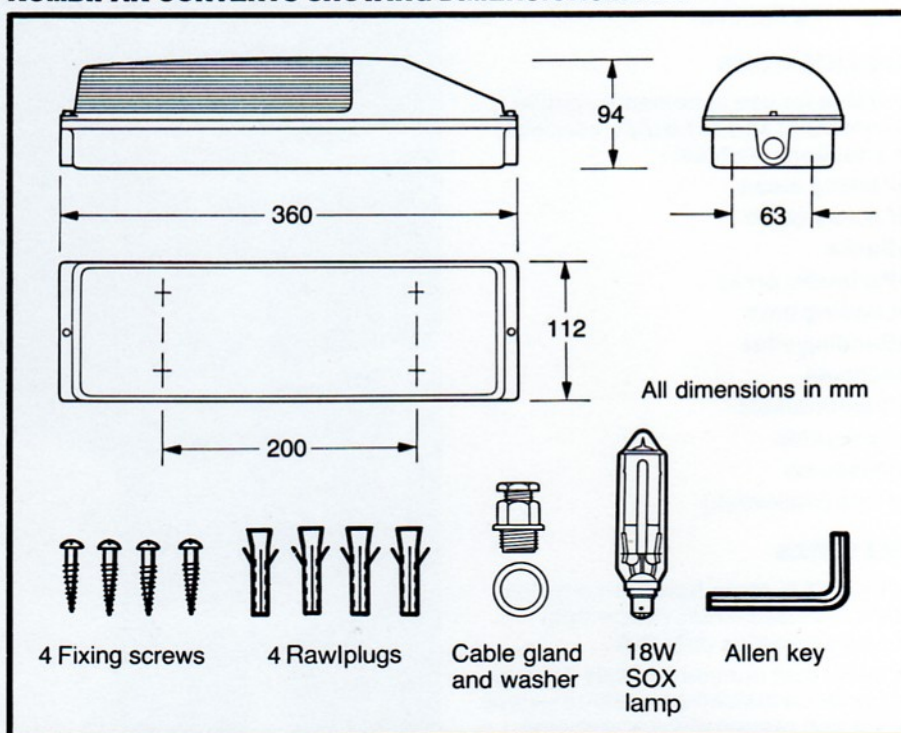
SPECIFICATION

■ Degree of Protection IP23.

■ Type compliance with BS 4533 Section 102:2

Note: When the luminaire is mounted vertically, the gear tray must be at the top so that the lamp cap is uppermost. Cable entry is provided from either end or from the underside.

KOMBIPAK CONTENTS SHOWING DIMENSIONS IN MM



ELECTRICAL DATA

Lamp	Ballast	Capacitor	Ignitor	Mains voltage	Mains current (amps)	Circuit Watts
18W SOX	BSX18	L 4005/07	—	240	0.14	25

ORDERING DATA

Catalogue No.	Description	Packing quantity
MSB 18	Luminaire with opal diffuser complete with 18W SOX lamp and all accessories	Individually packed

Luminaire: Made in UK.

For additional technical information, apply to Marwood Electrical Company Limited