



P111

Group B Post Top Lantern

RANGE

The 'Promenade' lantern accommodates a wide range of lamp types including SON, MBF, SOX and GLS; most with built-in control gear.

APPLICATIONS

- Group B roadlighting
- Residential lighting
- Conservation areas
- Parks

FEATURES

The P111 Promenade post top lantern comprises a cast aluminium base with integral spigot cap, a diffusing or transparent cone, vandal resistant if required, and a spun aluminium canopy with ornamental corona. The lantern may be provided with internal dome refractors and transparent cones to provide non-axial asymmetric light distribution. The lantern base may be round or octagonal to suit the column. Access to the interior is obtained by releasing a captive knob which enables the canopy and cone to be removed independently. With clear cones and refractors this range of lanterns will meet the appropriate requirements of BS 4533: Part 2: Section 2.7 and BS 5489: Part 3 for Group B5/6 installations.



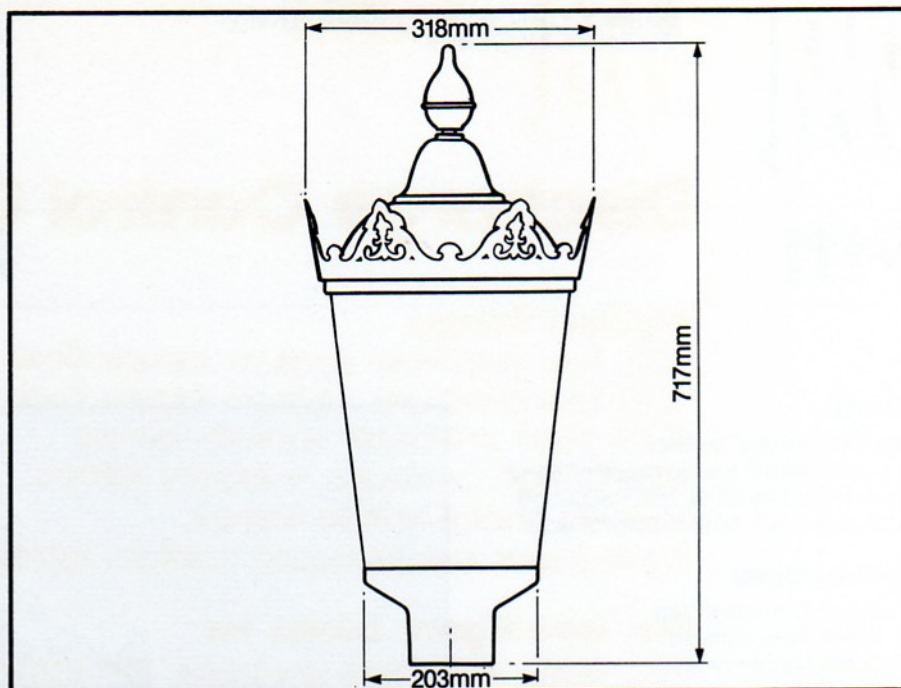
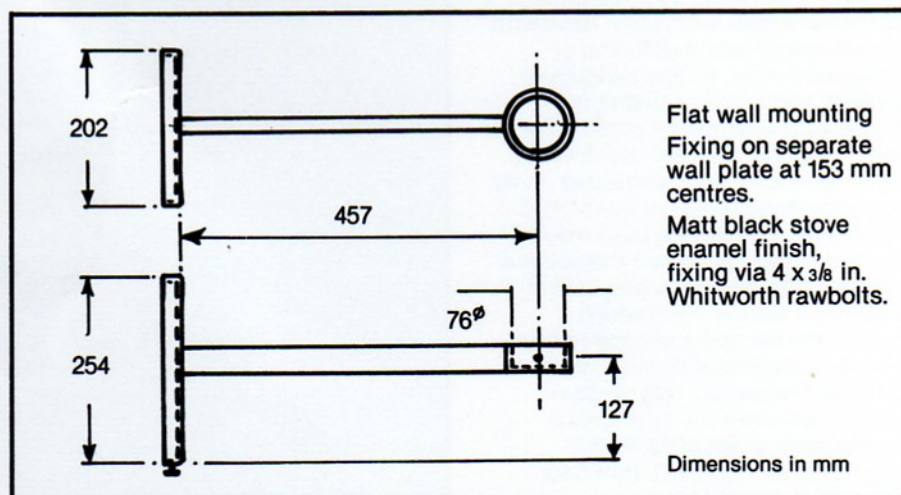
Weatherproof Rating: IP23
Electrical Rating: Class 1

WEIGHT

5.0kg without control gear

POLE FIXING

76mm diameter x 76mm

**WALL MOUNTING BRACKET WB 500****ORDERING DATA**

Catalogue No	Lampholder	Lamp
P111/1	BC	150w GLS max
P111/2	BC 3-slot	125w MBF max
P111/3	ES	125w MBF max 110w SON max 200w GLS max
P111/4	BC	35w SOX max

Please add the following suffix

NOTE: The lanterns listed below are without refractors and have diffusing acrylic plastic cones to provide symmetrical light distribution. The lantern bases are round. For identification when ordering variations from these basic designs please add suffixes to the catalogue numbers as follows:

With diffusing polycarbonate plastic cone	V
With transparent acrylic plastic cone	T
With transparent polycarbonate plastic cone	VT
With dome refractor and transparent cone	RT or RVT
With octagonal, instead of round base	O
With built-in control gear (not available for SOX version)	G
With 38mm hole for 2-part Photo-cell	H

Example: P111/2/RVT/O/G/H

Luminaire Made in UK

Dimensions in mm