



# P178

## Group B Post Top Lantern

The Phosco P178 lantern was designed by John Ricks MSIA and has been approved by the Design Council. Available for post top or wall bracket mounting the P178 is an ideal lantern for the lighting of pedestrian precincts, conservation areas and subsidiary roads and any area requiring a versatile aesthetically pleasing lighting unit.

### RANGE

The 'Rix' lantern accommodates a wide range of lamp types including SON, MBF, SOX, GLS and circular fluorescent; most with built-in control gear.

### APPLICATIONS

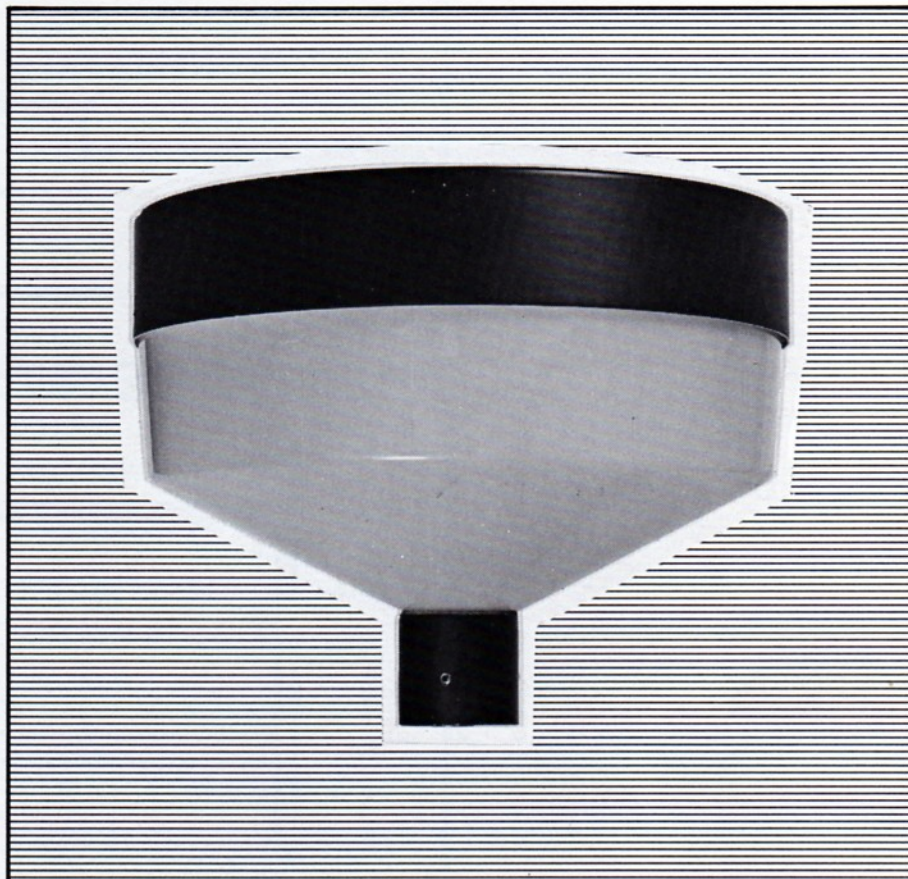
The lantern is suitable for:

- \* Group B road lighting
- \* Residential lighting
- \* Hotel forecourts
- \* Shopping precincts
- \* Parks

### FEATURES

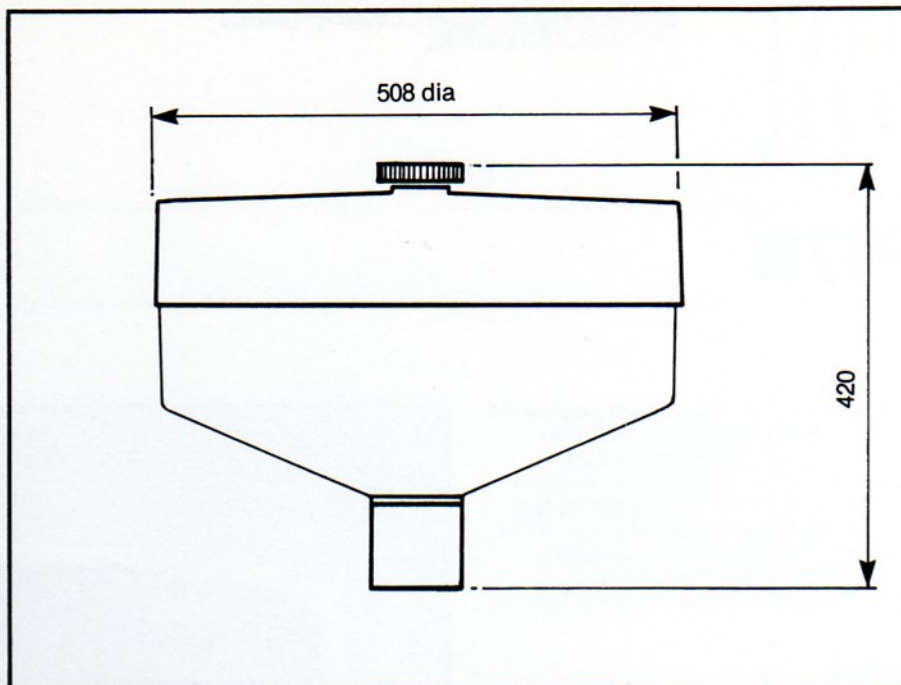
The lantern comprises an inner support frame which is secured to the spigot cap through a pressure plate. A bowl of diffusing acrylic plastic is held between the pressure plate and the spigot cap with a cork gasket to provide an effective cushion and seal. Alternatively a bowl of stronger material may be supplied for additional protection against vandalism. The top member of the frame carries the lampholder and control gear, if required. The canopy is a light aluminium spinning which fits over the bowl and is secured to the internal frame by a captive ornamental knob, being easily removable for maintenance.

The standard canopy finish is stove enamel matt black outside and white inside.

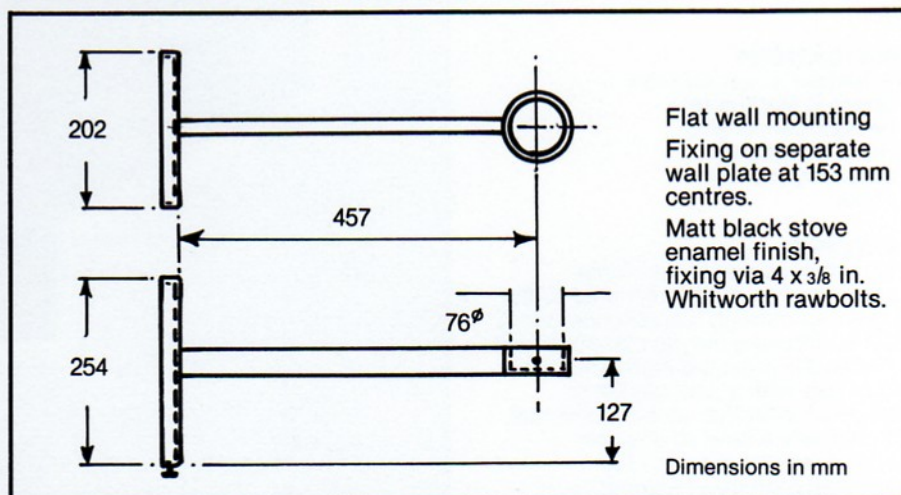


**WEIGHT**  
5.5kg. without control gear

**POLE FIXING**  
76mm diameter x 76mm.



**WALL MOUNTING BRACKET (WB 500)**



**ORDERING DATA**

Catalogue No.	Lamp Holder	Lamp	Please add the following suffix
P178/4	3 slot BC	125w MBF maximum	G for built-in control gear (not available for P178/4)
P178/2	E.S.	200w GLS or 125w MBF or 110w SON maximum	
P178/3	B.C.	150w GLS maximum	H for 38mm hole for 2-part photo-cell
P178/4	G.E.S.	250w MBF or 250w SON maximum	PC for N.E.M.A. Photo-cell socket
P178/5	B.C.	55w SOX maximum	V for diffusing vandal resistant bowl
P178/6	4-pin	2 x 40w circular fluorescent	W for bracket mounting lantern

Luminaire Made in U.K.

Dimensions in mm

For additional technical information, apply to Marwood Electrical Company Limited

Lighting Equipment