



PL * LAMP

Single-ended miniature fluorescent lamps

A range of single-ended miniature fluorescent lamps with integral starters, for use with separate ballast. The range offers to designers of luminaires and equipment containing lighting a new light source with exciting design possibilities. The integral starter and single cap simplify modifications to existing luminaires; the compact dimensions open up the possibility of new slim luminaires, including decorative types.

RANGE

PL7 - 7 lamp Watts

PL9 - 9 lamp Watts

PL11 - 11 lamp Watts

APPLICATIONS

For use in new luminaires, and modified existing luminaires, in applications such as:

- Bulkhead luminaires
- Wall-mounting luminaires
- Table lamps

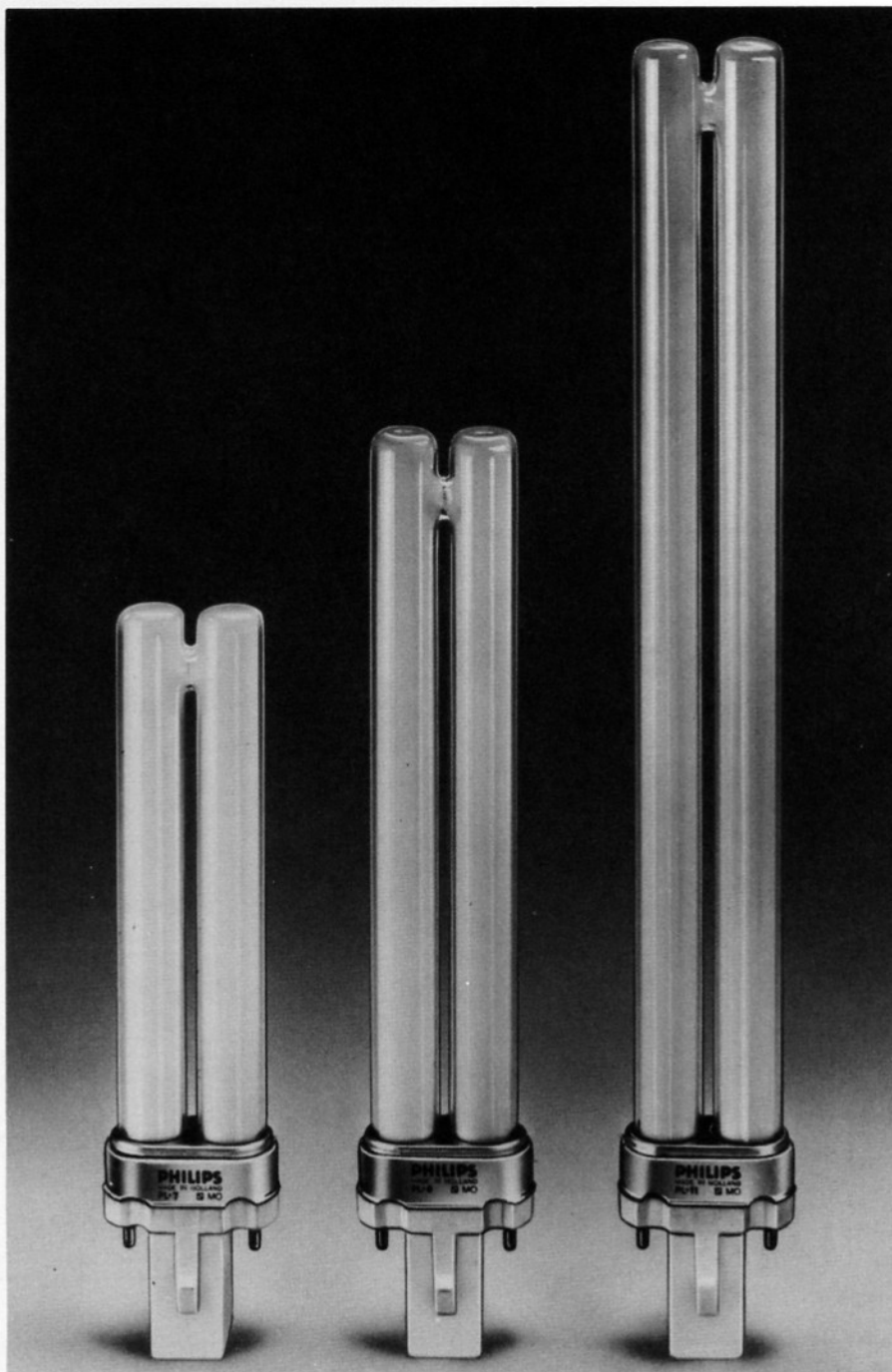
And for building into other forms of equipment, such as:

- Luminous displays
- Cocktail cabinets and similar furniture
- Built-in lighting in office furniture

FEATURES

- Single-ended construction reduces cost of lampholders and associated wiring.
- Integral starter in lamp cap cuts component and wiring costs and saves space; starter is automatically replaced with lamp to increase reliability of luminaire.
- Double limb reduces overall length, and gives lighting width of two miniature lamps.
- Phosphor uses components from Colour 80 Series to combine high efficacy with good colour rendering.
- New compact light source using one fifth the power of a filament lamp of comparable output; needing fewer components than conventional miniature fluorescent lamps.
- Lasts five times as long as conventional filament lamp.

Operating position - any.



LIGHTING

Europe's No1 Lightmaker

PHILIPS

LUMINOUS DATA

Catalogue No.	Lumen output	
	100hrs	2000hrs
PL7	410	370
PL9	570	510
PL11	890	800

Depreciation: Approx. 4% per 1000 hrs.

Chromaticity co-ordinates: $x=0.460$
 $y=0.414$

Correlated Colour Temperature: 2700K

Colour Rendering Index: (Ra8) 81

Averages, measured under standard conditions.

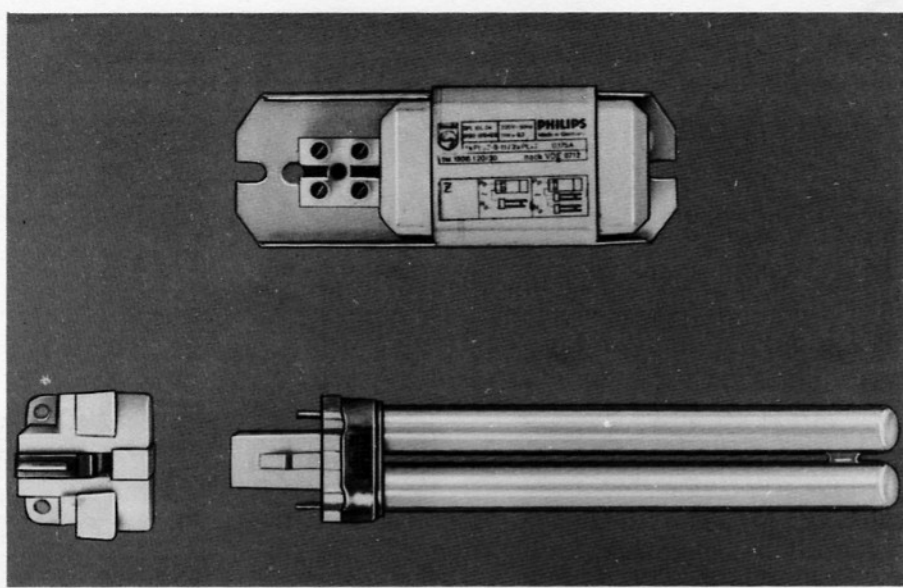
ELECTRICAL DATA

Catalogue No.	Lamp Volts (V)	Lamp Current (A)	Lamp power (W)
PL7	45	0.18	6.9
PL9	60	0.17	8.7
PL11	90	0.16	11.4

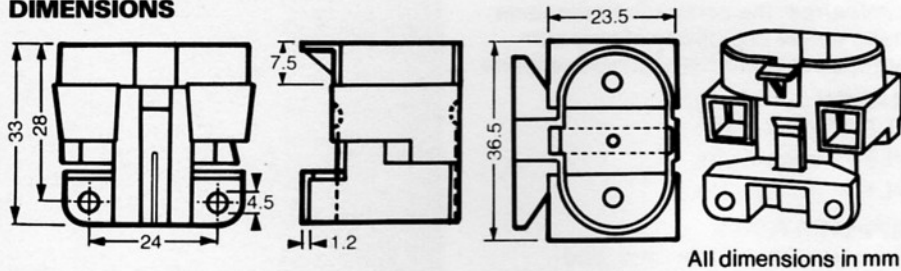
Averages, measured under standard conditions.

DIMENSIONS & WEIGHTS

Catalogue No.	L (mm)	Weight (g)
PL7	112	43
PL9	144	45
PL11	213	47

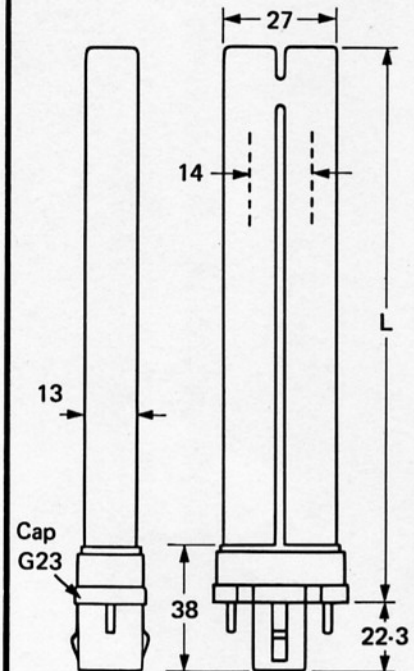


DIMENSIONS



All dimensions in mm

Maximum lamp outlines available on request.



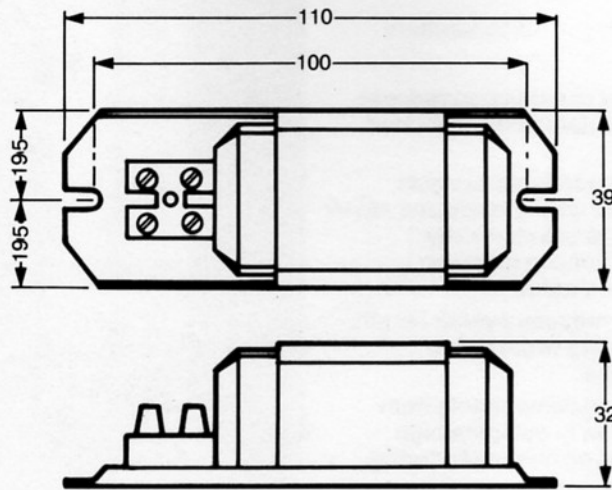
All dimensions in mm.

This lampholder is made of Poca 4235, a self-extinguishing thermoplastic polyester material re-reinforced with glass-fibre.

Electrical connection by means of insert contacts (no screws). For mounting on a plane parallel to the lamp.

DIMENSIONS

Ballast BPL 10L 24 Weight 400g Losses 4W



All dimensions in mm

Made in Holland.

For additional technical information, apply to Marwood Electrical Company Limited