
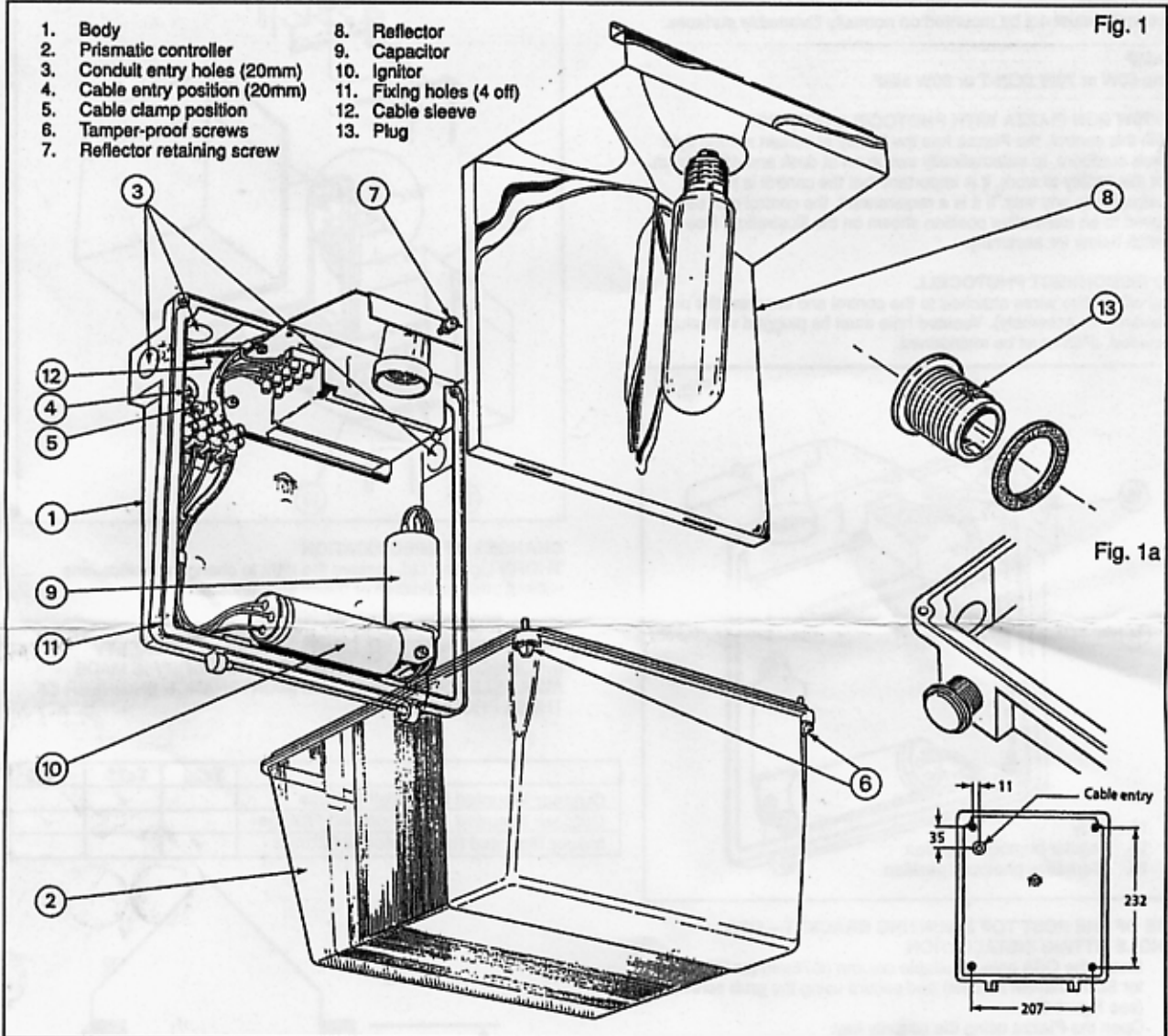


IP65  Ta30°C CE

THORN

Ta 25°C for 50/70W SON with Photocell
**Installation and Wiring Instructions for
 Piazza**

AT11200-E



The fitting is supplied with lamp unless marked 'LL'. Control gear is wired to the lampholder ready for connection to incoming mains supply.

MOUNTING
 THE MINIMUM RECOMMENDED MOUNTING HEIGHT IS 3M.

IMPORTANT
 Different control gear is used for 50W SON, 70W SON and 80W MBF. The correct lamp **MUST** be used as detailed on the label inside the fitting. Lamp wattages are not interchangeable.

- INSTALLATION**
1. Remove fitting from packaging.
 2. Release the prismatic controller by unfastening the two tamperproof screws using the special key provided with the luminaire and hinge open the controller.
 3. Loosen reflector retaining screw and remove the reflector.

4. The four mounting holes are now visible. All should be used to secure the luminaire to the desired vertical surface. Seloc washers are provided and should be placed under the heads of screws to maintain the seal. **IMPORTANT THAT ROUND HEAD SCREWS ARE USED. COUNTERSUNK HEAD SCREWS OFFER NO SEAL.**
5. It should be noted that mains cable entry is possible via the rear of the body by drilling a 20mm dia. clear hole at drill point provided. Protection classification IP65 must be maintained if this entry option is used.
6. Mains cable entry is also possible via the three 20mm dia. conduit entry holes in the walls of the body. Plugs and gaskets are provided and these should be used to seal the holes not being used for mains entry. See sketch above on plugging holes. (Fig. 1a).
7. If through wiring is required, ensure that these pass through the cable sleeve provided before passing behind the gear tray.
8. Locate reflector and tighten reflector retaining screw.
9. Fit the lamp.
10. Close prismatic controller and secure screws.

CLASSIFICATION FOR PROTECTION

Against ingress of dust or moisture IP65 dust-tight, jet proof.
 Against electric shock: Class 1.

OPERATING CONDITIONS

In the interests of safety, it is essential that the mains supply is disconnected before re-lamping or servicing this luminaire.
 Luminaire must not be mounted on normally flammable surfaces.

LAMP

One 50W or 70W SON-T or 80W MBF

50/70W SON PIAZZA WITH PHOTOCELL CONTROL

With this control, the Piazza has the facility at certain natural light levels outdoors, to automatically switch on at dusk and off at dawn. For this facility to work, it is important that the control is never obstructed in any way. If it is a requirement, the control can be moved to an alternative position shown on the illustration. See sketch below for assembly.

TO DISCONNECT PHOTOCELL

Pull off the two wires attached to the control and unscrew the nut. (Reverse for assembly). Vacated hole must be plugged with plug provided. IP65 must be maintained.

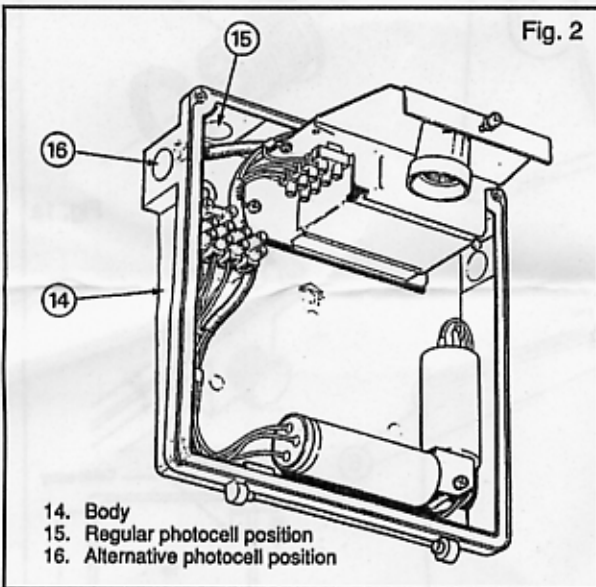


Fig. 2

- 14. Body
- 15. Regular photocell position
- 16. Alternative photocell position

USE OF THE POST TOP MOUNTING BRACKET – OSA SINGLE FITTING INSTALLATION

1. Mount the OSA onto a suitable column (Ø76mm (or Ø60mm for Scandinavian models) and secure using the grub screws (see Figure 3).
2. Open the Piazza using the security key.
3. Remove the reflector.
4. Fix top and bottom brackets to body using the four fixing holes, with screws, nuts and washers provided.
5. Drill 20mm dia. clearance hole in base of body. **CONTRACTOR MUST MAINTAIN IP65 SEAL WITH GLAND BY OTHERS.** All conduit entry holes in the walls of body must be sealed with plugs, washers and nuts provided (see plugging holes sketch).
6. Mount Piazza to OSA by locating the two holes in bottom bracket over two studs at bottom of OSA. Shut fitting to OSA and screw down securely at top.
7. **SCREW CABLE CLAMP (PROVIDED IN BAG) TO BOSSES ON BODY NEAR TERMINAL BLOCK.** Pass mains wire under clamp. Connect cables to terminal block. Fasten clamp down firmly for safety.
8. Secure reflector. Fit the lamp.
9. Close prismatic controller and secure screws.
10. Close up opposite end of OSA with cover plate as item 6.

TWIN FITTING INSTALLATION

First follow procedure for single fitting installation. For second fitting, proceed as follows:- Items 2, 3, 4, and 5 now pass mains cable through gland into fitting then continue with items 6, 7, 8 and 9.

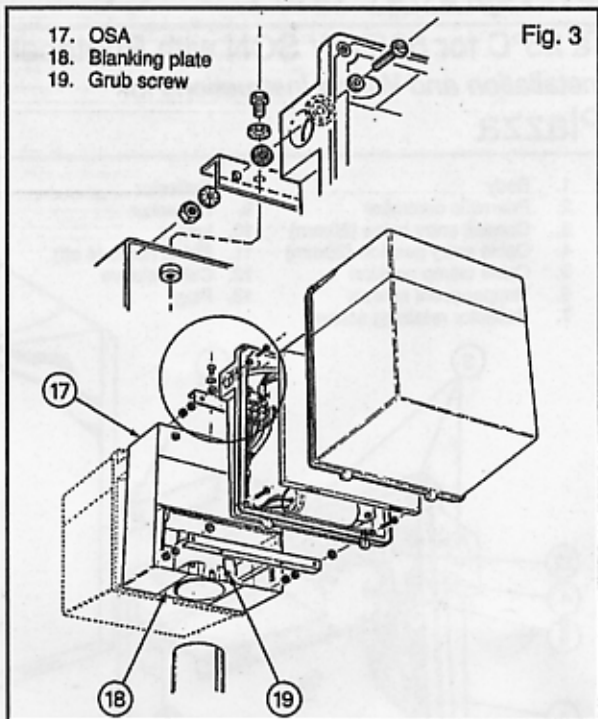


Fig. 3

CHANGES OF SPECIFICATION

THORN Lighting Ltd. reserve the right to change specifications without prior notification or public announcement.

IMPORTANT NOTE TO INSTALLER

THESE INSTRUCTIONS CONTAIN IMPORTANT SAFETY INFORMATION. PLEASE ENSURE THAT A COPY IS MADE AVAILABLE TO THE USER AND MAINTENANCE ENGINEER OF THESE PRODUCTS.

	Ta20	Ta25	Ta30
Outdoor Mounted Photocell Fittings		✓	
Outdoor Mounted Non Photocell Fittings			✓
Indoor Mounted Non Photocell Fittings	✓		

