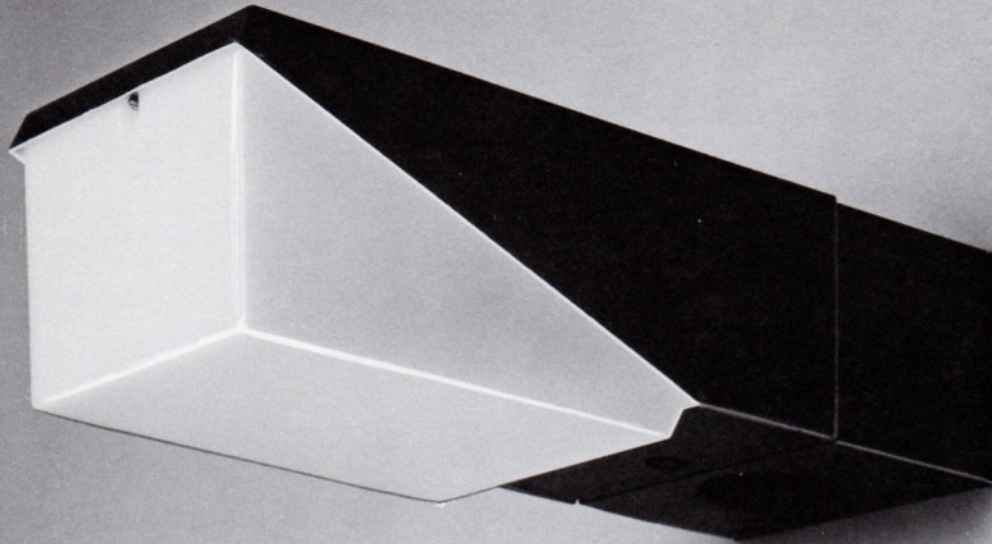




# PRECINCT

**70W high pressure sodium  
(SON)  
80W mercury (MBF)**



## APPLICATIONS

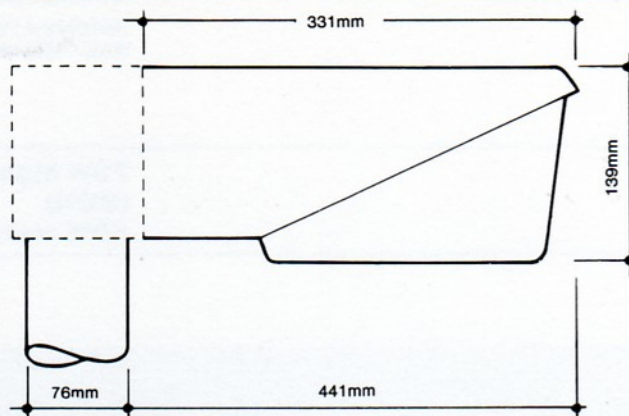
Pedestrian precincts  
Walkways  
Amenity areas

## FEATURES

■ The Precinct fitting is an attractive modern design for use in pedestrian precincts and walkways, and amenity areas demanding lighting equipment of good appearance. It may be used with a 70W high pressure sodium or 80W mercury lamp and is complete with integral control gear. Mounting is to wall (as illustrated above) or on post top single or twin arrangement by addition of OCA 1-2 pole mounting adaptor.

■ The canopy/gear housing is pressure die cast aluminium, and the hinged cover bowl opal anti-vandal polycarbonate secured by a single screw fixture.

■ The lantern is safety marked to BS 4533 Section 102.3.

**DIMENSIONS AND DATA**

<b>Luminaire</b>	<b>OC1070</b>	<b>OC1080</b>	<b>OCA 1-2</b>
Maximum width: mm	193	193	193
Maximum weight: kg	4.90	4.10	1.59
Windage area: m <sup>2</sup>	0.064	0.064	0.015
Recommended mounting height:m	5	5	5
Mounting:	Wall or post top		
Lamp	One 70W SON		
Design attitude	Horizontal		
LORL: light output ratio	0.68		

**CATALOGUE NUMBERS AND ORDERING DATA****For 70W SON**

OC1070 T Precinct lantern with integral control gear.

**For 80W MBF**

OC1080 4 Precinct lantern with integral control gear.

**Pole mounting adaptor**

OCA 1/2