

SS9 (Nema Fixing) & SS59 (Two Part)

The Zodion SS9MPN (micro processor part night) is the first fully solid state, one part electric control available with various options for part night operation.

The two part version is housed in the standard FKI Zodion two part envelope and is designated SS59.

The Zodion SS59MPN will directly interchange into existing RTE two part terminal blocks. It may be necessary to add a shorting link dependent upon the existing RTE model and it is strongly recommended that the sensing head be replaced with the new one supplied.

The accepted switching standard throughout the United Kingdom, for part night operation, is midnight off with 5.30 am switch on. The alternative switch off times of 11.00 pm or 1.00 am are available together with the options of no morning switch on, 5.30 am switch on or 6.30 am switch on.

It is necessary to specify your requirements at the time of ordering.

Both the units are very competitively priced and considerable savings can be made against the cost of time switches. Either model will replace a time switch for many applications and the Zodions do not need to be re-set in the event of supply interruption. They will self-correct within 3 days if the supply is interrupted for more than 15 seconds.

There are many areas of the country where considerable monetary savings can be made by judicious application. The pay back period can be less than 27 months dependent upon circumstances and existing switching installations.

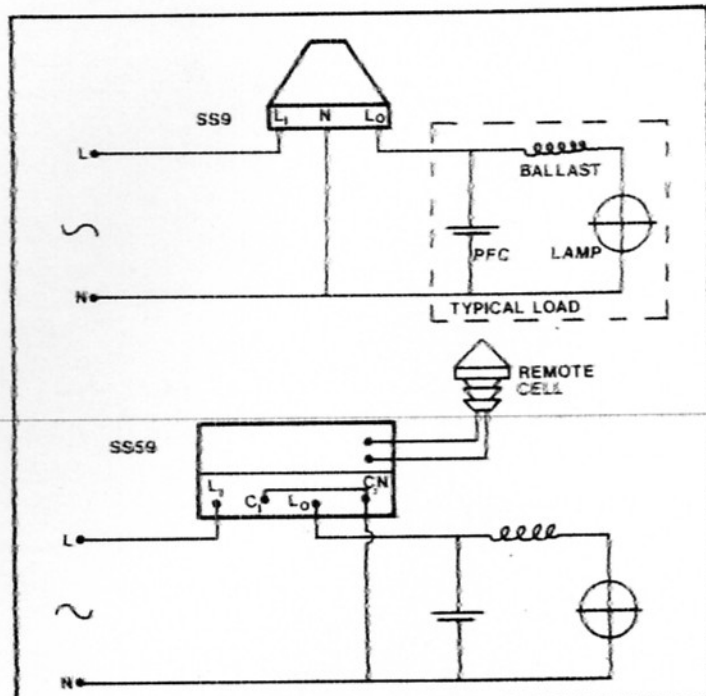
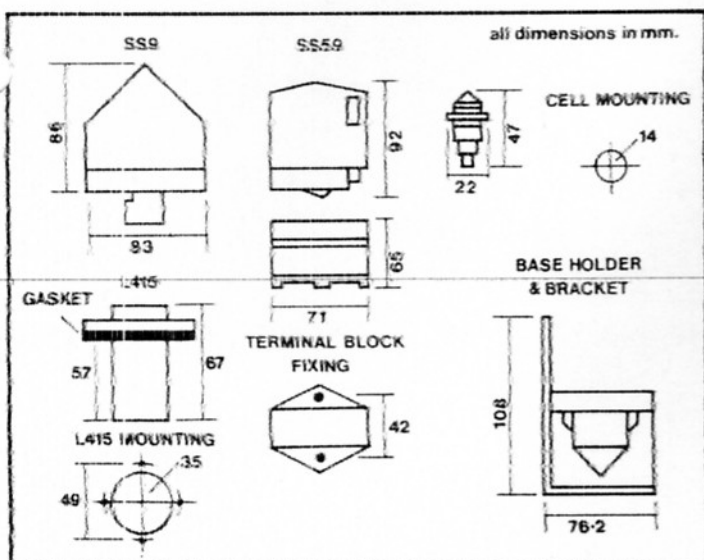
The Zodion SS9 can be supplied in kit form containing all the necessary parts for the industrial user, contracting electrician or home handyman.

The load switching output triac is a twenty ampere device but to avoid any heat dissipation problems, together with the sometimes difficult start characteristics, the unit is rated at single lamp source of up to and including 400 watt H.P.S. SON. For multiple SON lamp sources or greater loads a load switch contactor is advised.

SPECIFICATION	SS9/SS59
TYPE	Electronic Fully Solid State with Microprocessor Control
VOLTAGE RANGE 50/60Hz	198-264 VAC
SWITCH-ON LEVEL LUX.	Standard 70
SWITCHING DIFF.	1:0.5 neg.
TYPICAL LOAD	2 x 250 Watts H.P.S.
TEMPERATURE RANGE	night -20°C day +50°C
LOAD SWITCHING CAPACITY	
CURRENT	5 Amps
MAX. POWER FACTOR CORR.	60 MFD.
TYPICAL SWITCHING DELAY	60 Secs.
ENCLOSURE MATERIAL	Polycarbonate
POWER CONSUMPTION	Light 0.33 Watts Dark 0.5% of load

Operation of Zodion SS9/SS59 Part Night Photo Electric Controls

1. A delay of approx. 1 minute is present on switching load on or off.
2. If installed in light, unit will be off.
3. If installed in dark, unit will be on.
4. Initial periods of darkness less than 4 hours long are ignored by part night area of the programme. (Except that one transition—dark to light is taken as the first night.)
5. Recommended procedure to test unit.
 - a) Install—then power up—load should be off
 - b) Cover cell for—1 minute—load should switch on
 - c) Uncover cell—after approx. 1 minute load should switch off
6. After the first night (any duration—see above) the unit will start to record the second night, and on the third night perform part night switching.
7. If at any time power fails to the unit it will burn for two nights before part night switching recommences.



Illustrations and specifications are not binding in detail. The designs are subject to modification and improvement without notice.



FKI Cableform Ltd.

Gratrix Works, Gratrix Lane, Sowerby Bridge, West Yorkshire, HX6 2PH
Phone: (0422) 833533, Telex: 51122 FKICAB G, Fax: (0422) 834375

Zodion SS9 (Nema fixing) Zodion SS59 (two part)

The Zodion SS9MPN (micro processor part night) is the first fully solid state, one part electric control available with various options for part night operation.

The two part version is housed in the standard FKI Zodion two part envelope and is designated SS59.

The Zodion SS59MPN will directly interchange into existing RTE two part terminal blocks. It may be necessary to add a shorting link dependent upon the existing RTE model and it is strongly recommended that the sensing head be replaced with the new one supplied.

The accepted switching standard throughout the United Kingdom, for part night operation, is midnight off with 5.30 am switch on. The alternative switch off times of 11.00 pm or 1.00 am are available together with the options of no morning switch on, 5.30 am switch on or 6.30 am switch on.

It is necessary to specify your requirements at the time of ordering.

Both the units are very competitively priced and considerable savings can be made against the cost of time switches. Either model will replace a time switch for many applications and the Zodions do not need to be re-set in the event of supply interruption. They will self-correct within 3 days if the supply is interrupted for more than 15 seconds.

There are many areas of the country where considerable monetary savings can be made by judicious application. The pay back period can be less than 27 months dependent upon circumstances and existing switching installations.

The Zodion SS9 can be supplied in kit form containing all the necessary parts for the industrial user, contracting electrician or home handyman.

The load switching output triac is a twenty ampere device but to avoid any heat dissipation problems, together with the sometimes difficult start characteristics, the unit is rated at single lamp source of up to and including 400 watt H.P.S. SON. For multiple SON lamp sources or greater loads a load switch contactor is advised.

Fisher Karpark Industries
Gratrix Works, Gratrix Lane,
Sowerby Bridge, West Yorkshire HX6 2PH

Telephone: Halifax (0422) 833533
Telex: 51122

A DIVISION OF FKI ELECTRICALS PLC.

