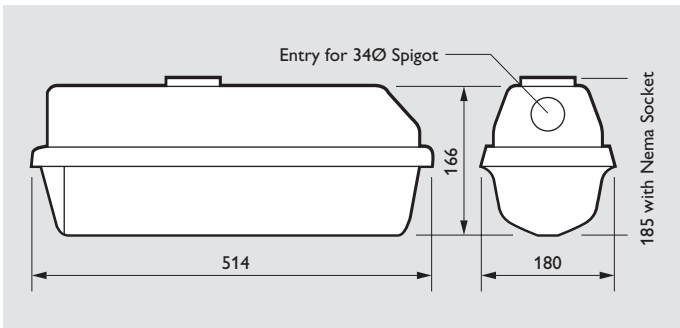


XGS 104 (previously referred to as SXK36)



Easy Design Guide

This guide shows how to optimise a mounting position for a particular lighting requirement, and the appropriate mounting position for spread of light. Measurements are in metres.

Mounting Height H	Spacing A*	Distance from wall effectively illuminated B
3.0	12.0	6.0
3.5	14.0	7.0
4.0	16.0	8.0
4.5	18.0	9.0
5.0	20.0	10.0
5.5	18.0	9.0
6.0	16.0	8.0

*Spacings are calculated to achieve a minimum average horizontal illuminance of 10 lux with a 10:1 maximum/minimum uniformity ratio.

XGS 104

A compact wall-mounting security lantern incorporating a SOX-E 36W low-pressure sodium lamp, prewired control gear and integral photocell sensor for automatic dusk-dawn switching, with reeded optics giving light distribution to subsidiary roadlighting standards, suitable for generating a continuous band of light around perimeters.

Main applications

- Industrial areas
- Car parks

Features

- Supplied as a KombiPak, individually packed with everything needed on site including lamp, photocell, prewired gear, mounting bracket, fixing accessories and simple design guide.
- Extremely economical in operation, using less than 20% of the energy of a comparable filament luminaire and lasting at least six times as long.
- Built-in photocell provides dusk-dawn switching, minimizing energy costs without compromising security.
- Prewired control gear is mounted on the canopy.
- The bowl, which is gasket-sealed to the body with the Degree of Protection IP54, is hinged for easy of relamping.

Materials and Finish

Canopy - glass-reinforced polyester; bowl- polycarbonate bowl clips and hinges- stainless steel; gear tray - precoated sheet steel.



Technical/ordering data		
Order code	Lamp	Weight kg
XGS 104 1xSOX-E 36W 240V KP	SOX-E36	3.2
Spares		
BSX355L16	Ballast	-
L4008	Capacitor	-
M180BOWL	Bowl	-
ZWB 103	Wall bracket	-

Supplied as a KombiPak, complete with lamp, prewired control gear and fixing accessories.