



SOLARBEAM 70

Floodlight

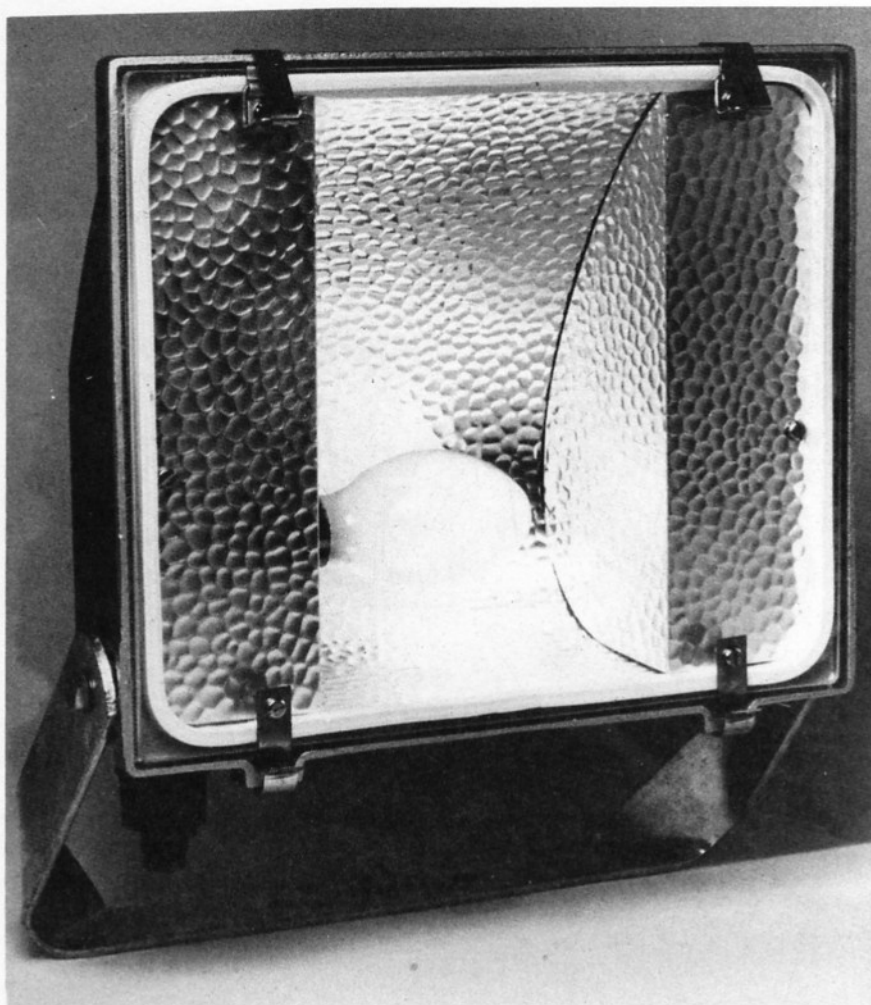
Solarbeam 70 is an integral gear floodlight designed mainly for security lighting where low running cost is of primary importance. However, due to the design of the reflector it is also suitable for lighting vertical surfaces from close offset such as road signs, advertisement hoardings and building facades.

APPLICATIONS

Security lighting
Building facades
Advertisements
Road signs
Public house car parks
Hotel car parks
Public house and hotel facades.

FEATURES

- Corrosion resistant aluminium alloy.
- Electronic starter fitted for rapid re-strike of hot lamp.
- All external fastenings made from stainless steel.
- Integral high power factor control gear for 220 and 240 volt 50Hz supply.
- Supplied complete with lamp.
- Patterned reflector for even light distribution.
- Specially designed polycarbonate terminal chamber for easy wiring.
- IP64 Dust tight and splash proof.



SOLARBEAM 70 F69170

MATERIALS AND FINISH

Body: High pressure die-cast LM6M alloy.

Reflector: Patterned high purity aluminium.

Glass: Frameless toughened and heat resistant.

Stirrup: 5mm galvanised steel with 20mm central and two 11mm holes at 102mm centres.

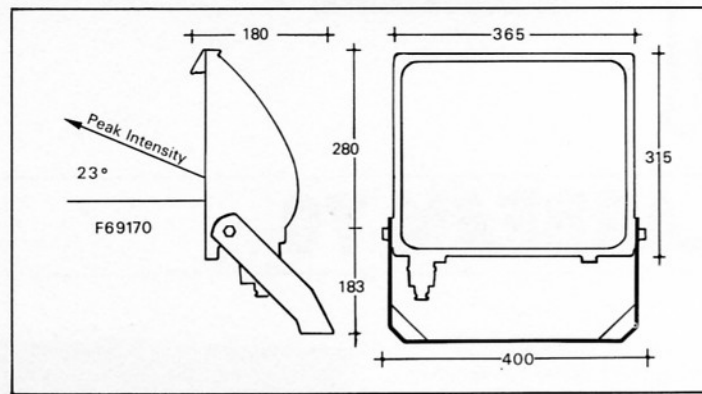
SPECIFICATION

- Complies with BS4533
- Made to Class 1 earthed metalwork.
- I.P. 64

RANGE OF OPERATION

220 and 240v 50Hz supply. May be used both indoors and outdoors.

DIMENSIONS



ABRIDGED PHOTOMETRIC DATA

Lamp		Lighting Design Lumens	Peak Intensity Candelas	Beam Angle to 1/10th Peak			Cut-off Angle		
Watts	Type			Horizontal	Vertical + Peak	Vertical - Peak	Horizontal	Vertical + Peak	Vertical - Peak
70	SON-E	5500	1900	144	51	68	152	53	68

WEIGHTS & ELECTRICAL DATA

Catalogue No.	Lamp Type	Weight Inc. Lamp kg	Circuit Current Amp	Circuit Watts	Lamp Cap
F69170	70 watt SON	8.3	0.42	86	E.S.

ORDERING DATA

Catalogue No.	Description	Packing Quantity
F69170	Integral gear floodlight complete with 70w SON lamp	Individually packed.

Made in U.K.