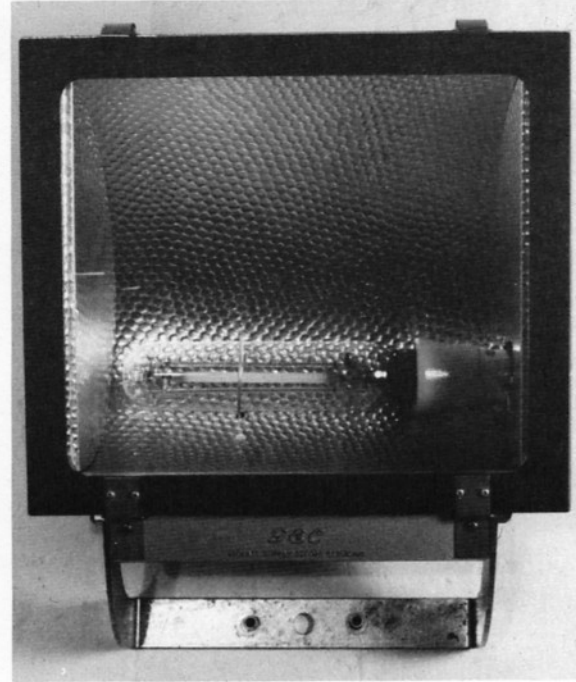
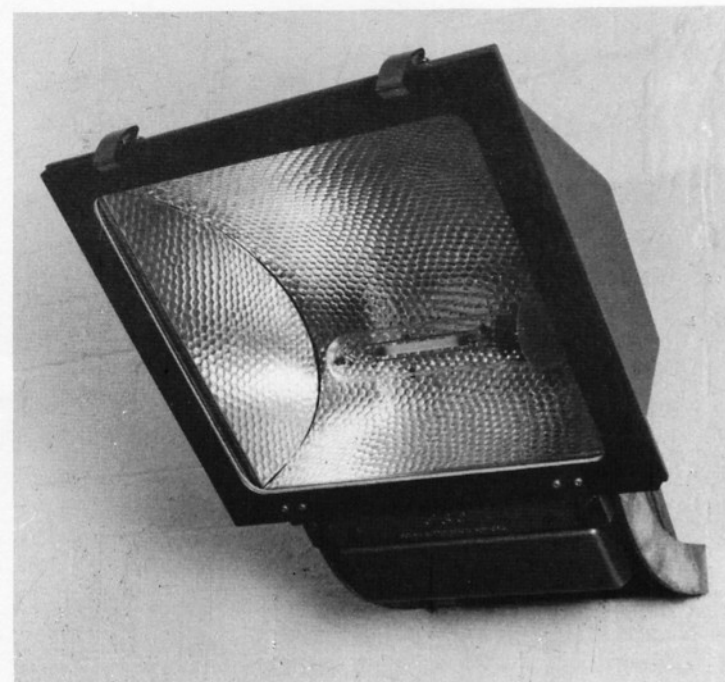




# NEW SOLARFLOOD RANGE

## Floodlights



F69215-F69244

F69600

A range designed to meet the growing demand for floodlights with pre-wired integral control gear. They are suitable for both tubular and elliptical lamps from 150w to 400w. The F69600 does not have integral gear and will take the Solarcolour 600w lamps.

### RANGE

|        |                         |
|--------|-------------------------|
| F69215 | 150w SON                |
| F69221 | 250w MBF                |
| F69225 | 250w SON                |
| F69231 | 310w SON                |
| F69241 | 400w MBF                |
| F69242 | 400w MBI                |
| F69244 | 400w SON                |
| F69600 | All above plus 600w SON |

### FEATURES

- Made from LM6M corrosion resistant aluminium alloy
- Lampholder adjustable so that both tubular and elliptical lamps may be used
- Reflector is an asymmetric parabola, having a peak intensity above the normal, to the glass
- Maximum ambient temperatures Mercury 55°C Sodium 45°C.
- I.P. 64. Dust-tight and splash proof.
- All external fastenings are stainless steel.
- High power factor control gear suitable for 220 and 240v 50Hz supplies

### APPLICATIONS

Car and lorry parks.  
Indoor and outdoor sports  
Building facades  
Shipyards  
Docks  
Security lighting  
Railway yards  
Precinct lighting

**MATERIALS AND FINISH**

**Housing and gear box parts:**  
All castings made from LM6M aluminium alloy.  
**Reflectors:** Hammer finish pure aluminium.  
**External fastenings:** Stainless steel.  
**Glass:** 5mm thick toughened and heat treated.  
**Gaskets:** Silicone rubber.  
**Stirrup:** 5mm galvanised mild steel with 20mm clear central and two 11mm holes at 102mm centres.

**SPECIFICATION**

- Compliance with BS4533.
- International protection category IP64.
- Made to class 1 Earthed Metalwork.

**RANGE OF OPERATION**

Supply voltages:  
220 and 240v 50Hz.

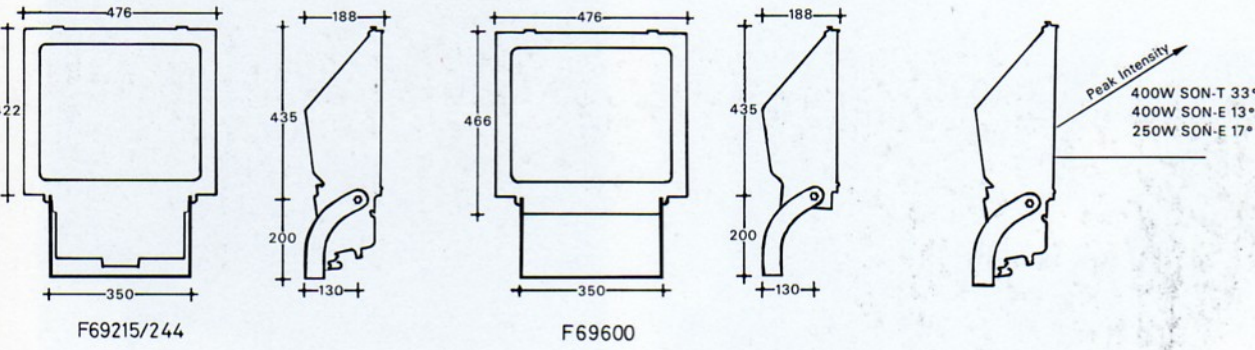
**WEIGHTS**

F69215 – F69244  
complete with lamp 19.2kg  
F69600 complete with lamp 11.2kg

**ELECTRICAL DATA**

For control gear for use with the F69600 refer to the pages on pre-wired gear boxes.

**DIMENSIONS**



**ABRIDGED PHOTOMETRIC DATA**

| Lamps      | Peak Intensity per 1000 Lumens Candelas | Beam Angle to 1/10th Peak |            |            | Cut-off Angle |            |            |
|------------|---|---------------------------|------------|------------|---------------|------------|------------|
|            |   | Horizontal                | Vertical   |            | Horizontal    | Vertical   |            |
|            |   |                           | Above Peak | Below Peak |               | Above Peak | Below Peak |
| 250W SON-E | 290                                     | 156°                      | 60°        | 67°        | 160°          | 63°        | 72°        |
| 400W SON-E | 282                                     | 134°                      | 65°        | 67°        | 160°          | 67°        | 69°        |
| 400W SON-T | 580                                     | 130°                      | 35°        | 66°        | 170°          | 37°        | 68°        |

**ORDERING DATA**

| Catalogue Nos.   |                          |   | For lamp types   | Packing quantity     |
|--|--------------------------|---|--|----------------------|
| Complete Flood   | Flood with Gear Box Body | HPF Prewired Gear Tray Lid  |  |                      |
| F69215<br>F69221<br>F69225<br>F69231<br>F69241<br>F69242<br>F69244 | All F69234               | F69151S<br>F69251M<br>F69251S<br>F69311S<br>F69401M<br>F69401C<br>F69401S | 150w SON<br>250w MBF<br>250w SON<br>310w SON<br>400w MBF<br>400w MBI<br>400w SON | Individually packed. |
| F69600   | -                        | -   | 150w to 600w   | Individually packed. |

Made in U.K.

For additional technical information, apply to Marwood Electrical Company Limited