

Exterior and Street Lighting

Introduction

This section describes a wide range of fittings for exterior lighting and floodlighting, and the full range of street lighting fittings.

Bulkhead and wellglass fittings include the well known Renown and Dreadnought types, suitable for use in Division 2 areas, and the OB vandal-proof fluorescent bulkhead which has proved its worth in many situations.

The Escort and Patio ranges of wellglass fittings are suitable for situations demanding a more decorative treatment. Floodlighting equipment covers almost all requirements, from the miniature 150W Minifloods and the Sun 500 and 1000 fittings for general lighting, through the Haline and 400W Area floodlights to the Linear Halide and CSI sealed beam floodlights used in unusual and rigorous situations.

The street lighting fittings and columns described in these pages are used all over the world, and there is a type suitable for every kind of road from motorways to country lanes. The Precinct is an attractive fitting for both street lighting and bulkhead applications.

IMPORTANT

Fittings shown in the Outdoor Lighting section of this catalogue are designed to be weatherproof and suitable for operation in ambient temperatures not exceeding 15°C in accordance with current British Standard Specifications.

When used indoors in situations involving higher ambient temperatures, performance may be impaired and we do not recommend such applications without our prior agreement.

Index

2:2
2:3
2:4
2:5
2:6
2:7
2:8

2:9
2:10, 2:11
2:12, 2:13
2:14
2:15
2:16
2:17
2:18
2:19
2:20
2:21

2:22
2:23
2:24, 2:25
2:26
2:27
2:28

2:29
2:30
2:31
2:32
2:33
2:34

2:35

2:36
2:37, 2:38
2:39
2:40

2:41
2:42
2:43
2:44
2:45
2:46
2:47

Exterior Lighting

Renown Division 2 wellglass
Dreadnought Division 2 bulkhead
Kolorlux bulkhead fitting
Escort tungsten bulkhead
Escort fluorescent bulkhead
Escort wellglass
Escort Patio

Floodlighting

Minifloods
Sunflood tungsten-halogen
Haline tungsten-halogen
M25 junior floodlight projector
M25F floodlight projector
Grenville Division 2 floodlight
M28 light duty floodlight
Area floodlight
M30 linear sodium floodlight
750/1600W MBIL floodlight
1000W CSI sealed beam floodlight

Street Lighting

Group A

Numbering system
Alpha One semi-cut-off sodium
Alpha Three
Alpha Five semi-cut-off sodium
Alpha Six cut-off sodium
Alpha Nine semi-cut-off sodium

Group B

Beta Four top entry GLS/mercury
Beta Five side entry sodium
Beta Six side entry fluorescent
Beta Seven side entry mercury
Beta Eight side entry sodium
Precinct

Group A

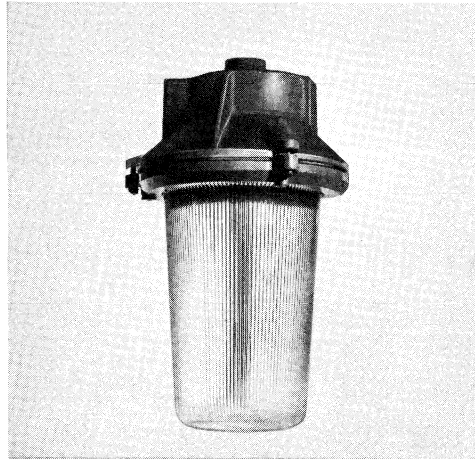
Gamma Three mercury/fluorescent

Group B

Gamma Five GLS/mercury
Gamma Six GLS/sodium/mercury
Gamma Seven GLS/mercury
Gamma Eight GLS/sodium/mercury

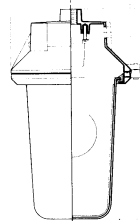
Miscellaneous

High tower lantern
Leader and Lucerna columns
Classic and Sheerline columns
10m Aluminium columns
12m Aluminium columns
Brackets
Aluminium wall brackets and boxes



DRN T160

190mm
7.5in

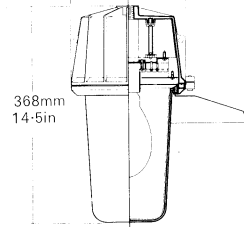


343mm
13.5in



DRN T125

190mm
7.5in



368mm
14.5in

BASEEFA certified wellglass fitting for Division 2 areas, dust-tight, rainproof and proof against most corrosive atmospheres, fitted with internal choke to take 80 or 125W MBF lamps. The finned body and bezel are constructed of die-cast aluminium alloy, LM6-M. The heat resisting glass with diffusing flutes is cemented to the bezel, which is retained by Allen Head stainless steel screws and sealed by a neoprene gasket.

A smaller version of the fitting, using the same glass, is available for tungsten or mercury-blended lamps (150/200W GLS or 160W MBTF).

Secondary suspension holes are provided in two of the cooling fins. Standard stock fittings: Top entry tapped 20mm conduit or twin 20mm side (adjacent) entry with removable plug. Safety cord fitted between main body and bezel.

All fittings are suitable for 240V 50Hz supplies.

Made to BS 4533-2.1
BASEEFA certificate no. 72057

Nomenclature:
S—2 x 20mm side entry
T—1 x 20mm top entry
C—Ceiling fixing strap

Optional extras and spares

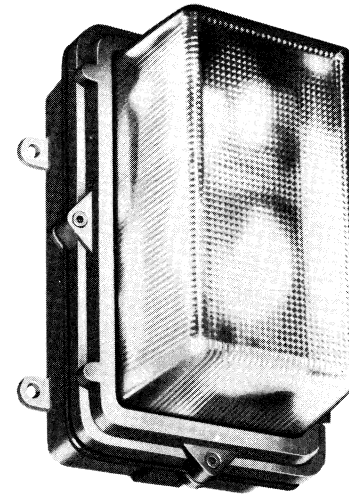
Catalogue no.	Description
DRN C	Ceiling fixing strap
DRN R	Vitreous enamel external reflector
DRN W	Wire guard
DRN G	Spare glass

Range

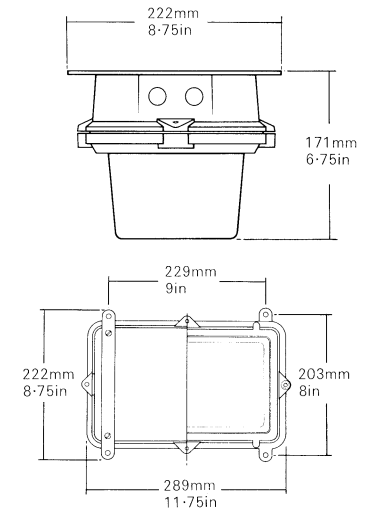
Complete fitting

Rating	Lamp type	Catalogue no.	Cable entry	Approx. weight	
				kg	lb
80W	MBF	DRN T80	Top	7.3	16
80W	MBF	DRN S80/C	Twin (adjacent) side	7.3	16
125W	MBF	DRN T125	Top	7.3	16
125W	MBF	DRN S125/C	Twin (adjacent) side	7.3	16
200W	GLS	DRN T160	Top	3.6	8
200W	GLS	DRN S160/C	Twin (adjacent) side	3.6	8
160W	MBTF	DRN T160	Top	3.6	8
160W	MBTF	DRN S160/C	Twin (adjacent) side	3.6	8

Note change of catalogue numbers with issue of BASEEFA certificate



DDR E50



BASEEFA certified fitting for Division 2 areas, rainproof, dust-tight and suitable for use in most chemically corrosive atmospheres. Bulkhead fitting in die-cast aluminium alloy LM6-M treated and stove enamelled grey. Bezel frame with neoprene gasket carrying glass is screwed to body by four Allen Head stainless steel screws. Internal choke and reflector provided for MBF lamps. Inside of fitting is sprayed white for MBTF and tungsten lamps.

With three-way terminal block, ES lampholder and fixing straps with 1/4 in dia. clear fixing holes. Recommended burning position for MBTF and GLS lamps: Cap up. Cable/mains entry via 2 x 20mm adjacent entries, one with removable plug. All fittings are suitable for 240V 50Hz supplies.
Made to BS.4533-2.1
BASEEFA certificate no. 72061
Catalogue nomenclature:
E—2 x 20mm (adjacent)

Range

Complete fitting

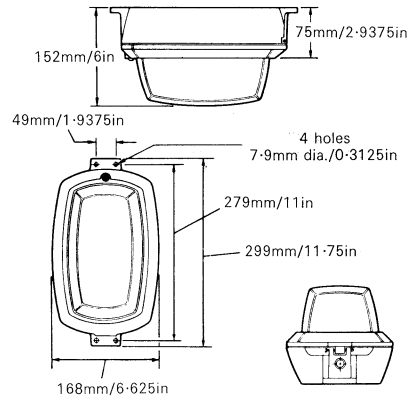
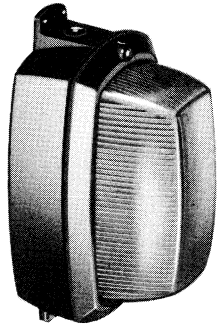
Rating	Lamp type	Catalogue no.	Cable entry	Approx. weight	
				kg	lb
50W	MBF	DDR E50	Twin (adjacent) entries	6.35	14
80W	MBF	DDR E80	Twin (adjacent) entries	6.35	14
200W	GLS	DDR E160	Twin (adjacent) entries	4.54	10
160W	MBTF	DDR E160	Twin (adjacent) entries	4.54	10

Optional extras and spares

Catalogue no.	Description
DDR W	Wire guard
DDR G	Spare glass

Note change of catalogue numbers with issue of BASEEFA certificate

Kolorlux bulkhead fitting



Description

The 50W MBF/U bulkhead has a body cast in corrosion resistant LM6 aluminium alloy with light control provided by a prismatic diffuser held firmly in position by a hinged glazing ring. The polycarbonate diffuser is held against the ring by clips. The ring seats on to a tubular neoprene gasket cemented firmly into a recess in the cast body. The cast metalwork has a sprayed aluminium finish on the exterior and the interior is painted white.

The control gear is fixed directly to the back of the casting inside, together with a porcelain terminal block suitable for looping 7 x 0.036in cable. A separate earth terminal is provided. An ES porcelain lampholder is mounted in front of a diffused aluminium reflector. The reflector is slotted at one end and has a keyhole slot at the other so that it can be easily removed from its two locating screws. A separate earth wire is provided to earth the reflector.

Alternative version

An alternative gearless version suitable for 150W GLS has a porcelain ES lampholder mounted on an easily removable bracket with a separate earth terminal on the casting. Insulating sleeves are provided to protect the incoming cable.

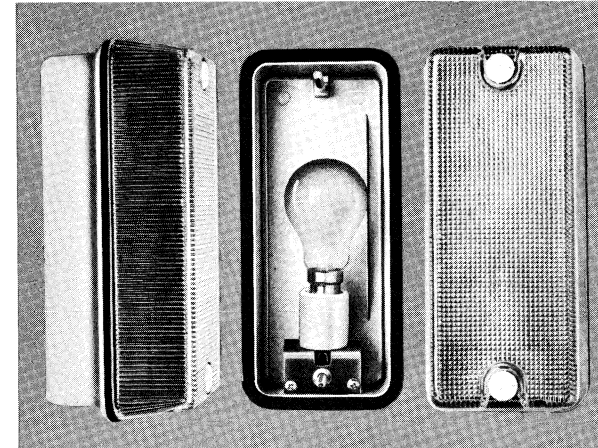
Division 2 type

Generally as above but fitted with enclosed break ES lampholder. Mains connector has clamp type terminals. Maximum 100W.

Catalogue no.	Description	Type	Lamp
TG 4075	MBF/U prismatic bulkhead complete with 240V gear	Standard	50W MBF/U ES cap
TG 4208	GLS prismatic bulkhead less gear	Standard	100/150W GLS ES cap
TG 4209	MBF/U prismatic bulkhead complete with 240V gear	Division 2	50W MBF/U ES cap
TG 4210	GLS prismatic bulkhead less gear	Division 2	100W GLS ES cap
TG 4069	Spare Polycarbonate front	—	—

Weight: with gear 4.76kg/10.5lb; less gear 2.5kg/5.5 lb
Entry: 19mm/0.75in ET conduit top and bottom.

Escort tungsten bulkhead



Escort bulkhead

APPLICATION

Bulkhead fittings for incandescent light source in a pleasing style. Well made and efficient, sets new standards of simplicity in installation and servicing, with prolonged periods between maintenance. The shallow, square styling is simple and attractive, blending well with any wall finish or decorative scheme.

Low initial cost is a feature of the miniature incandescent bulkhead fittings, which are particularly suitable for installations where manual or time switch control is in operation.

Description

Completely weatherproof and protected against corrosion, these fittings have lattice glass diffusers and are much shallower than most. They incorporate an anti-theft locking device.

Lamps

40-100W GLS BC or ES
Glass diffuser The replaceable prismatic diffuser is retained in position by two captive vandal-proof nylon screws. The diffuser fits outside the lip of the body casting and closes onto a neoprene gasket for weatherproofing.

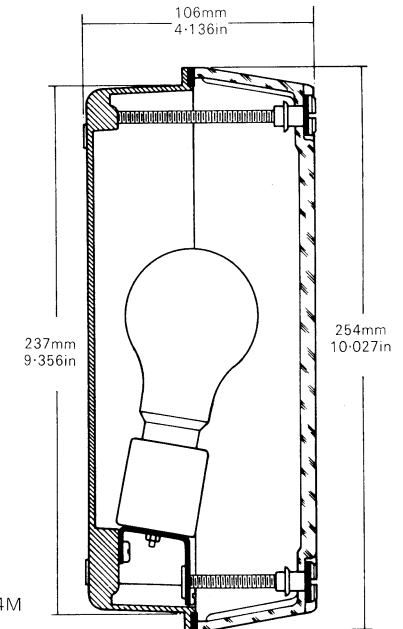
Body casting This is a pressure die-cast aluminium alloy in LM24M grey enamel hammer finish. A conduit entry knockout is provided at the lampholder end. There is also provision for Besa box and conduit entry at the back. The units can be either semi-recessed or surface mounted.

Catalogue no.

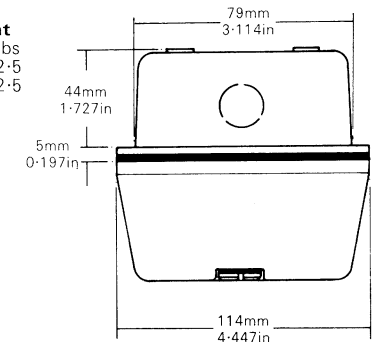
OLG 1100 BC
OLG 1100 ES

Weight

kg	lbs
1.13	2.5
1.13	2.5



CROSS SECTION AND DIMENSIONS



Note: Maximum recommended lamp wattage 100W

Escort fluorescent bulkhead

Application

A tough, stormproof fitting for surface or recess mounting anywhere outdoors.

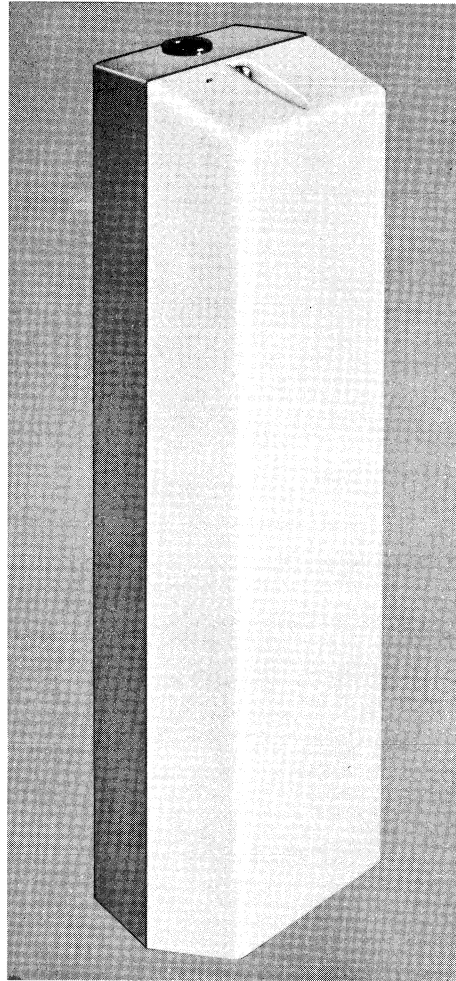
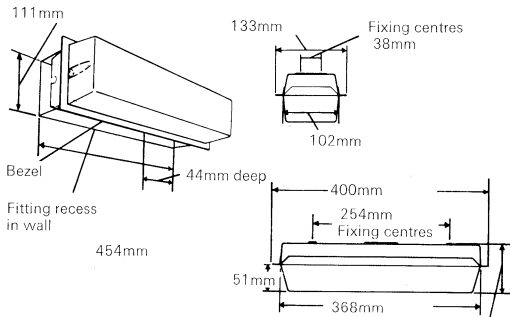
Description

The fitting comprises pressure die-cast aluminium body with high impact acrylic cover (wire guards are not a necessary accessory with this unit).

The opal cover is secured with two captive screws opened only by a special key provided with each fitting and is retained when open with a plastic toggle. Switchstart gear for 2 or 3 8W 300mm/12in fluorescent T5 lamps is mounted under a hinged reflector tray. Stock fittings are LPF (single lamp versions and HPF 2 lamp versions are available to special order).

For easy installation the die-cast body includes $\frac{3}{4}$ in ET entries at ends and $\frac{3}{4}$ in knockout in centre back (two plugs are provided). Wireways are cast in from the end entries to the central terminal block as well as alternative drill indents for fixing holes. Tubes are packed with each fitting for convenience. A bezel trim is available for use when the bulkhead is recessed.

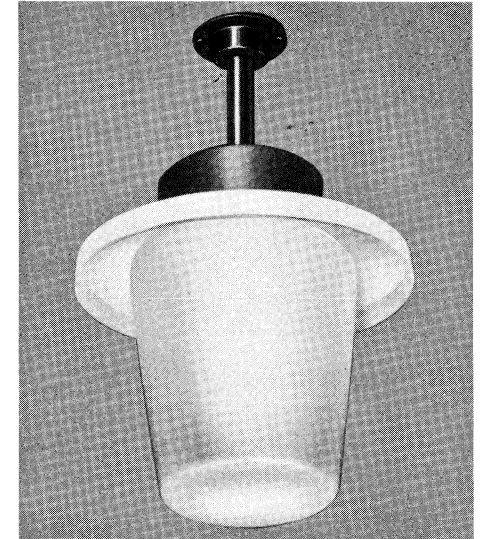
See also page 1:84 for Emergency lighting application.



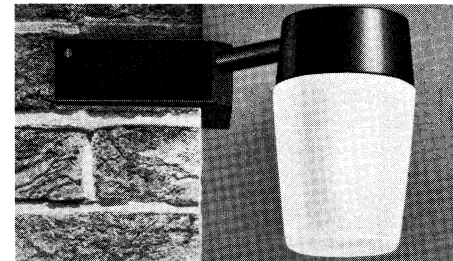
RANGE		92mm Escort fluorescent bulkhead	
Catalogue no.	Description	kg	Weight lb
OBD 2008	2 lamp parallel wired SS circuit LPF, 2 x 8W 300mm/12in fluorescent tubes with acrylic diffuser	2.03	4.5
OBD 3008	3 lamp parallel wired SS circuit LPF, 3 x 8W 300mm/12in fluorescent tubes with acrylic diffuser	2.26	5.0
OBV 2008	2 lamp parallel wired SS circuit LPF, 2 x 8W 300mm/12in fluorescent tubes with polycarbonate diffuser	2.03	4.5
OBV 3008	3 lamp parallel wired SS circuit LPF, 3 x 8W 300mm/12in fluorescent tubes with polycarbonate diffuser	2.26	5.0
SPARES			
OBD	Spare acrylic diffuser	0.68	1.5
OBV	Spare anti-vandal diffuser	0.68	1.5
ACCESSORIES			
OBK	Bezel trim	269	9.3
OBK	Diffuser fixing key	7	1

Escort wellglass

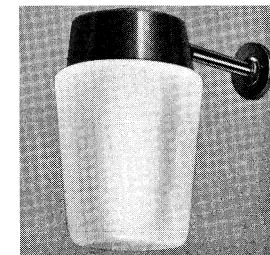
These Wellglass fittings are available in two sizes, suitable for 60/200W tungsten lamps and 80/125W mercury vapour lamps. They utilise a screw neck gallery of cast aluminium alloy (LM6-M) construction suitable for either side or top entry. The latter is also suitable for direct Besa box mounting. The two sizes of glass cater for 100W or 200W ratings but employ a common screw neck detail to match the galleries. This is internally etched and is fitted complete with a weatherproof seal. A white nylon reflector may be fitted if required over the screw neck of the glassware and is available to both sizes. For wall or corner mounting, bracket assemblies are available for use with the side entry gallery.



EMF 1200 top entry with EKR 200 reflector and EKB bracket



EKF 1100 side entry using EKC corner bracket



EKF 1200 side entry using EKB wall bracket

RANGE:

Catalogue no.	Type	GLS lamp	MBF lamp	Lampholder	Diameter mm	in	Height mm	in	Weight kg	lb
EKF 1100	Side entry	60/100W	—	BC	114	4.5	187	7.37	0.9	2
EMF 1100	Top entry	60/100W	—	BC	114	4.5	187	7.37	0.9	2
EKF 1200	Side entry	150/200W	80/125W	ES	146	5.75	235	9.25	1.02	2.25
EMF 1200	Top entry	150/200W	80/125W	ES	146	5.75	235	9.25	1.02	2.25

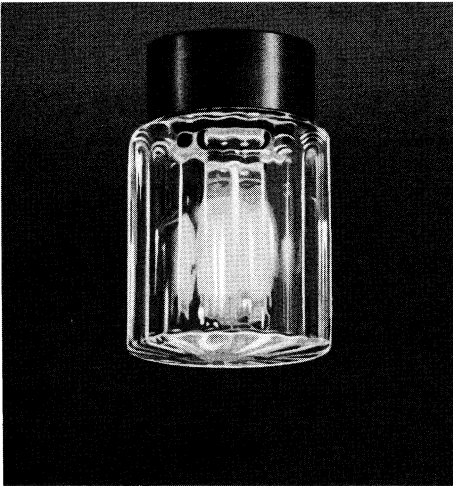
Attachments

Catalogue no.	Type	Lamp watts	Dimensions mm	in	Weight g	oz
EKR 100	Reflector	60/100	184	7.25 diameter	85	3
EKR 200	Reflector	150/200	219	8.62 diameter	59	2
EKB	Wall bracket	—	120	4.75 length	113	4
EKC	Corner bracket	—	152	6 square	340	12
			120	4.75 projection		

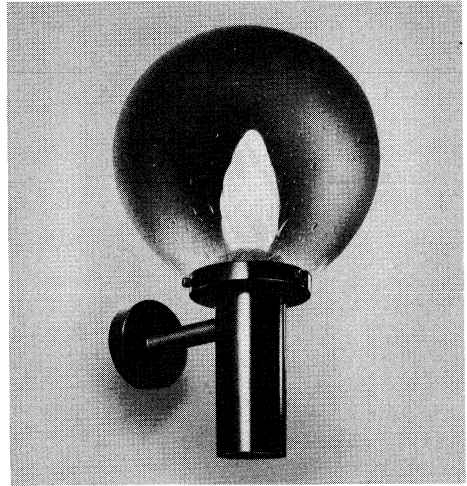
				kg	lb	
EKG 100	Replacement glass	60/100	114	4.5 diameter	0.57	1.25
EKG 200	Replacement glass	150/200	146	5.75 diameter	0.9	2.0

All fittings comply with BS.3820

Escort Patio



WPC R 1060 BC



WPW A 1060 BC

The Escort Patio range comprises two fittings and three alternative glasses.

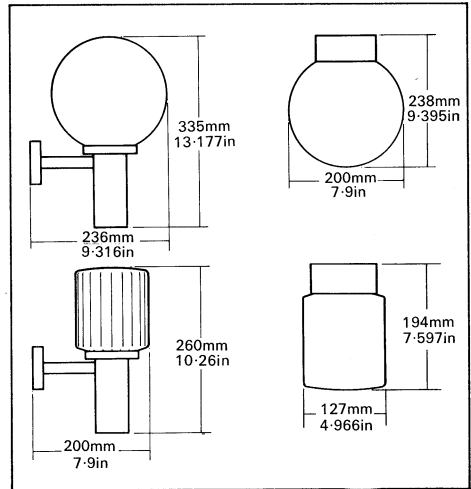
Fittings

The fittings have a matt black, weather resistant and non-corrosive finish. Each fitting has a 2BC lampholder as standard (ES lampholder is available).

The fittings take a 60W lamp, standard GLS or decorative shape.

Glassware

The glasses are interchangeable and available in two shapes, cylindrical and spherical. The cylindrical glass is ribbed with a clear finish. The spherical glasses are either amber aerated or white opal.



RANGE

Catalogue no.	Description	Weight		Catalogue no. Metalwork	Catalogue no. Glass
		kg	lb		
WPC A 1060 BC	Under-canopy fitting with amber aerated spherical glass	1.46	3.25	WPC 1060 BC	WPA
WPC R 1060 BC	Under-canopy fitting with ribbed cylindrical glass	1.46	3.25	WPC 1060 BC	WPR
WPC S 1060 BC	Under-canopy fitting with opal spherical glass	1.46	3.25	WPC 1060 BC	WPS
WPW A 1060 BC	Wall bracket with amber aerated spherical glass	1.58	3.5	WPW 1060 BC	WPA
WPW R 1060 BC	Wall bracket with ribbed cylindrical glass	1.58	3.5	WPW 1060 BC	WPR
WPW S 1060 BC	Wall bracket with opal spherical glass	1.58	3.5	WPW 1060 BC	WPS

SPARE GLASSES

WPA	Amber aerated spherical glass	0.9	2.0
WPR	Ribbed cylindrical glass	0.9	2.0
WPS	Opal spherical glass	0.9	2.0

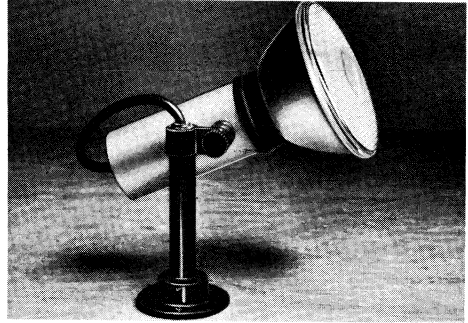
The Miniflood is a weatherproof lampholder housing and mounting assembly for exterior application designed for use with the 150W mains voltage sealed reflector spot or flood lamp.

Description

The basic unit supplied with various forms of mounting comprises a satin finished extruded aluminium case housing a ready wired ES lampholder. Weather-proofing is completed by a silicone rubber sealing ring between case and lamp. Adjustment and locking are by means of a slotted thumb screw.

The ER 1150 is wired for connection to conduit installations with an alternative wall mounting bracket EKB and a corner mounting bracket EKC being available.

The M36 1150 is supplied with 1.8m/6ft of PVC 3-core cable and a black polythene coated steel bracket which allows fixing to conduit or by woodscrew, as well as free standing.



ER 1150 Miniflood using EKB flat wall bracket



M36 1150 Miniflood

RANGE

Catalogue no.	Description	Weight	
		g	oz
ER 1150	Miniflood (less brackets, less lamp)	399	14
M36 1150	Miniflood (with brackets, less lamp)	512	18
EKB	Flat wall bracket	113	4
EKC	Corner bracket	340	12

Dimensions

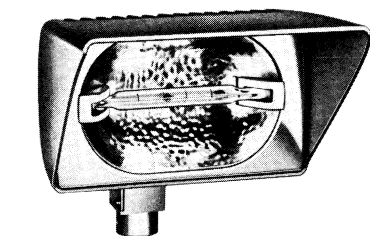
Catalogue no.	Length		Height		Diameter	
	mm	in	mm	in	mm	in
ER 1150 incl. lamp	191	7.5	—	—	121.5	4.75
M36 1150 incl. lamp	191	7.5	—	—	121.5	4.75
M36 1150 mounting bracket	105	4.125	132	5.1875	—	—

Lamps

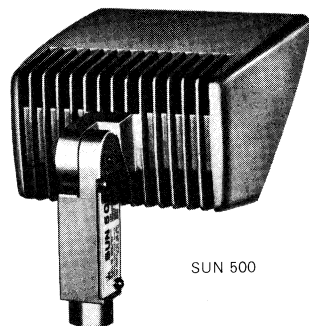
	Type	Watts	Volts	Cap
Sealed beam reflector lamps (Par 38)	Spot	150	220/230, 240, 250	ES
Sealed beam reflector lamps (Par 38)	Flood	150	220/230, 240, 250	ES
Color-ray sealed beam reflector lamps (Par 38)	Spot	150	220/230, 240, 250	ES

Standard colours: blue, green, red and yellow

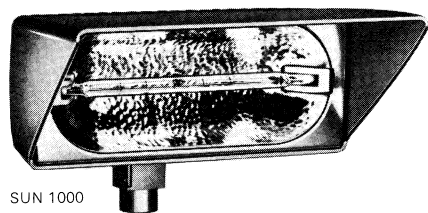
Sunflood 300/1000W tungsten-halogen floodlights



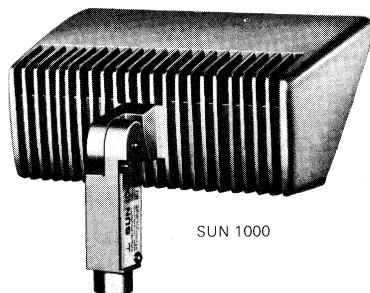
SUN 500



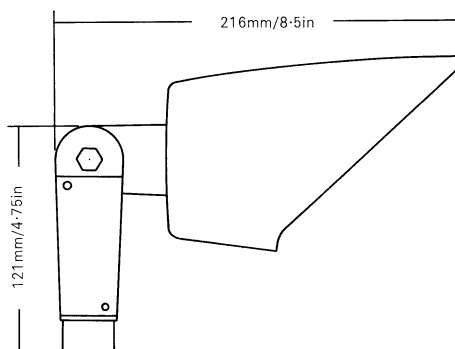
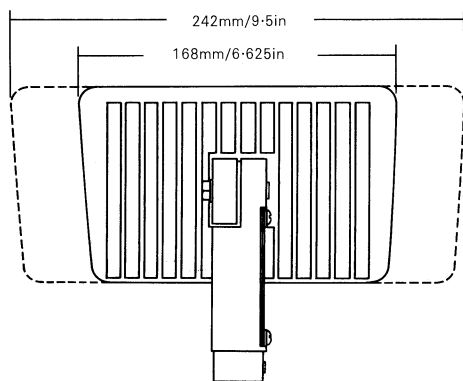
SUN 500



SUN 1000



SUN 1000



Description

The main body, with specially designed cooling fins, and the terminal block housing are pressure die-cast in LM6-M aluminium alloy. The reflector is of magnesium alloy, hammer finished, chemically brightened, and anodized.

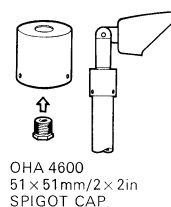
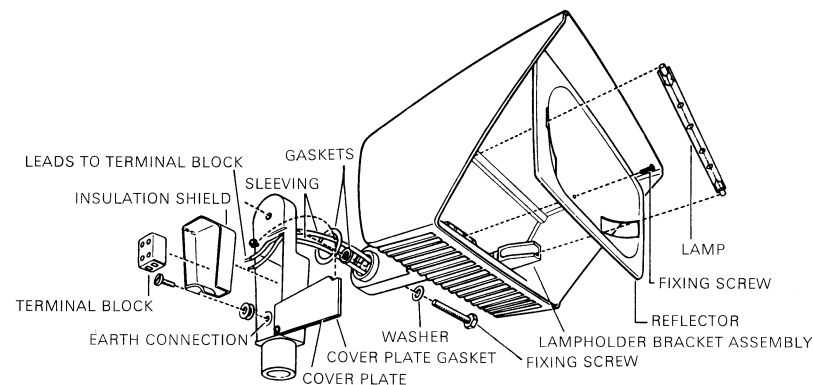
The lampholders consist of single fine silver 'button' contacts, mounted on nickel-silicon-copper alloy leaf springs, tempered, plated and housed in porcelain shrouds. Wiring is carried out with special heat-resisting cable.

All fixing screws are of stainless steel. The two-way porcelain terminal block is completely insulated by a moulded polypropylene shield. An earth terminal is provided.

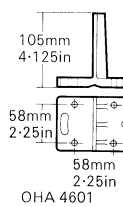
Range

Catalogue no.		Weight
SUN 500/LL	Sunflood fitting 300/500W less lamp	1.02kg 2.25lb
SUN 1000/LL	Sunflood fitting 750/1000W less lamp	1.36kg 3lb
SUN 500	Sunflood fitting packed with 240V 500W lamp	—
SUN 1000	Sunflood fitting packed with 240V 1000W lamp	—

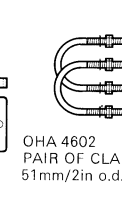
Sunflood 300/1000W tungsten-halogen floodlights



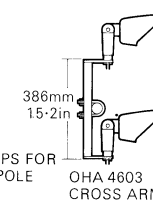
OHA 4600
51 x 51mm/2 x 2in
SPIGOT CAP



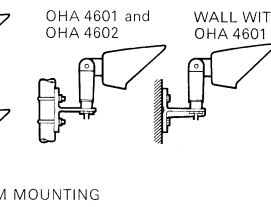
OHA 4601
WALL-FLOOR-POLE MOUNTING BRACKET



OHA 4602
PAIR OF CLAMPS FOR
51mm/2in o.d. POLE



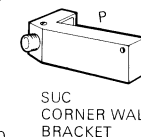
OHA 4603
CROSS ARM MOUNTING



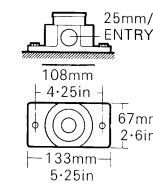
OHA 4601 and
OHA 4602
WALL WITH
OHA 4601



WIRE GUARD
FOR SUN 500
SUW500
FOR SUN 1000
SUW1000



SUC
CORNER WALL
BRACKET



25mm/1in ET
ENTRY
108mm
4.25in
67mm
2.6in
133mm
5.25in
OHA 4604
FLOOR MOUNTING WITH
AZIMUTH ADJUSTMENT

Accessories

A comprehensive range of mounting accessories is available, catering for most mounting requirements. Designed for simple fixing, they are interchangeable throughout the range. Mounting accessories are attached to the 3/8in ET tapped entry boss. Accessories are supplied in a plastic bag containing all the necessary components.

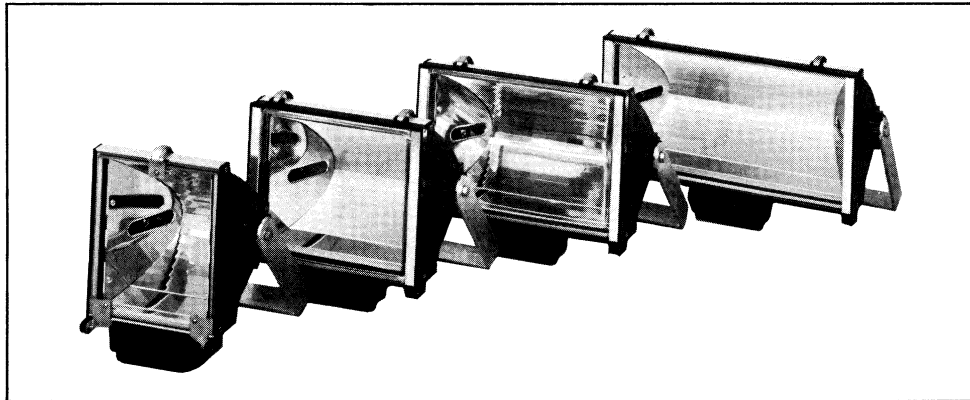
Catalogue no.		Weight kg
OHA 4600	Spigot cap for 51mm/2in o.d. pole	0.241
OHA 4601	Mounting bracket for pole, wall or floor	0.340
OHA 4602	Pair of 'U' clamps for use with HA 4601	—
OHA 4603	Cross-arm bracket for 51mm/2in o.d. pole	0.480
OHA 4604	Floor bracket	—
SUC	Corner wall bracket	—

Spares

Lamp protection can be afforded by the provision of a Sunflood wire guard. It is available for both sizes of Sunflood. The wire guard is made of stainless steel and is clip hinge fixed for easy maintenance. Spare reflectors and lampholder assemblies are also available.

Catalogue no.	
SUL500	Lampholder assembly for Sun 300/500 (comprises one bracket, two lampholders and leads)
SUL1000	Lampholder assembly for Sun 750/1000 (comprises one bracket, two lampholders and leads)
SUR500	Reflector for Sun 300/500
SUR1000	Reflector for Sun 750/1000
SUW500	Wire guard for Sun 300/500
SUW1000	Wire guard for Sun 750/1000

New Haline 300/500/750/1000/1500/2000W tungsten-halogen floodlights



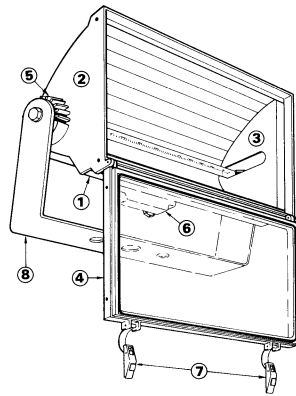
Application

Suitable for area lighting, buildings, precincts, stadia, car parks, forecourts or any purpose where a wide horizontal beam spread and accurate vertical beam control are required.

Description

One-piece reflector/body of extruded aluminium featuring asymmetrical, faceted reflector profile. This construction gives rigidity and accuracy for the best and most consistent optical performance. Reflectors are finished polished (specular) or matt (diffuse) and provided with polished aluminium end diaphragms for improved light distribution. Die-cast LM6-M aluminium alloy end plates enclose the fitting and carry lampholders. The cool wiring box is made of glass filled epoxy resin and polycarbonate for the base and lid respectively, and contains an easy access terminal block, cable clamp and neoprene gasket complete with gland suitable for 6-11mm O/D cable. Access for relamping is obtained via the hinged silicone rubber gasketed front frame and glass secured with catches on all fittings. Full weatherproofing is provided by dished borosilicate glasses on 750-1500W sizes and by flat glasses on 300/500W and 200W sizes. Lampholders feature solid fine silver contacts for long and trouble-free life.

- 1 BODY AND REFLECTOR
- 2 END CASTING
- 3 END DIAPHRAGM
- 4 FRAME AND GLASS ASSEMBLY
- 5 STIRRUP BOSS
- 6 COOL WIRING BOX
- 7 SECURING CATCH
- 8 STIRRUP MOUNTING BRACKET

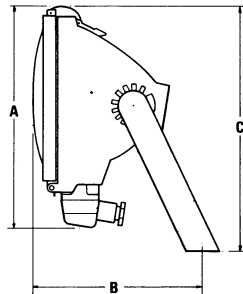


Exterior finish

Reflector/body is matt aluminium, castings matt black, glazing trim anodized aluminium, screws and catches stainless steel. The New Haline OHS/D 500 and OHS/D 1000 are suitable for 120/240 volts; the remainder of the range is suitable for 200-250 volt supply only.

Mounting

A 25° cranked stirrup is standard to the complete range allowing floor, wall or pendant mounting and adjustment in two planes.



Catalogue no.	Watts	Weight kg	Height A mm	Depth B mm	Overall Height C mm	Length mm
OHS/D 500	300/500	2.9	272	190	296	237
OHS/D 1000	750/1000	4	272	190	296	309
OHS/D 1500	1500	4.7	272	190	296	374
OHS/D 2000	2000	4.9	272	190	296	450

OHS = Specular reflector OHD = Diffuse reflector

New Haline 500/750/1500/2000W tungsten-halogen floodlights

FITTINGS

Catalogue no.	Lamp description
OHS 500	500W Specular reflector
OHD 500	500W Diffuse reflector
OHS 1000	750/1000W Specular reflector
OHD 1000	750/1000W Diffuse reflector
OHS 1500	1500W Specular reflector
OHD 1500	1500W Diffuse reflector
OHS 2000	2000W Specular reflector
OHD 2000	2000W Diffuse reflector

ACCESSORY PACKS SUITABLE FOR ALL NEW HALINES

Catalogue no.	Description	Weight kg
OHA 4600	51mm 2in O/D spigot cap, pole top mounting	0.241
OHA 4601	Multi-use mounting bracket	0.340
OHA 4603	Cross-arm mounting	0.480
OHA 4606	Hood 750/1000W for OHS/OHD 1000	0.142
OHA 4607	Hood 1500W for OHS/OHD 1500	0.149
OHA 4608	Hood 2000W for OHS/OHD 2000	0.150
OHA 4609	Wing universal, all sizes except OHS/OHD500	0.085
OHA 4612	76mm/3in O/D spigot cap, pole top mounting	0.354
OHA 4613	Universal pole clamp, for poles 48-89mm/ 2-3.5in O/D	0.480
OHA 4614	2-replacement lampholder contact	0.028

Accessories

Accessories are supplied packed in plastic bags containing all necessary components as follows:

OHA 4600 51mm/2in Spigot Cap

Pack contains one 51mm x 51mm/2in x 2in spigot cap and HEX head steel bush, washer and nut. Cap is attached to stirrup with bush and nut and wiring fed through it.

OHA 4601 Multi-use Mounting

Pack contains bracket, bush, washer and nut used for wall mounting.

OHA 4603 Cross-arm Mounting

Pack contains bracket, two bushes, washers and nuts and one pair of OHA 4602 clamps for mounting two fittings, one above the other, on a single horizontal 51mm/2in O/D bracket arm.

OHA 4606/8 Hood

Pack contains hood and four stainless steel screws. Used to control upward light. Attached to glazing-frame with longer screws provided.

OHA 4609 Wing

Pack contains one wing and two screws. Used to control side light. Attached to glazing-frame with longer screws provided.

NOTE: Not available for OHS/OHD 500.

OHA 4612 76mm/3in Spigot Cap

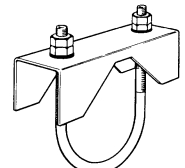
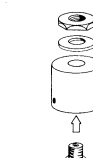
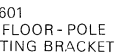
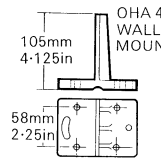
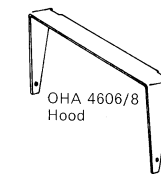
Pack contains one 76mm x 76mm/3in x 3in spigot cap and Hex head steel bush, washer and nut. Cap is attached to stirrup with bush and wiring fed through it.

OHA 4613 Universal Pole Clamp

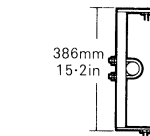
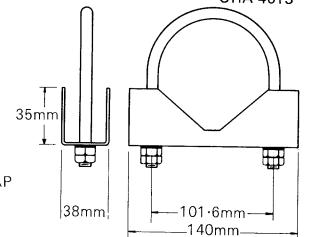
Pack contains one clamping strap, a U-bolt and two nuts with washers and is capable of fixing on 51-89mm/2-3.5in O/D pole without adjustment.

OHA 4614 Replacement Lampholder Contact

Pack contains two contact assemblies with cable for 2000W size. Cable cut to length during installation for OHS/OHD 500, 1000 and 1500.



UNIVERSAL POLE CLAMP
OHA 4613



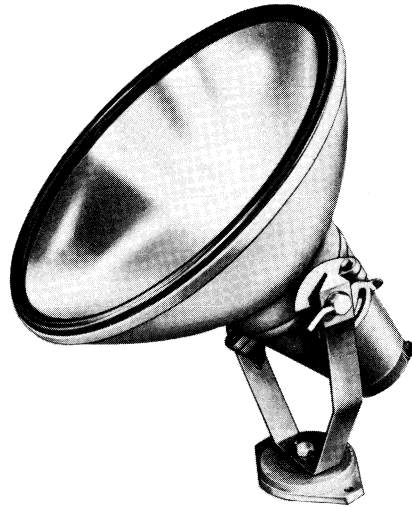
OHA 4603
CROSS-ARM MOUNTING



OHA 4614

REPLACEMENT LAMPHOLDER CONTACT

M25 junior floodlight projector



M25 junior floodlight

Description

The projector is of robust construction and made from first quality materials, selected to withstand corrosive atmospheres found in industrial locations. The projector comprises six major components.

A reflector spun from super purity aluminium, polished and anodised, is secured internally to an aluminium alloy ring casting which itself is pivoted in a galvanised steel stirrup assembly.

A heat-resisting front glass cover secured into the reflector by a neoprene gasket makes a weatherproof seal.

Gasketed and fastened to the body casting by stainless steel studs and wing nuts through slotted cast-on lugs, is an easily removable lampholder housing at the base of which is a detachable cast cover plate.

To complete the assembly, an auxiliary reflector is fixed between main reflector and main body casting; a GES lampholder, on a

plated steel bracket, is fixed to the appropriate pre-set focus position; and the cover plate end cap encloses a cool wiring chamber containing porcelain terminal block, earth connection and cable gland. The stirrup assembly provides locking bolts, with plastic coated heads and handles, DV bearing quadrant marked 0°–180°. All castings are aluminium alloy, LM6-M.

Available, modified for use in Division 2 areas, to special order.

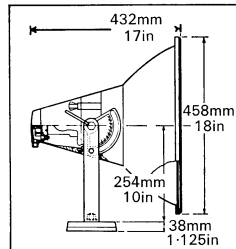
Special features and maintenance

The floodlight once aimed need not be moved for re-lamping, which is effected by removing lampholder housing complete with lamp from body casting.

The terminal block, earth screw and supply cable are located within the cool wiring chamber at base of lampholder casting, affording easy access along with protection from lamp heat.

The neoprene gasket and method of

glazing provide a very effective weatherproof seal. Details of discharge lamp control gear and weatherproof boxes are listed in Section 10



RANGE

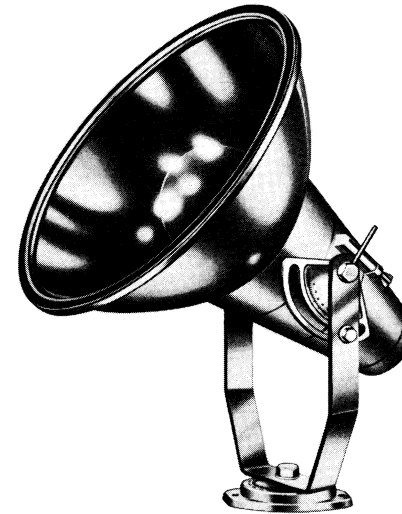
Catalogue no.	Mounting	Reflector	Weight kg
M25 S500	2 x 9.5mm/3/8in diameter clear holes at 152mm/6in centre	Specular	9.07
M25 D500	2 x 9.5mm/3/8in diameter clear holes at 152mm/6in centre	Diffuse	9.07

Complete with baseplate

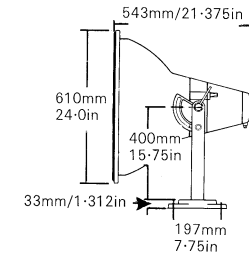
LAMPS

Lamp type	GLS	B2/1	MBF/U	MB1 & MB1F	SON	SON/T
Watts	300/500	500	250/400	250/400	250/400	250/400

M25F floodlight projector



M25F floodlight projector



Description

The projector is of robust construction and made from first quality materials, selected to withstand corrosive atmospheres found in industrial locations. The projector comprises six major components. A reflector spun from super purity aluminium, polished and anodised, is secured internally to an aluminium alloy body casting which itself is pivoted in a galvanised steel stirrup assembly. A heat-resisting front glass cover secured into the reflector by a neoprene gasket makes a weatherproof seal. Gasketed and fastened to the body casting by stainless steel studs and wing nuts through slotted cast-on lugs, is an easily removable lampholder housing at the base of which is a detachable cast cover plate. To complete the assembly, an auxiliary reflector is fixed between main reflector and main body casting; a GES lampholder is

provided and the cover plate end cap encloses a cool wiring chamber containing porcelain terminal block, earth connection and cable gland.

The stirrup assembly provides locking bolts, with plastic coated heads and handles, and DV bearing quadrant marked 0°–90° at 2½° intervals. A cast baseplate, marked with azimuth bearing angles, 0°–180°, is available as an optional extra. All castings are aluminium alloy, LM6-M.

Special features and maintenance

Provision is made for accurate lamp focusing by adjustment of three screws with screwdriver slot. The floodlight once aimed need not be moved for re-lamping, which is effected by removing lampholder housing complete with lamp from body casting. A re-setting stop situated in the quadrant makes it possible to swivel the fitting on its horizontal axis for cleaning front

glass. The fitting then returns to its predetermined aiming position. The terminal block, earth screw and supply cable are located within the cool wiring chamber at base of lampholder casting, affording easy access with protection from lamp heat.

The neoprene gasket and method of glazing provide a very effective weatherproof seal. For replacement of glass front cover a special glazing tool is available (M25 glazing tool. Catalogue No. M25 GT.) Details of discharge lamp control gear and weatherproof boxes are in Section 10.

RANGE

Catalogue no.	Reflector	Weight kg	Mounting
M25F D1500*	Diffuse	12.7	1 x 17mm/5/8in hole
M25F S1500*	Specular	12.7	1 x 17mm/5/8in hole
M25 BP	Baseplate (optional extra)		2 x 13mm/0.5in diameters 197mm/7.75in centre

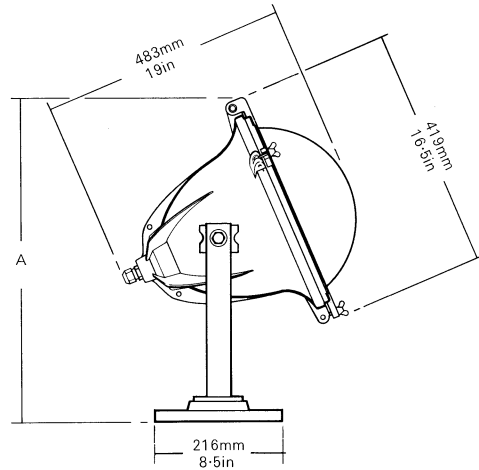
*Excluding baseplate

LAMPS

Lamp type	GLS	B2/2	B2/3	MB/U	MBF/U	MB1 & MB1F
Watts	750/1500	1000	1500	1000	1000	1000



OGR250/A



Floodlight suitable for Division 2 areas, rainproof, dust-tight and for use in most chemically corrosive atmospheres. The fitting is made of die-cast aluminium alloy stove enamelled grey, with plain heat-resisting glass bowl seated on a neoprene gasket in bezel secured by a floating hinge and three swing bolts with captive wing nuts. The fitting may be mounted by a variety of means including a cradle and 254mm/10in dia. circular base plate or cradle and 102mm/4in dia. vertical pole clamp (see page 1 :44) A concentrating anodized internal reflector is used with the MBF (Kolorlux) lamp. The fitting is supplied with integral choke but no capacitor and 3m of armour cable. Made to OCMA Specification no. ELEC 7—HMFI Approved for use in Division 2 areas (BASEEFA certification applied for to BS.4533). Fully rainproof, dust-tight and corrosion-resistant to BS.3820:1964.

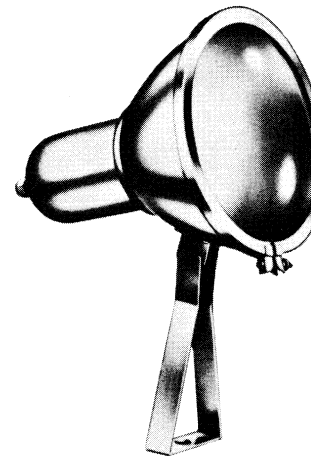
Range

Catalogue no.	Lamp	Holder	Dimensions A (max.)		A (min.)		Weight	
			mm	in	mm	in	kg	lb
OGR 250	MBF/U 250W	GES	635	25	483	19	16.5	36
OGR 400	MBF/U 400W	GES	635	25	483	19	16.5	36

Mountings for adjustable floodlight fitting with side bosses

- OGRA Cradle and circular baseplate (254mm/10in dia.)
- OGRB Cradle and clamp for 102mm/4in dia. column
- OGRC Cradle and handrail clamps
- OGRD Cradle and spigot clamp
- OGRG Spare glass only

Baseplate fixing: Four holes for 9mm/0.375in dia. bolts equally spaced on 216mm/8.5in dia. circle.



M28 200 light duty floodlight



M28 500 light duty floodlight

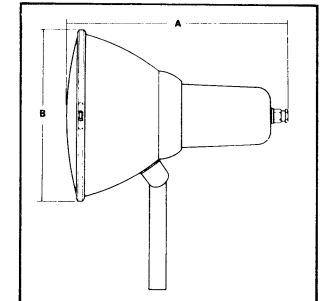
The M28 is designed for general purpose light duty floodlighting for 150/500W tungsten GLS lamps.

Description

The M28.150 and M28.200 floodlights in this range are identical in construction, varying only in overall dimensions. Mains wiring is fed via a fixed nylon gland direct into the back of the lampholder. The M28.500 has a removable back cover with cable gland, single screw fixing, giving access to a terminal block for mains connection. Re-lamping on all sizes is carried out by removal of front glass and glazing ring. Removal of the 3/4in packed gland on 150W and

200W sizes allows easy withdrawal of lampholder and yoke assembly for wiring.

All three types have fixed focus. Floodlight bodies are manufactured from sheet steel, the whole assembly being given anti-corrosion treatment and finished stoved aluminium lacquer. The complete assembly is supplied mounted on an adjustable steel stirrup. **Mounting** All mounting stirrups have a centre fixing hole 10.3mm/3/8in diameter plus two holes 5.5mm/3/16in diameter on 50.8mm/2in centres.



RANGE

Catalogue no.	Lamp	Cap	Weight kg	Dimensions			
				A		B	
M28.150	150W GLS	BC	1.59	273mm	10.75in	203mm	8in
M28.200	200W GLS	ES	2.50	400mm	15.75in	254mm	10in
M28.500	300/500W GLS	GES	4.76	552mm	21.75in	305mm	12in

Area floodlight

The Area flood is a totally enclosed floodlight for post top, wall or stirrup mounting. Integral precision wound gear for Kolorlux, Kolorarc and SON lamps is supplied wired to the lampholder. High light output with good optical control and asymmetric light distribution fits it for area floodlighting.

Description

Support casting
The casting which includes the control spigot cap is made of LM6-M aluminium alloy. Integral control gear is mounted on the casting.

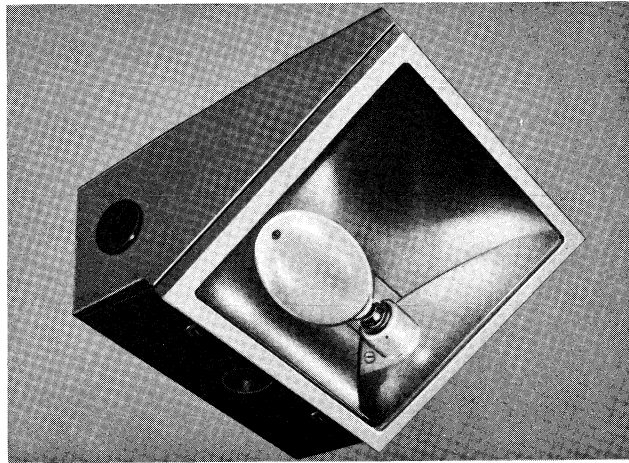
Body
The GRP body, moulded in one piece, incorporates a channel section carrying a silicone rubber gasket which provides a seal between body and casting.

Bowl ring assembly
Bowl ring is a GRP moulding with corrosion-resistant hinges at the top for easy access. A toughened flat glass is secured into the bowl ring. Both bowl and ring seat against silicone rubber gaskets for full weatherproofing. The assembly is secured by two Dzus coin-slot clips.

Reflector assembly
Two-part, of chemically polished aluminium, giving an asymmetric light distribution. The lower portion hinges down giving easy access to the control gear and fixing screws.

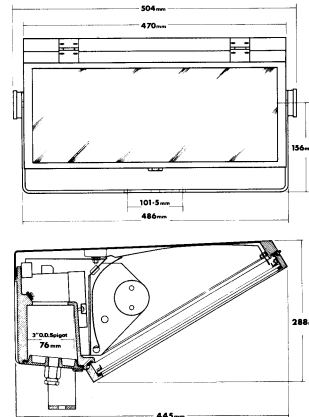
Wiring and installation
Mains wiring is fed via a cable to a 3 way 10A terminal block taking up to twin 7/85mm (7/-036in) cable and earth.

Post top and bracket mounting
The Area floodlight is secured to post or bracket through the two



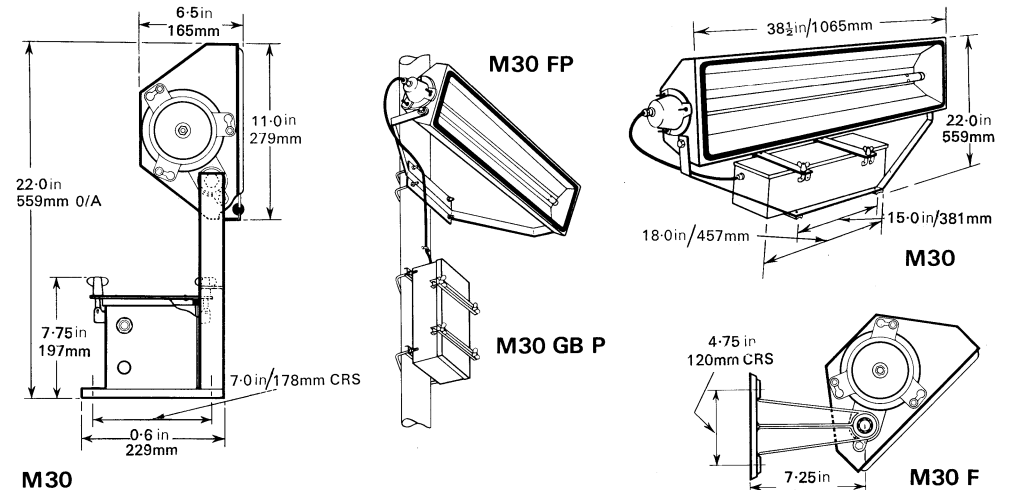
Allen type screws in the spigot cap 76mm/3in dia x 114mm/4.5in. Wall brackets are available in 152mm/6in for close to wall fixing with limited adjustment in azimuth. The 254mm/10in bracket permits full 180° adjustment in azimuth, if required.

Stirrup mounting
Stirrup arms are secured to the floodlight by the black securing knobs. A blanking plate is provided for gland entry of the mains cable. With this mounting the fitting may be aimed as required in elevation.



RANGE FITTING		Fitting packed in one carton c/w lamp			LAMP	
Catalogue no.	Bowl	Weight kg	lb	Type	Watts	Cap
OAC G400	Glass	20	44	MBIF Kolorarc	400	GES
OAC V400	Vandal	20	44	MBIF Kolorarc	400	GES
OAK G250	Glass	13.6	30	MBF/U Kolorlux	250	GES
OAK V250	Vandal	13.6	30	MBF/U Kolorlux	250	GES
OAK G400	Glass	15.2	33.5	MBF/U Kolorlux	400	GES
OAK V400	Vandal	15.2	33.5	MBF/U Kolorlux	400	GES
OAS G250	Glass	16.8	37	SON	250	GES
OAS V250	Vandal	16.8	37	SON	250	GES
OAS G400	Glass	18.5	41	SON	400	GES
OAS V400	Vandal	18.5	41	SON	400	GES
ACCESSORIES		DESCRIPTION				
OAB 36	76mm/3in OD; 152mm/6in wall bracket 152mm/6in projection					
OAB 310	76mm/3in OD; 254mm/10in wall bracket 254mm/10in projection					
OAG	Spare front glass					
OAV	Anti-vandal bowl—polycarbonate with fixing brackets					
OAE	Stirrup assembly—comprising stirrup, blanking plate and gland					
OAA 2	Adaptor for 51mm/2in ø spigot					

M30 linear sodium floodlight



Description
The M30 floodlight is designed for general area lighting. The projector body is of heavy gauge zinc-coated sheet steel with internal specular reflector of aluminium. The armour plate glass front is secured in a rubber weatherproof sealing gasket. Access for servicing and lamp replacement is effected by removing the die-cast aluminium end cap which has three-way quick release keyhole slots.

Finish: stove enamel grey.

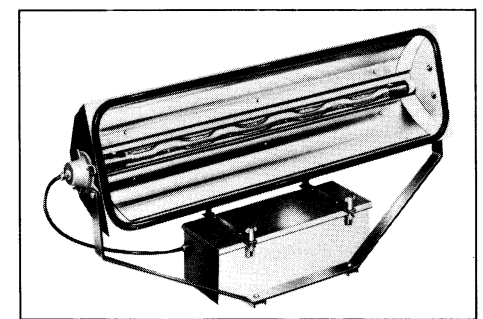
Mounting cradle, wall brackets and pole clamps: mild steel strip cast aluminium LM6 and steel rod.

Control gear box: heavy gauge galvanised steel fitted with a hinged lid, fully gasketed. A removable tray for control gear is supplied complete with mains terminal block.

Finish: stove enamel grey.

Lamps
140W SLI/H linear sodium discharge
200W SLI/H linear sodium discharge

Control Gear
Details of control gear can be found in Section 10.



M30 linear sodium floodlight

Catalogue no.	Description	Weight kg
M30	Floodlight (excluding control gear); with gear box; floor mounting. comprising: 1 M30 TS 3116 flood housing 1 M30 TS 2885 side strap 1 M30 TG 2630 gear box	28.12*
M30 F	Floodlight (excluding gear box); wall mounting comprising: 1 M30 TS 3116 flood housing 2 M30 TG 2586 wall bracket	12.03
M30 FP	Floodlight (excluding gear box); pole mounting comprising: 1 M30 TS 3116 flood housing 1 M30 TS 2885 side strap 1 M30 TG 3378 back plate 2 M30 TS 2585 pole clamps	15.42
M30 GBP	Gear box (excluding control gear) comprising: 1 M30 TG 2630 gear box 2 M30 TS 2585 pole clamps	16.78*

*weight includes gear.

750/1600W MBIL Floodlight

Features

Compactness—Low Windage—High Output
—Excellent Colour Rendering—Low Glare.

Applications

Designed to provide even illumination over a wide area with low glare at higher angles both for the large stadia requiring high illumination levels and for those requiring lower illumination levels.

Also ideal for lighting any large areas from buildings, poles or short towers with high efficiency and excellent colour rendering. The asymmetric light distribution also provides a very effective means of floodlighting buildings from a short offset.

Lamp

750/1600W MBIL linear metal halide unjacketed tubular double-ended lamp with standard R7s cap. (Lamp data sheet available on request). The fitting is weatherproof. Gear is mounted remote.

Description

The contoured asymmetric reflector, polished and anodised, is located between end plates cast in LM6-M aluminium alloy. Cool chambers in the castings provide accommodation for special lampholders. At the rear of the reflector a cast chamber with a gasketed lid provides the wiring facilities. Mains entry is by a cable gland.

Mounting and aiming

The fitting is provided with a stirrup which gives facilities for altering elevation and azimuth. A universal pole mounting bracket (OHA 4613) can be supplied.

See page 19 on New Haline for Details of clamp. The cast wiring box can be reversed to provide standing or pendant mounting. The Baffle in the fitting provides sharp run-back above the peak and coverage near the base of the tower or pole, on short offset types of installation. The ONR insert reflector may be used to give wide, symmetrical beam distribution, where required.

Re-lamping

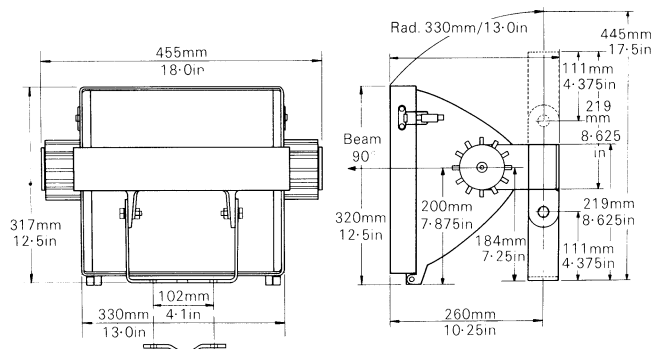
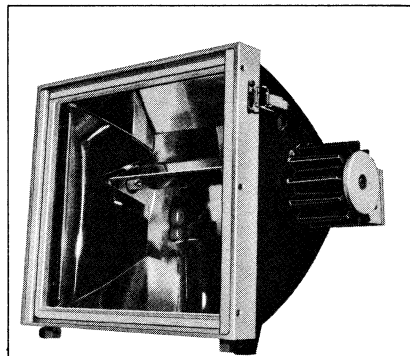
Access to the lamp for replacement purposes is made through hingeing down glass front.

Gear

Ballast G 53254.4 for 240 volts or G 53254.2 for 220 volts, both ballasts are used on respective phase to phase installations also. Two G 53254.4 or .2 Ballasts are required for 1600W lamps and one with 750W lamp.
Capacitors 8 x GC 2236 for 240/220V supply (200 mfd) on 1600W and 4 x GC 2236 (100 mfd) on 750W.

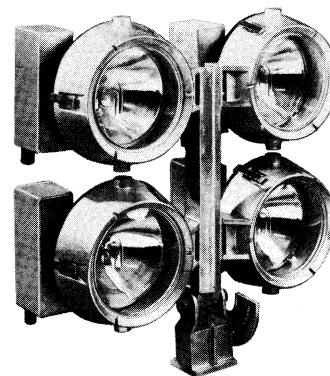
Capacitors 4 x GC 2271 for 440V supply (68 mfd) on 1600W and 2 x GC 2271/34 mfd) on 750W for single fittings. For large installations where bulk correction is preferred 57 mfd per fitting should be allowed on 1600W and 26 mfd per fitting on 750W. The number of capacitors calculated must be divisible by three for a balanced correction between three phases.

Weatherproof boxes for capacitors. GM6172 Box complete with Terminal block will house 4 capacitors.
GM6174 Box complete with Terminal block will house 8 capacitors.

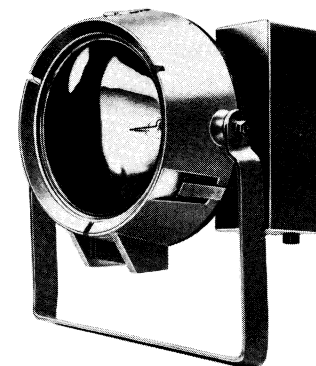


Cat. No.	Description	Weight
ON1600	Flood c/w stirrup (lamps ordered separately)	16lb
OHA 4613	Clamp for 2in-3 1/2in OD Pole (see page 19)	1lb
ONS	Spare front glass	
ONR	Diffuse reflector assembly	
750W Gear Sets		Size
1-G 5324.2	220V ballast 9-25in (235mm) x 8-125in (207mm) dia	55lb
4-GC 2236	220V capacitors	1.5lb (each)
1-G 53254.4	240V ballast 9-25in (235mm) x 8-125in (207mm) dia	55lb
4-GC 2236	240V capacitors	1.5lb (each)
1600W Gear Sets		Size
2-G 53254.2	220V ballast each 9-25in (235mm) x 8-125in (207mm) dia	55lb (each)
4-GC 2236	220V capacitors	1.5lb (each)
2-G 53254.4	240V ballast as G53254.2	55lb (each)
4-GC 2236	240V capacitors	1.5lb (each)

1000W CSI sealed beam floodlight



Four OM 1000 C1 kw floodlights on OMB 4 bracket



OM 1000 C1 kw floodlight and OMA stirrup.

Lamp

1000W Compact Source Iodide PAR 64 discharge lamp with special bi-post cap.

Description

The floodlight consists of two major assemblies: a glazing ring and a lamp and pulse starter housing assembly.

Glazing ring

Cast in LM6-M aluminium with mounting lugs. The glazing ring is secured to the lamp housing by three stainless steel toggle-catches. Glass can be either clear, stippled or prismatic.

Lamp/pulse starter housing

The bi-post lampholder is contained in a cast aluminium housing of LM6-M alloy and the lamp housing between the lampholder casting

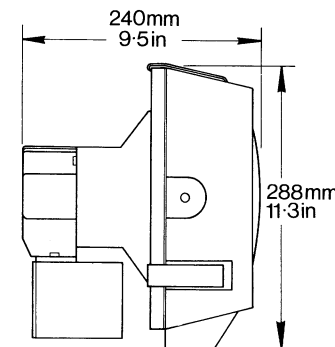
and the glazing ring is spun aluminium, finished matt black. The pulse starter unit of LM6-M alloy is mounted under the lampholder housing. Mains entry is by a cable gland. Ballasts and capacitors are mounted remote.

Mounting

Mounting brackets give adjustment in azimuth and elevation. OMA: Stirrup assembly for mounting a single fitting.

Wind Loading

A complete four lamp unit can be mounted in the same headframe space as a 0-6m/24in diameter floodlight.
The maximum projected areas are:
Single OM 1000 fitting — 0-07sq.m. approx.
OMB4 bracket only — 0-0034sq.m. approx.



RANGE

Catalogue no.	Description	Weights
OM 1000C	1kW floodlight with clear front glass	6-34 kg (14 lbs) with lamp
OM 1000P	1kW floodlight with prismatic front glass	6-34 kg (14 lbs) with lamp
OM 1000S	1kW floodlight with stippled front glass	6-34 kg (14 lbs) with lamp
OM 1000W	1kW floodlight with extra wide prismatic front glass	6-34 kg (14 lbs) with lamp
OMA	Stirrup assembly	.9 kg (2 lbs)
OMB4	Multi-way mounting bracket assembly	2.5 kg (5 1/2 lbs)
OMG B6	Gear tray for remote indoor use with 6 ballasts	36.74 kg (81 lbs)
OMG C16	Gear tray for remote indoor use with 16 capacitors	16-32 kg (36 lbs)
OMG B3 C8	Gear tray for remote indoor use with 3 ballasts and 8 capacitors	24-94 kg (55 lbs)
OMC	Spare clear front glass	0-34 kg (0-75 lbs)
OMP	Spare prismatic front glass	0-34 kg (0-75 lbs)
OMS	Spare stippled front glass	0-34 kg (0-75 lbs)
OMW	Spare extra wide prismatic front glass	0-34 kg (0-75 lbs)
OHA 4613	Universal pole clamp	0-45 kg (2 lbs)

Lamps are ordered separately with delay relay if required

Numbering system

Purpose

The purpose of the system is to provide an immediate and positive identification of a catalogue number in relation to range and description of the lantern.

Basic Principle

1. All items of streetlighting equipment are catalogued with prefix Q. This automatically locates the whole range in the same section of the Comprehensive Price List for easier location. It also gives an immediate statement of equipment type.

2. Second and third digits are initial letter and number of the lantern in the range description.

- e.g. A3 = Alpha 3
B4 = Beta 4
G3 = Gamma 3 etc.

3. A standard vocabulary of suffix letters, indicative of type detail, with or without gear, accessories or attachments etc., is included as appropriate in the catalogue number.

- e.g. S = Semi-cut-off
V = Anti-vandal bowl
B = With gear.

4. A system of four-digit numbers indicating no. of lamps and maximum wattage.

5. Where components making up a lantern are supplied as separate packages, each package has a catalogue number.

e.g. Alpha 3 Canopy SCO with gear—QA3 B1400
Alpha 3 Gear tray 400W Kolorlux 240V 50Hz—QA3 B1400.4
Alpha 3 Lampholder bracket for 250/400W SCO—QA3 SL
Alpha 3 bowl assembly 250/400W SCO—QA3 D.

6. When producing a complete fitting catalogue number, separate packages are indicated by an oblique stroke /.

The complete lantern Alpha 3 SCO with 400W Kolorlux becomes: QA3/SL/D/B1400.4 —indicating four packages. A further example would be: QB4 U1200 = Open Beta 4

- B22 = canopy with lugs
= 2 Pin BC lampholder
QB4 Y = Beta 4 refractor dome

The complete Beta 4 open lantern for GLS lamp then becomes: QB4 U/Y/1200B22—indicating three packages.

Secondary References:

- A. Auxiliary reflector
- B. With gear
- C. Cut off
- D. Acrylic bowl/diffuser/cylinder – clear or semi-obscured with or without refractor plates.
- E. Support assembly
- F. Small canopy
- G. Glass flat or bowl – clear or refractor
- H. Bowl ring
- I. Kolorarc (MBI/F)
- J. Canopy with lugs – enclosed type
- K. Triangular spigot (QLC columns)
- L. Lampholder/bracket assembly – AMEL, lampholder only
- M. Acrylic bowl – stippled or pinspot
- N. High pressure sodium (SON)
- O. Acrylic bowl or cylinder – opal
- P. PE cell socket
- S. Semi cut-off
- T. Top entry
- V. Anti-vandal bowl – clear, opal or prismatic
- W. Large canopy
- X. Refractor ring, symmetric
- Y. Refractor ring, asymmetric – glass or plastic
- Z. Refractor ring, asymmetric – inner portion only (QBI)

Suffix Numbers – Lamps and Wattages

- 1035 – 1 x 35W
 - 1055 – 1 x 55W
 - 1080 – 1 x 80W
 - 1090 – 1 x 90W
 - 1100 – 1 x 100W
 - 1125 – 1 x 125W
 - 1135 – 1 x 135W
 - 1140 – 1 x 140W
 - 1150 – 1 x 150W
 - 1200 – 1 x 200W
 - 1250 – 1 x 250W
 - 1400 – 1 x 400W
 - 2240 – 2 x 600mm/2ft 40W tubes
 - 2400 – 2 x 400W
 - 2500 – 2 x 500W
 - 3080 – 3 x 1500mm/5ft 80W tubes
 - 3400 – 3 x 400W
 - 4080 – 4 x 1500mm/5ft 80W tubes
 - 4240 – 4 x 600mm/2ft 40W tubes
- Where more than one lamp is available for a fitting, the largest wattage is used for the reference number.

Suffix Numbers – Control Gear

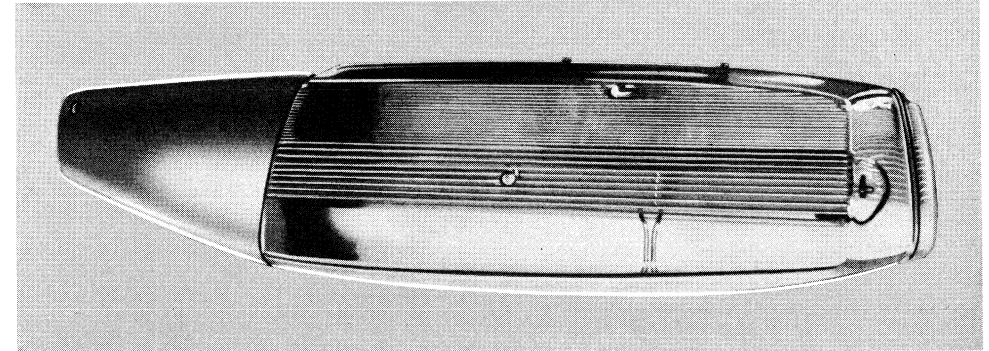
- .4 – 240V 50 Hz
- .H – 230/250V tapped
- .T – 200/250V tapped

Suffix Numbers – Lampholders

- B22 – 2BC
- B22-3 – 3BC
- E27 – ES

Mainly for reference information only.

Alpha One semi-cut-off sodium



QA1 E/D1090



Lamps

One 55W or 90W SOX sodium discharge lamp.

Distribution

Semi-cut-off DLOR 71%.

Specification

To BS 1788, Kite marked, DOE and COID approved. The end support is LM6-M die-cast aluminium alloy. The opticell is injection moulded clear acrylic and hermetically sealed. Other components are of stainless steel or aluminium. Control gear is mounted remote.

Mounting

Side entry for 42 x 100mm. spigot

Recommended mounting height: nominal 6-8m. Recommended spacing/height ratio: 4:1.

Catalogue no.

Complete lanterns

Lanterns comprise end support and opticell. QA1 E/D1055 for 55W SOX. QA1 E/D1090 for 90W SOX.

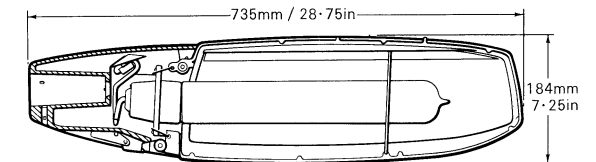
Packages

QA1 E. End support assembly. QA1 D1055 55W SOX opticell. QA1 D1090 90W SOX opticell.

Control gear

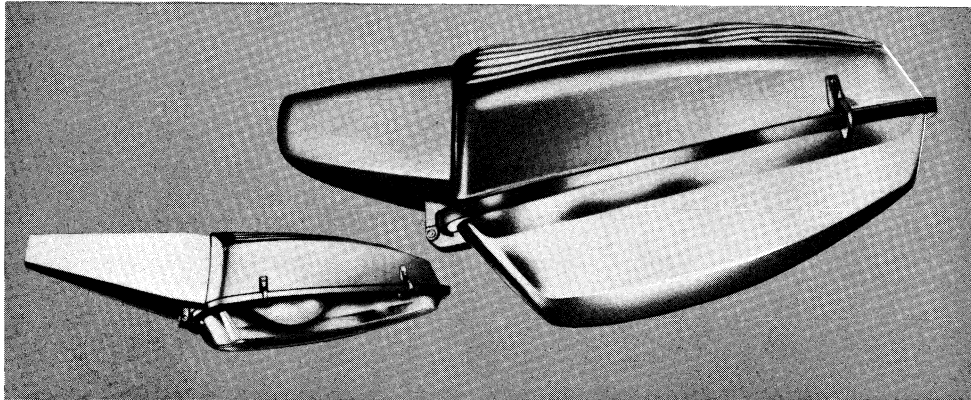
Gear sets required for lanterns.

Lamp	Control gear
55W SOX	G53182.4 G C2280
90W SOX	G53232.4 G C2236



Overall width	241 mm/9.5in
Weight	4.1kg/9lb
Windage area	0.121m ² /1.3ft ²

Alpha Three mercury/metal-halide/SON lantern



QA3.DWCB.1400.4

QA3.DWS.1400.

Lamps

One 250W or 400W MBF/U or
One 400W MBI/F or
One 250W or 400W SON

Distribution

(a) Cut-off
(b) Semi-cut-off



Specification

To BS.1788, Kite marked, DOE and COID approved. The canopy is pressed aluminium and painted white internally. End support/gear slipper with porcelain lampholder is in LM6-M die-cast aluminium alloy. Bowls are moulded in clear UV stabilized acrylic plastic. Control gear for 'less gear' lanterns is mounted remote.

Mounting

Side entry for:

(a) 42/48mm ϕ x 100mm horizontal spigot (less gear)

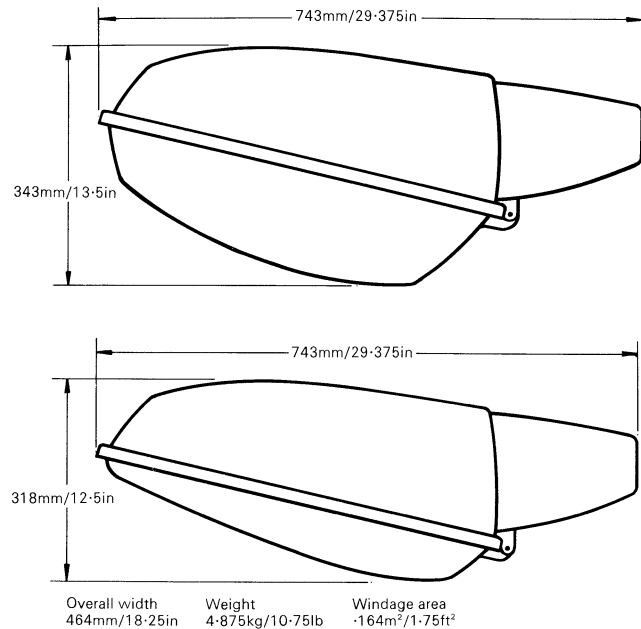
(b) 42/48mm or 60mm ϕ x 100mm horizontal spigot (with gear)

Recommended mounting height: nominal 8-12m.

Average spacing/height ratio: 4-5:1 (SCO)
3:1 (CO)

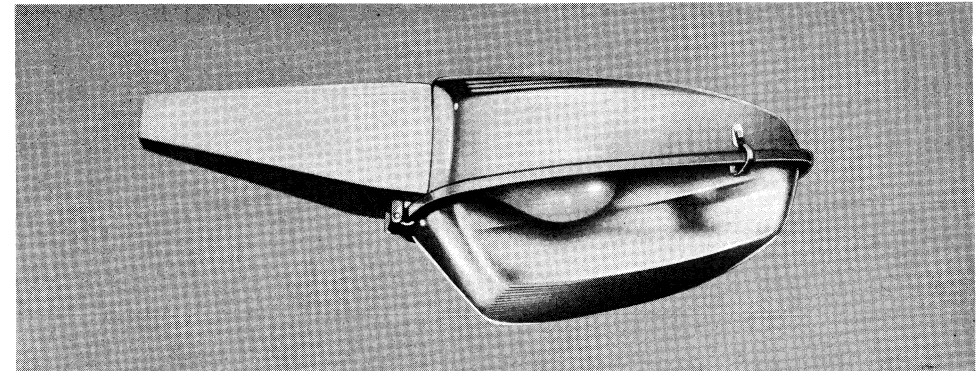
Catalogue no.

All lanterns comprise fully assembled canopy in one pack with cover bowls in separate pack for safe transit. Canopy and bowl may be ordered separately, or as a complete lantern by the insertion of the letter 'D' in the appropriate canopy catalogue number.



Alpha Three mercury/metal-halide/SON lantern

QA3 DS/NB1250.T



CANOPIES LESS GEAR

Without Photocell

QA3 WS 1400	Semi cut off canopy for 400W MBF/SON/MBIF lamp	QA3 WSP 1400
QA3 WS 1250	Semi cut off canopy for 250W MBF/SON/MBIF lamp	QA3 WSP 1250
QA3 WC 1400	Cut off canopy for 400W MBF/SON/MBIF/lamp	QA3 WCP 1400
QA3 WC 1250	Cut off canopy for 250W MBF/SON/MBIF lamp	QA3 WCP 1250

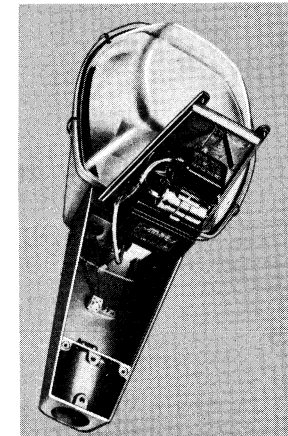
With Nema Photocell Socket

CANOPIES WITH GEAR

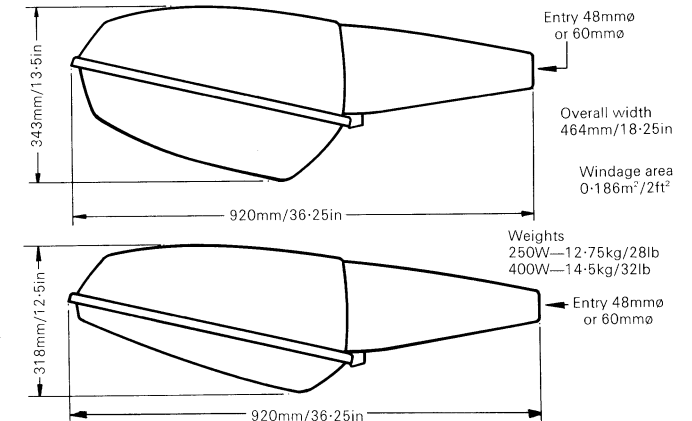
QA3 WSB 1400 4	Semi-cut-off 400W MBF 240V	QA3 WSPB 1400 4
QA3 WSB 1250 4	Semi-cut-off 250W MBF 240V	QA3 WSPB 1250 4
QA3 WSNB 1400 T	Semi-cut-off 400W SON 220/240V	QA3 WSPNB 1400 T
QA3 WSNB 1250 T	Semi-cut-off 250W SON 220/240V	QA3 WSPNB 1250 T
QA3 WSB 1400 2	Semi-cut-off 400W MBF 220V	QA3 WSPB 1400 2
QA3 WSB 1250 2	Semi-cut-off 250W MBF 220V	QA3 WSPB 1250 2
QA3 WCB 1400 4	Cut-off 400W MBF 240V	QA3 WCPB 1400 4
QA3 WCB 1250 4	Cut-off 250W MBF 240V	QA3 WCPB 1250 4
QA3 WCNB 1400 T	Cut-off 400W SON 220/240V	QA3 WCPNB 1400 T
QA3 WCNB 1250 T	Cut-off 250W SON 220/240V	QA3 WCPNB 1250 T
QA3 WCB 1400 2	Cut-off 400W MBF 220V	QA3 WCPB 1400 2
QA3 WCB 1250 2	Cut-off 250W MBF 220V	QA3 WCPB 1250 2

BOWLS

QA3 DS	Bowl for semi-cut-off Alpha 3
QA3 DC	Bowl for cut-off Alpha 3



QA3 DS/B1250.4



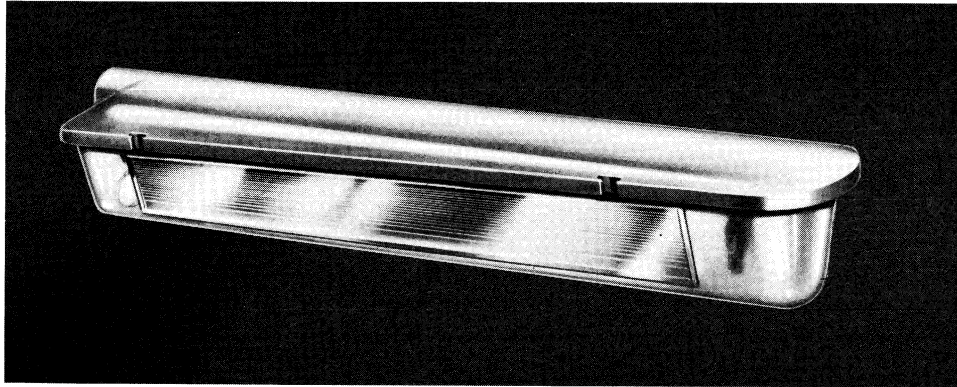
Control gear

Gear sets required for 'less gear' lanterns and supplied for 'with gear' lanterns.

Lamp	Control gear
250W MBF	G 53198.4* G C2214 G C2218
400W MBF	G 53193.4* G C2218
400W MBI/F	G 53193.T* G 53282 G C2218
250W SON	G 53251.T G 53282 G C2235
400W SON	G 53230.T G 53282 2 x G C2218

*To BS.4782, Kite marked

Alpha Five semi-cut-off sodium



QA5.1200



Lamps
One 140W or 200W SLI/H sodium discharge lamp.

Distribution
Semi-cut-off DLOR 75%.

Specification
To BS.1788, Kite marked and DOE approved. The canopy of LM6-M die-cast aluminium alloy incorporates an aluminium reflector. The acrylic bowl has sealed-in refractor plates. Control gear is mounted remote.

Mounting
Side entry for 42 x 100mm spigot.
Recommended mounting height: 10-12m.

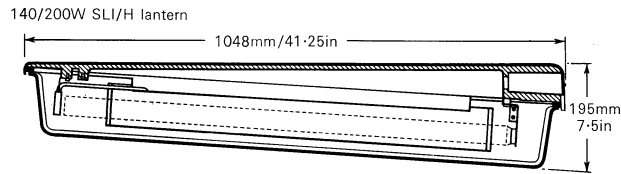
Average spacing/height ratio : 4:1.

Catalogue no.
Complete lanterns
Lanterns comprise canopy assembly and bowl.
QA5 1200 for 140W or 200W SLI/H lamp.

Replacement bowls
QA5 D1200 Bowl assembly for 140W or 200W SLI/H lamp.

Control gear
Gear sets required for lanterns.

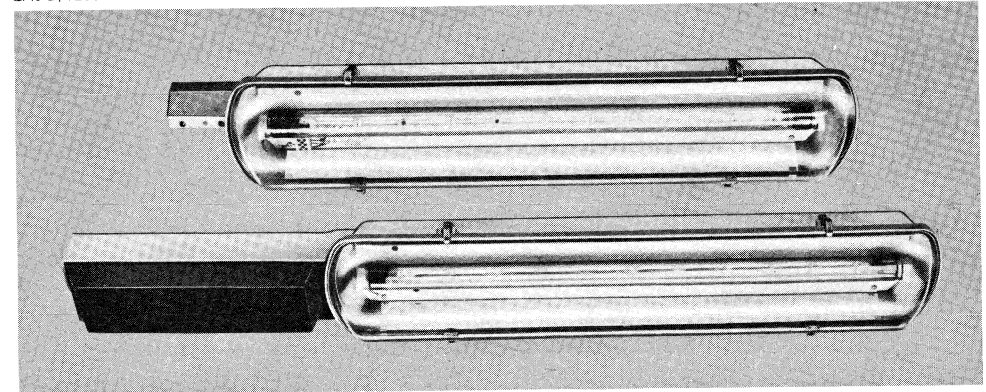
Lamp	Control gear
140 SLI/H	G53232.4 G2218
200 SLI/H	G53261.T G2235



Overall width: 260mm/10.25in
Weight: 4.62kg/10.25lb
Windage area: 0.167m²/1.8ft²

Alpha Six cut-off sodium

QA6 D/1200



QA6 D/B1140.4

Lamps
One 140W or 200W SLI/H lamp.

Distribution
Cut-off DLOR 65% 140W.
77% 200W.

To BS.1788, Kite marked, DOE and COID approved. The canopy is GRP and the bowl is UV stabilized acrylic. End supports are LM6-M aluminium alloy, the cover for the geared version being Polypropylene. The control gear for 'less gear' lanterns is mounted remote.

Mounting
Side entry for 42 x 110mm/1.649 x 3.9in spigot.
Recommended mounting height: 10-12m/32.8-39ft.
Average spacing/height ratio : 3:1.

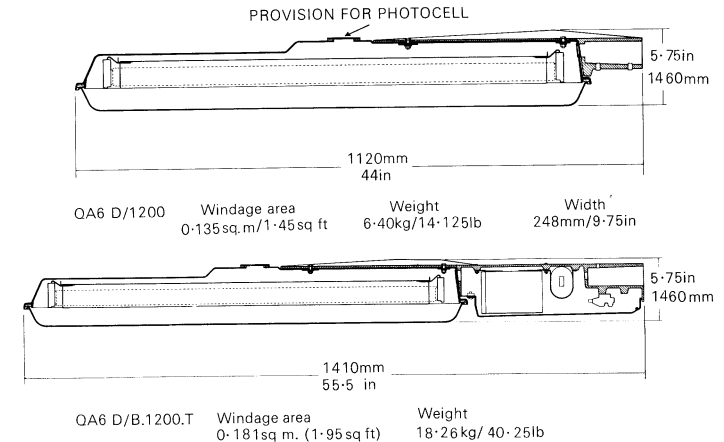
Catalogue no.
Complete lanterns less gear
Lanterns comprise canopy assembly and bowl.
QA6 D/1140 for 140W SLI/H lamp.
QA6 D/1200 for 200W SLI/H lamp.

Complete lanterns with gear
Lanterns comprise canopy assembly (with gear) and bowl.
QA6 D/B1140.4 for 140W SLI/H lamp.
QA6 D/B1200.T for 200W SLI/H lamp.

Packages
QA6 1140 Canopy/end support assembly for 140W SLI/H ('less gear' version).
QA6 1200 Canopy/end support assembly for 200W SLI/H ('less gear' version).
QA6 B1140.4 Canopy/end support assembly (with gear for 140W SLI/H).
QA6 B1200.T Canopy/end support assembly (with gear for 200W SLI/H).
QA6 D Bowl assembly.

Control gear
Gear sets required for 'less gear' lanterns, and supplied for 'with gear' lanterns.

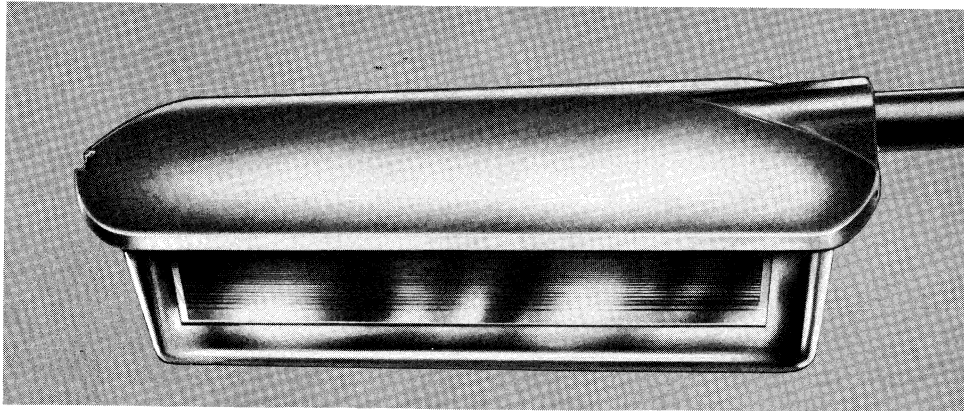
Lamp	Control gear
140W SLI/H	G53232.4 G2218
200W SLI/H	G53261.T G2355



QA6 D/1200 Windage area 0.135sq. m/1.45sq ft Weight 6.40kg/14.125lb Width 248mm/9.75in

QA6 D/B.1200.T Windage area 0.181sq. m. (1.95sq ft) Weight 18.26kg/ 40.25lb

Alpha Nine semi-cut-off sodium



QA9 D B 1090.H

Lamp

One 90W SOX sodium discharge lamp.

Distribution

Semi-cut-off DLOR 60%.

Specification

To BS.1788, Kite marked and DOE approved.

The canopy is of LM6-M aluminium alloy with a porcelain BC lampholder. The bowl is UV stabilised acrylic with bonded internal refractor plates. The control gear is mounted on the canopy of the 'with gear' lantern. Control gear for 'less gear' lantern is mounted remote.

Mounting

Side entry for 42 x 100mm spigot.

Recommended mounting height 8-10m.

Average spacing/height ratio : 4 : 5.

Catalogue no.

Complete lantern less gear

Lantern comprises canopy assembly and bowl assembly.

QA9 D 1090 for 90W SOX.

Complete lantern with gear

Lantern comprises canopy assembly with gear and bowl assembly.

QA9 D B 1090.H for 90W SOX.

Spare bowls

QA9 D Bowl assembly for 'less gear' lantern.

QA9 D B Bowl assembly for 'with gear' lantern.

Control gear

Gear sets required for 'less gear' lantern and supplied in 'with gear' lanterns.

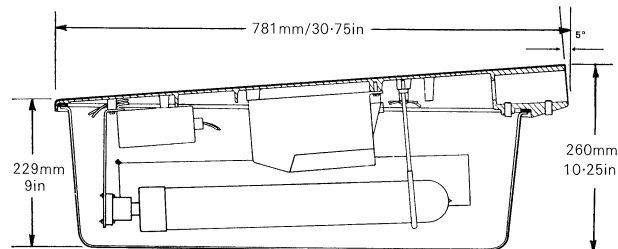
Lamp 90W SOX

Control gear G53178.H

GC2236

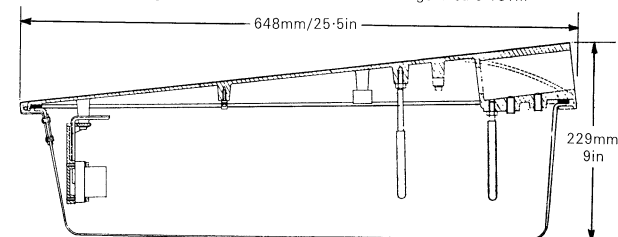
90W SOX (less gear only) G53232.4

GC2236



Weight 12.2kg/27lb

Windage area 0.181m²

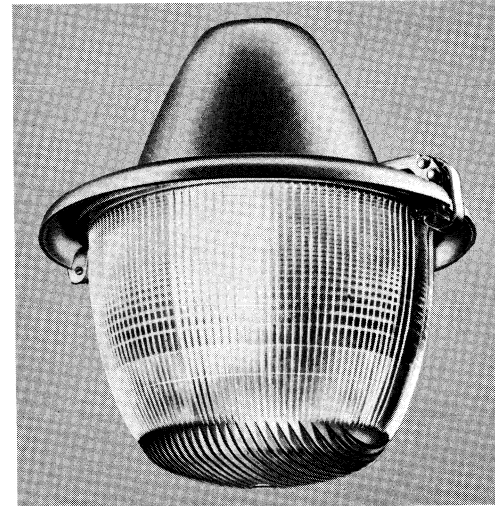


Overall width 655mm/11.875in

Windage area 0.051m²

Weight 4.5kg/10lb

Beta Four top entry GLS/mercury

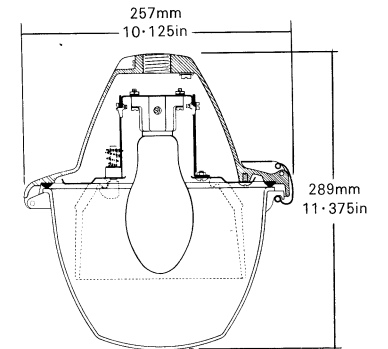


QB4 V/1200/B22-3

Weight 2.83kg/6.25lb

Windage Area 0.312 ft²

0.029 m²



Lamps

a) One 60, 100, 150 or 200W GLS tungsten filament lamp.

b) One 80W or 125W MBF lamp.

Specification

To BS.1788.

The canopy is LM6-M aluminium alloy and the refractor bowl is either UV stabilised acrylic or polycarbonate. The refractor for open lanterns is glass. Control gear for MBF lamps is mounted remote.

Mounting

Top entry for 19mm/3/8in BSP threaded nipple.

Recommended mounting height :

5m.

Average spacing/height ratio : 6 : 1.

Catalogue no.

Complete lanterns (open)

QB4 U/Y/1200/B22 for 60/150W GLS

QB4 U/Y/1200/E27 for 150/200W GLS or 80/125W MBF

QB4 U/Y/1200/B22-3 for 80/125W MBF

QB4 U/Y/1200/B22-3 for 80/125W MBF

Complete lanterns (enclosed)

QB4 D/1200/B22 Lantern with acrylic bowl for 60/150 GLS.

QB4 D/1200/E27 Lantern with acrylic bowl for 80/125W MBF.

QB4 D/1200/B22-3 Lantern with acrylic bowl for 80/125W MBF.

QB4 V/1200/B22 Lantern with anti-vandal bowl for 60/150W GLS.

QB4 V/1200/E27 Lantern with anti-vandal bowl for 150W GLS or 80/125W MBF.

QB4 V/1200/B22-3 Lantern with anti-vandal bowl for 80/125W MBF.

QB4 V/1200/B22-3 Lantern with anti-vandal bowl for 80/125W MBF.

QB4 V/1200/B22-3 Lantern with anti-vandal bowl for 80/125W MBF.

QB4 V/1200/B22-3 Lantern with anti-vandal bowl for 80/125W MBF.

Packages

QB4 1200 Canopy assembly (for bowl)—enclosed.

QB4 U 1200 Canopy assembly (for refractor)—open.

QB4 D Acrylic refractor bowl.

QB4 V Polycarbonate refractor bowl.

QB4 Y Glass refractor dome.

GL 1085 Lampholder (2BC-B22).

GL 1086 Lampholder (3BC-B22-3).

GL 1087 Lampholder (ES-E27).

Control gear Gear sets required for discharge lamps in lanterns.

Lamp 80W MBF

125W MBF

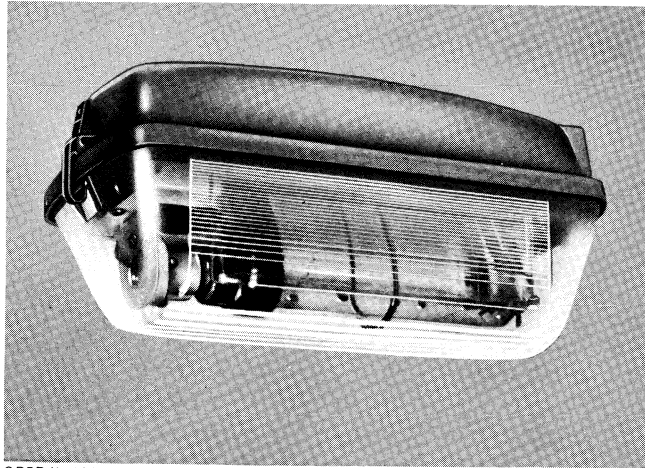
Control gear G 53162.4

G C2234

G 53159.4

G C2234.

Beta Five sodium lantern



QB5D/1"1035

Lamp
One 35W SOX sodium discharge lamp.

Specification
To BS.1788
The canopy/gear housing and bowl ring are LM6-M aluminium alloy. Bowls are either acrylic or vandal-resistant plastic with bonded internal refractor plates. Gear can be mounted remote with 'less gear' lanterns.

Mounting
Side entry for 34 x 80mm or 27 x 80mm spigot.
Top entry for 3/4" or 1" BSP threaded.

Recommended mounting height:
5m/16ft.
Average spacing/height ratio: 6:1.

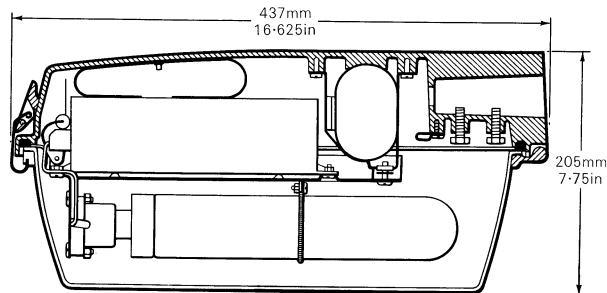
Catalogue no.

Complete lanterns less gear
Lanterns comprise canopy assembly and bowl assembly.
QB5.D/1" 1035—1" BSP (34mm ϕ) side entry with acrylic bowl for 35W SOX
QB5.T.D/3/4" 1035—3/4" BSP threaded top entry with acrylic bowl for 35W SOX
For lanterns requiring anti-vandal bowl replace "D" with "V".

Complete lanterns with gear
Lanterns comprise canopy/gear assembly and bowl assembly.
QB5.D/1" B.1035.4—1" BSP (34mm ϕ) side entry with acrylic bowl for 35W SOX
QB5.D/3/4" B.1035.4—3/4" BSP (27mm ϕ) side entry with acrylic bowl for 35W SOX
QB5.TD/3/4" B.1035.4—3/4" BSP threaded top entry with acrylic bowl for 35W SOX
QB5.TD/1" B.1035.4—1" BSP threaded top entry with acrylic bowl for 35W SOX
For lanterns requiring anti-vandal bowl replace 'D' with 'V'.

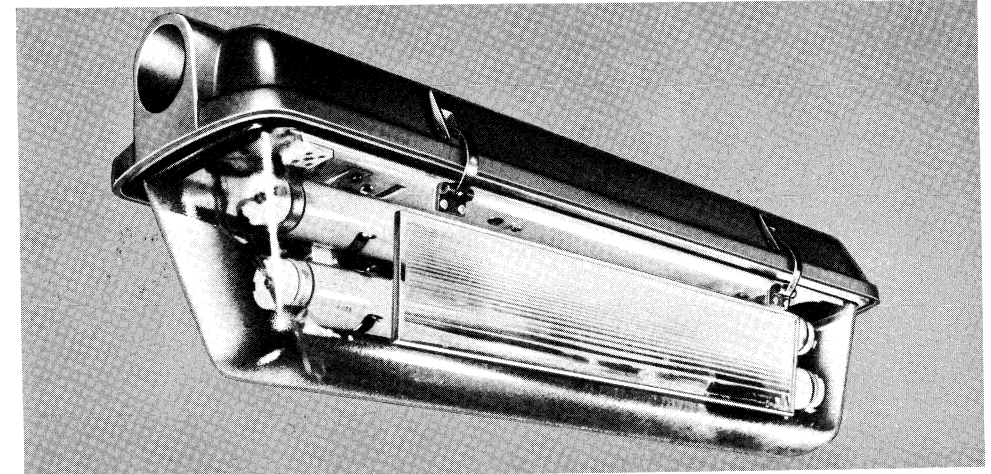
Packages
QB5.1" 1035—1" BSP (34mm ϕ) side entry canopy (less gear)
QB5.3/4" 1035—3/4" BSP (27mm ϕ) side entry canopy (less gear)
QB5.T.3/4" 1035—3/4" BSP threaded top entry canopy (less gear)
QB5.T.1" 1035—1" BSP threaded top entry canopy (less gear)
QB5.1" B.1035.4—1" BSP (34mm ϕ) side entry canopy (with gear)
QB5.3/4" B.1035.4—3/4" BSP (27mm ϕ) side entry canopy (with gear)
QB5.T.3/4" B.1035.4—3/4" BSP threaded top entry canopy (with gear)
QB5.T.1" B.1035.4—1" BSP threaded top entry canopy (with gear)
QB5.D—Acrylic bowl assembly
QB5.V—Anti-vandal bowl assembly

Control gear
Gear sets required for 'less gear' lanterns and supplied for 'with gear' lanterns.
Lamp
35W SOX (less gear)
35W SOX (with gear)
Control gear
G 53131.H
G C2280
G 53181.4
G C2280



Overall width: 160mm/6-25in
Weight: 7-25kg/16lb
Windage area: 0-81m²/0-875 ft²

Beta Six side entry fluorescent



QB6 D/B2240.4

Lamps
Two 40W 600mm/2ft MCFA/U tubes 240V 50Hz.

Specification
To BS.1788.
The canopy of LM6-M aluminium alloy houses the control gear on a sheet steel tray (enamelled white). The bowl is Darvic or acrylic with internal bonded refractor plates.

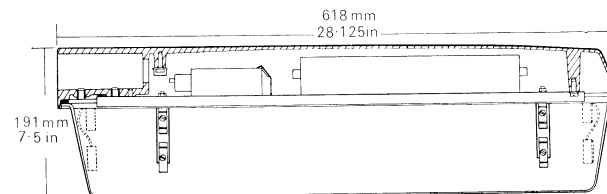
Mounting
Side entry for 42 x 100mm spigot.
Recommended mounting height: 5m
Average spacing/height ratio: 6:1.

Catalogue no.
Complete lanterns with gear
Lanterns comprise canopy assembly and bowl assembly.
QB6 D/B2240.4 Lantern with

acrylic bowl for 2 600mm/2ft 40W MCFE/U
QB6 V/B2240.4 Lantern with anti-vandal bowl for 2 600mm/2ft 40W MCFE/U or

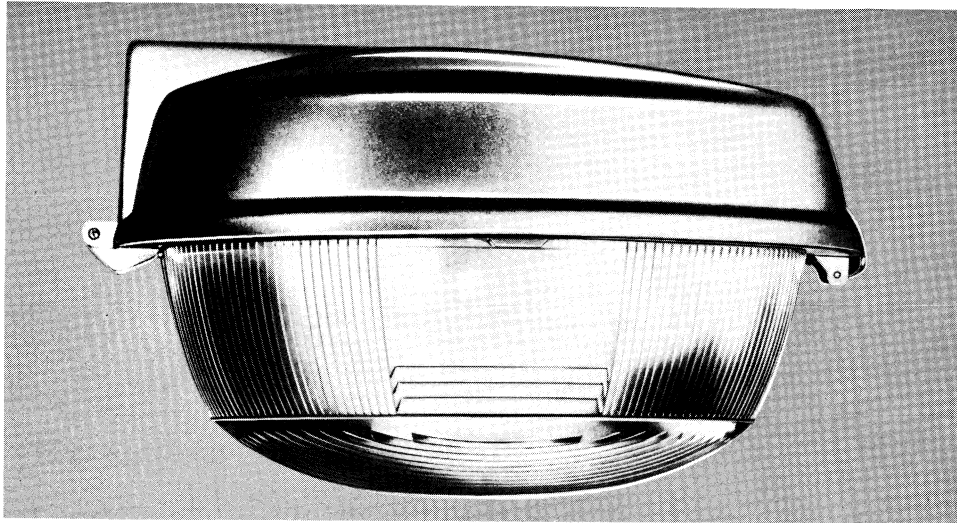
Packages
QB6 B2240.4 Canopy with gear and gear tray.
QB6 D Bowl assembly (acrylic).
QB6 V Bowl assembly (Darvic anti-vandal).

Control gear
Gear set supplied with lantern.
Lamp 40W MCFA/U
Control gear G 69082.4
GC2222



Overall width: 171 mm (6-75in)
Weight: 7-0kg (15-5 lb)
Windage area: 0-13 sq m (1-4 sq ft)

Beta Seven side entry mercury



QB7 G/1125 E27

Lamps

One 80W or 125W MBF lamp.

Specification

To BS.1788.

The canopy/body is LM6-M aluminium alloy and the bowl can be either glass or CAB anti-vandal plastic. Control gear for MBF lamps is mounted remote.

Mounting

Side entry for 34 x 80mm/1-337 x 3-15in spigot.

Recommended mounting height: 5m/16-4ft.

Average spacing/height ratio: 6:1.

Catalogue no.

Complete lanterns

Lanterns comprise a body assembly and a bowl assembly.

QB7 G/1125 B22-3 Lantern with glass bowl for 80/125W MBF

QB7 G/1125 E27 Lantern with glass bowl for 80/125W MBF

QB7 V/1125 B22-3 Lantern with vandal bowl for 80/125W MBF

QB7 V/1125 E27 Lantern with vandal bowl for 80/125W MBF

Packages

QB7 1125 B22-3 Body assembly (3BC lampholder).

QB7 1125 E27 Body assembly (ES lampholder).

QB7 G Bowl assembly (glass).

QB7 V Bowl assembly (CAB anti-vandal).

Control gear

Gear sets required for discharge lamps in lanterns.

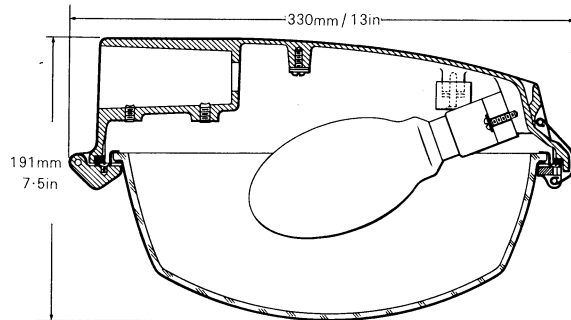
Lamp

80W MBF G 53162.4

G C2234

125W MBF G 53159.4

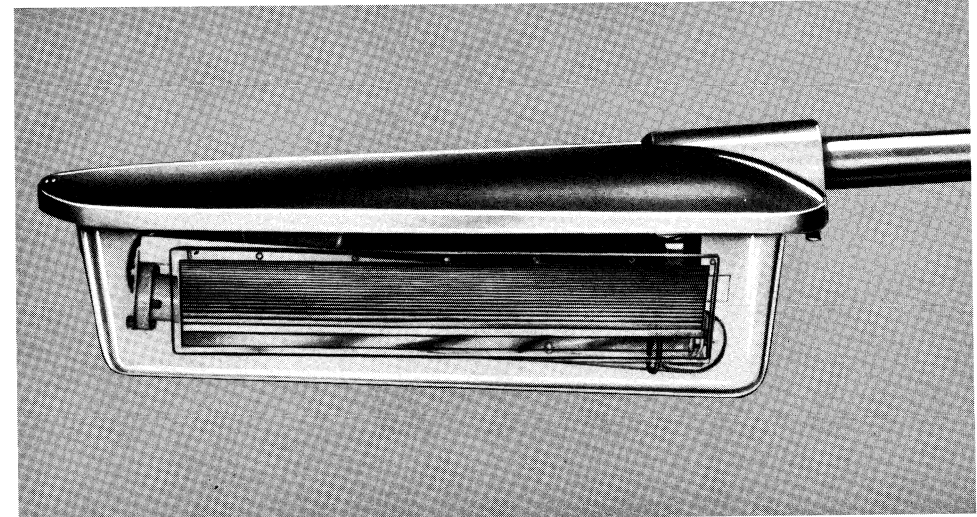
G C2234



Overall width: 270mm/10-625in
Weight: 3-74 kg/8-25 lb.

Windage Area: 0-460 ft²
0-043 m²

Beta Eight side entry sodium



QB8 V/B1055.4

Lamp

One 55W SOX sodium discharge lamp.

Specification

To BS.1788.

The canopy is of LM6-M aluminium alloy with a porcelain lampholder.

The bowl can be either UV stabilized acrylic or CAB plastic.

Both bowls have bonded internal refractor plates. The control gear for 'with gear' lanterns is mounted on a gear tray in the canopy.

Control gear for 'less gear' lanterns is mounted remote.

Mounting

Side entry for 34 x 80mm/1-337 x 3-15in spigot.

Recommended mounting height: 5m/16-4ft.

Average spacing/height ratio: 6:1.

Catalogue no.

Complete lanterns less gear

Lanterns comprise a canopy assembly and a bowl assembly.

QB8 D/1055 Lantern with acrylic bowl for 55W SOX.

QB8 V/1055 Lantern with vandal bowl for 55W SOX.

QB8 D/B1055.4 Lantern with acrylic bowl for 55W SOX.

QB8 V/B1055.4 Lantern with vandal bowl for 55W SOX.

QB8 D/B1055.4 Lantern with acrylic bowl for 55W SOX.

QB8 V/B1055.4 Lantern with vandal bowl for 55W SOX.

Packages

QB8 1055 Canopy assembly (less gear).

QB8 B1055.4 Canopy assembly (with gear).

QB8 D Bowl assembly (acrylic).

QB8 V Bowl assembly (CAB anti-vandal).

Control gear

Gear sets required for 'less gear' lantern and supplied for 'with gear' lantern.

Lamp

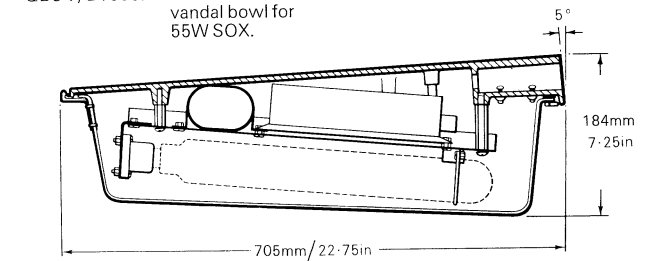
55W SOX (less gear) G 53131.H

55W SOX (with gear) G 53181.4

G C2280

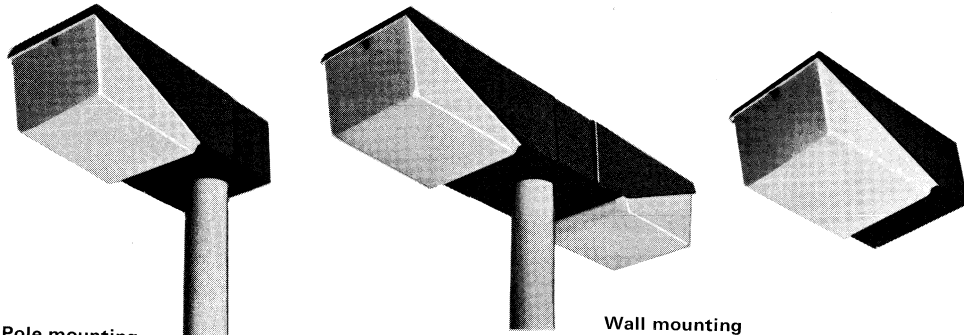
QB8 D/B1055.4 Lantern with acrylic bowl for 55W SOX.

QB8 V/B1055.4 Lantern with vandal bowl for 55W SOX.

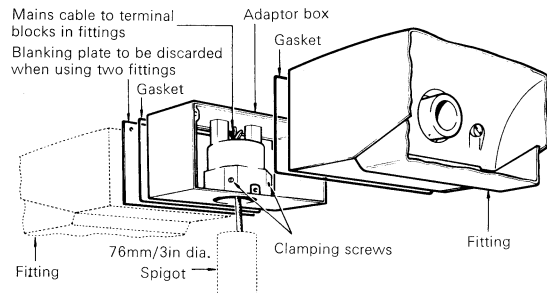


Width: 242mm/9-5in
Weight: 8-63kg/19-25lb
Windage area: 0-107m²/1-15ft²

Precinct 80 and 125W MBF



Pole mounting



Application

Town centres and densely populated areas are gradually being converted to one-way systems and pedestrian walkways in an attempt to separate the car from the daily and week-end shopper.

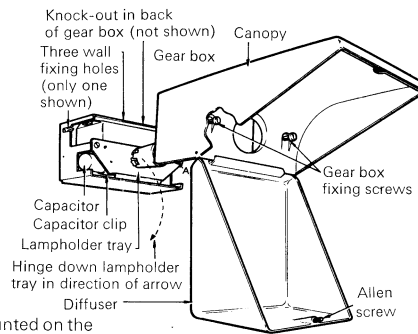
A demand for a low cost, well designed fitting to light these areas is evident. The need also exists for good design for town and country planning. The Precinct fitting is manufactured with integral control gear for 80W and 125W MBF and can be pole mounted singly or twin back-to-back.

This compact fitting can also be wall mounted directly, either separately or to complete a matching installation.

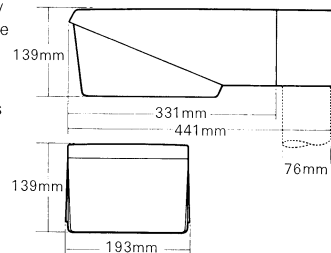
Construction

A pressure die-cast LM6-M aluminium canopy with integral cast reflector houses a separate gear tray with appropriate 240V integral gear.

Wall mounting



Dimensions



The ES lampholder is mounted on the gear tray and projects through the back of the reflector. Three shrouded fixing holes are provided in the gear tray, and 19mm/3/4in conduit clearance knock-outs are provided in the sides and bottom. The diffuser is opal Polycarbonate.

Pole mounting adaptor

One pole mounting adaptor provides facility for one or two fittings as shown in the post top version diagram. The assembly shows that a blanking off plate is used only when one fitting is installed. Recommended mounting height 3-6m/10-20ft

Spares

Provisions are made for spare anti-vandal bowls for the rare occasions when a replacement may be required.

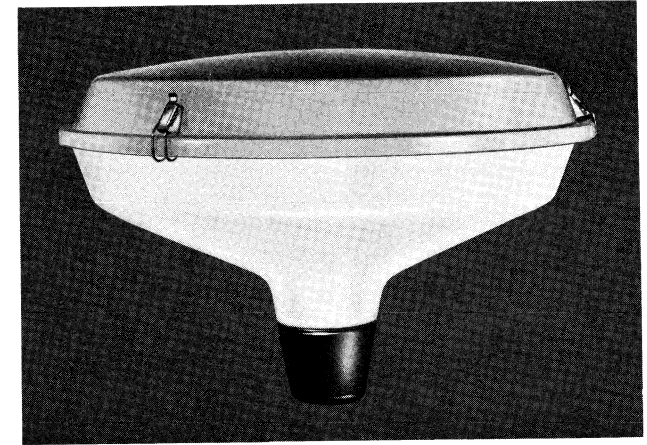
Range

Catalogue no.	Description	Weight		Lamp	Cap
		kg	lb		
OC 1080.4	80W Precinct c/w gear	4.1	9.039	MBF	ES
OC 1125.4	125W Precinct c/w gear	4.3	9.48	MBF	ES

Accessories and spares

Catalogue no.	Description	Weight	
		kg	lb
OCA 1/2	Adaptor mounting	1.59	3.505
OCV	Spare anti-vandal bowl	0.23	0.507
GL 1113	Spare lampholder	0.11	0.242

Gamma Three mercury/fluorescent



QG3 1400

Lamps

- One 250W or 400W MBF lamp.
- One 250W or 400W SON lamp.
- One 400W MBI/F lamp.

Specification

COID approved.
Base is LM6-M aluminium alloy and the canopy is an acrylic enamelled aluminium spinning. The bowl is acrylic plastic and the toggle catches are stainless steel. All control gear is mounted remote.

Mounting

Post top mounting for 76 x 76mm spigot.
Recommended mounting height: 6-8m
Average spacing/height ratio: 3:1.

Catalogue no.

Complete lanterns

Lantern comprises base assembly, bowl and canopy.
QG3 1400 for 250/400 MBF
250/400W SON and 400W MBI/F.

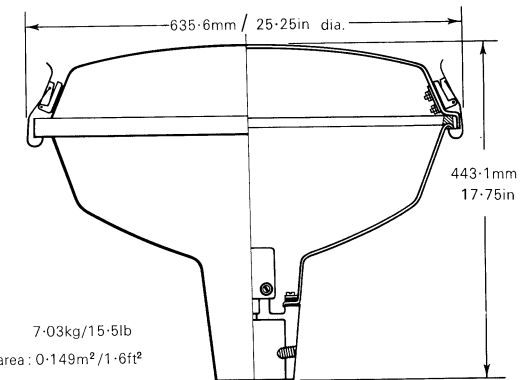
Replacement packages

QG3 O Opal bowl.
QG3 F Canopy assembly.
QG3 E Support assembly.

Control gear

Gear sets required for lantern.

Lamp	Control Gear
250W MBF	G 53198.4 G C2214
400W MBF	G 53193.4 G C2218 G 53195.T G C2278
400W MBI/F	(2 per lamp) G 53193.T G 53262 G C2218
400W MBI/F (alternative)	G 53251.T G 53262 G C2235
250W SON	G 53230.T G 53262 G C2218
400W SON	(2 per lamp)



Weight: 7.03kg/15.5lb

Windage area: 0.149m²/1.6ft²

Gamma Five GLS/mercury

Lamps

- a) One 100W or 200W GLS tungsten filament lamp.
- b) One 80W or 125W MBF lamp.

Distribution

- a) Asymmetrical.
- b) Symmetrical.

Specification

COID approved.

The canopy is an acrylic enamelled aluminium spinning with stainless steel toggle catches. The bowl is either acrylic or CAB and the refractor is glass. Control gear for discharge lamps is mounted remote.

Mounting

- a) Direct to QLC 1500/G5 steel column.
- b) Post top mounting for 76 x 76mm/ 2-996 x 2-996in spigot with a QG5 E 3 x 3 adaptor.
- c) Post top mounting for a triangular spigot with a QG5 E K adaptor for the leader column. Recommended mounting height: 3-964m/13ft or 4-574m/15ft. Average spacing/height ratio: 3:1.

Catalogue no.

Complete lanterns

Lanterns comprise bowl, body, lampholder and support and refractor (except opal bowl version)

QG5 JD/Y1200.B22 with asymmetric refractor for 100/150W GLS.

QG5 JD/Y1200.E27 with asymmetric refractor for 80/125W MBF

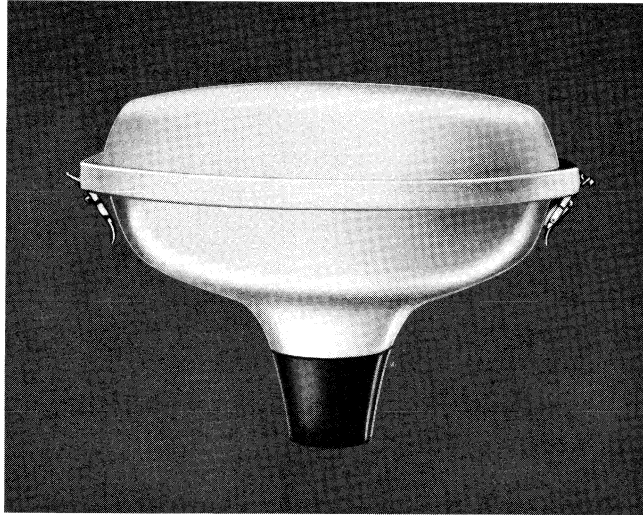
QG5 JD/Y1200.B22-3 with asymmetric refractor for 80/125W MBF

QG5 JD/X/1200.B22 with symmetric refractor for 100/150 GLS.

QG5 JD/X/1200.E27 with symmetric refractor for 80/125W MBF

QG5 JD/X/1200.B22-3 with symmetric refractor for 80/125 MBF

n.b. FOR CLEAR ANTI-VANDAL BOWL INSERT V FOR D IN COMPLETE CATALOGUE NUMBER.



QG5 O/1200.B22-3 with QG5.E3X3

QG5 O/1200.B22 for 100/150 GLS
 QG5 O/1200.E27 for 150/200 GLS
 QG5 O/1200.B22-3 for 80/125W MBF

Packages

QG5 JD 1200 Body, lampholder support, and clear acrylic bowl.

QG5 JV1200 Body, lampholder support, and clear vandal bowl.

QG5 O1200 Body, lampholder support, and opal acrylic bowl.

QG5 J1200 Canopy with lugs for refractor.

QX Symmetric refractors.
 QY Asymmetric refractor.
 QG5 E3 x 3 Support casting for 3 x 3 spigot.

QG5 EK Support casting for leader column.

GL 1086 Lampholder 3BC (B22-3).

GL 1085 Lampholder 2BC (B22).
 GL 1087 Lampholder ES (E27).

Replacements

QG5 D Clear acrylic bowl.
 QG5 O Opal acrylic bowl.
 QG5 V Clear anti-vandal bowl.

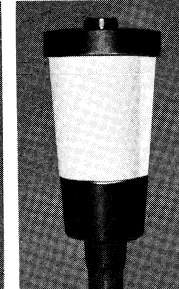
Control gear

Gear sets required for MBF lamps.

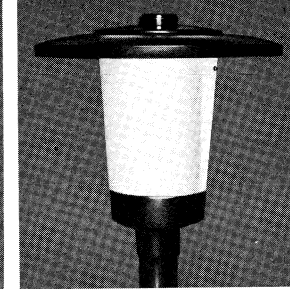
Lamp	Control gear
80W MBF	G53162.4
	G2234
125W MBF	G53159.4
	G2234.



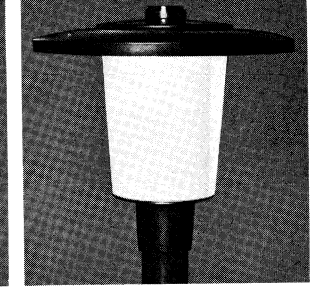
QG6 V/F/B1125.4



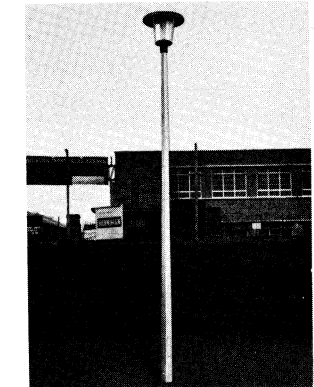
QG6 O/F/B1035.H



QG6 V/W/B1080.4/B22-3



QG6 W/O/1200/E27



QG6 W/O/1200/E27 on QLC3 aluminium column

Lamps

- a) One 100W, 150W or 200W GLS tungsten filament lamp.
- b) One 160W MBTF lamp.
- c) One 80W or 125W MBF lamp
- d) One 35W SOX lamp.

Specification

Base castings are LM6-M aluminium alloy and the canopies spun aluminium alloy. Bowls are either injection moulded opal acrylic or opal polycarbonate. In the 'with gear' lanterns, the control gear is mounted in the base casting on a removable gear-tray. Control gear for 'less gear' lanterns is mounted remote.

Mounting

Post top mounting for 76 x 76mm spigot.

Recommended mounting height: 5m.

Average spacing/height ratio: 3:1.

Catalogue no.

Space will not allow the listing of the many alternative assemblies possible. Complete catalogue numbers are made up by a combination of letters and numbers of the components listed. For ease of recognition the components are shown pictorially on the following page and examples given for complete lanterns.

Packages and spares

QG6 1200 Base casting assembly (less gear).
 QG6 B1035.H Base casting assembly with 240V 30W SOX gear and 2BC lampholder.

QG6 B1080.4 Base casting assembly with 240V 80W MBF gear and ES lampholder.

QG6 B1125.4 Base casting assembly with 240V 125W MBF gear and ES lampholder.

QG6 O Opal bowl (acrylic).
 QG6 V Opal bowl (polycarbonate).

QG6 W Large canopy.

QG6 F Small canopy

QP1 Photo cell socket.

GL 1085 Lampholder (2BC-B22).

GL 1086 Lampholder (3BC-B22-3).

GL 1087 Lampholder (ES-E27).

NB: Each lantern requires:

- 1) A base casting assembly
- 2) A bowl
- 3) A canopy
- 4) A lampholder (for 'less gear' lanterns or 3BC 'with gear')

For lanterns requiring a photocell socket add letter P to base casting.

Examples of complete lantern

- 1) QG6 O/W/1200/E27 'Less gear' base casting, acrylic bowl, large canopy, and ES lampholder.

- 2) QG6 V/F/B1080.4/B22-3 240V gear base casting, polycarbonate bowl, small canopy, and 3 BC lampholder.

- 3) QG6 V/W/PB1125.4 240V gear base casting, polycarbonate bowl, large canopy, ES lampholder, and photocell socket.

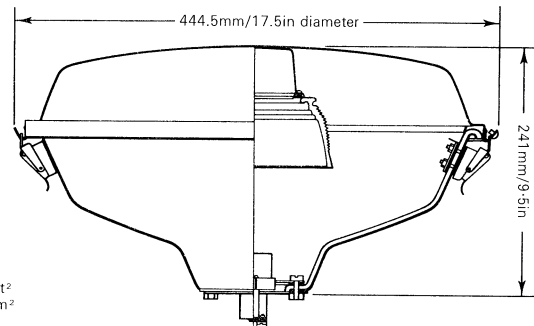
Control gear

Gear sets required for 'less gear' lanterns.

Lamp	Control gear
80W MBF	G 53162.4
	G 2234
125W MBF	G 53159.T.
	G 2234
35W SOX	G 53131.H
	G 2280

Gear sets supplied for 'with gear' lanterns

80W MBF	G 53272.4
	G 2223
125W MBF	G 53271.4
	G 2222
35W SOX	G 53131.H
	G 2232

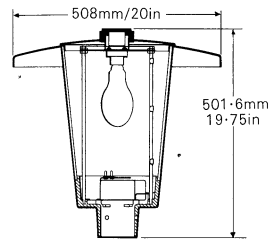


Weight 3-63kg/8lb
 Windage area 0-75ft²
 0-07m²

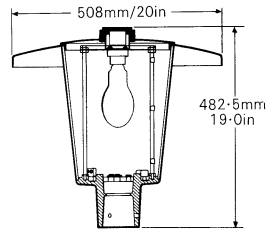
Gamma Six GLS/sodium/mercury

Gamma Six GLS/sodium/mercury

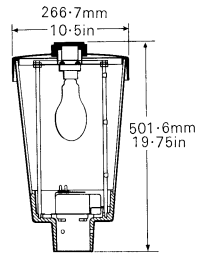
Dimensions of selected lanterns illustrated on previous page.



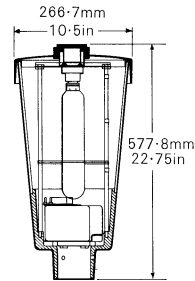
Weight: 6.69kg/14.75lb



Weight: 4.42kg/9.75lb








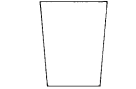






Weight: 6.23kg/13.75lb

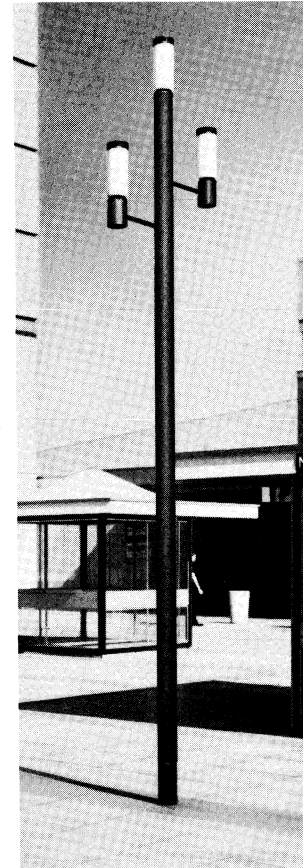


Weight: 11.34kg/25lb

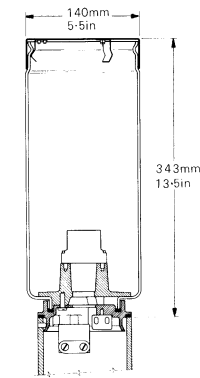
Catalogue number combinations for complete lanterns

BASE CASTING ASSEMBLY	CANOPIES, BOWLS.	INSERT LETTER	ACCESSORIES	ADD SUFFIX
 BASIC CATALOGUE NUMBERS QG6.B1200 Post-top base casting assembly Less gear	 QG6.W 20in dia canopy	W	 GL 1085 2BC lampholder	B22
 QG6.B1080-4 Post-top base casting assembly 80W geared	 QG6.F 10.5in dia canopy	F	 GL 1086 3BC lampholder	B22-3
 QG6.B1125-4 Post-top base casting assembly 125W geared	 QG6.O Acrylic bowl	O	 GL 1087 ES lampholder	E27
 QG6.B1035-4 Post-top base casting assembly 35W geared	 QG6.V Anti-vandal bowl	V	 QP1 Twist & lock type socket	P

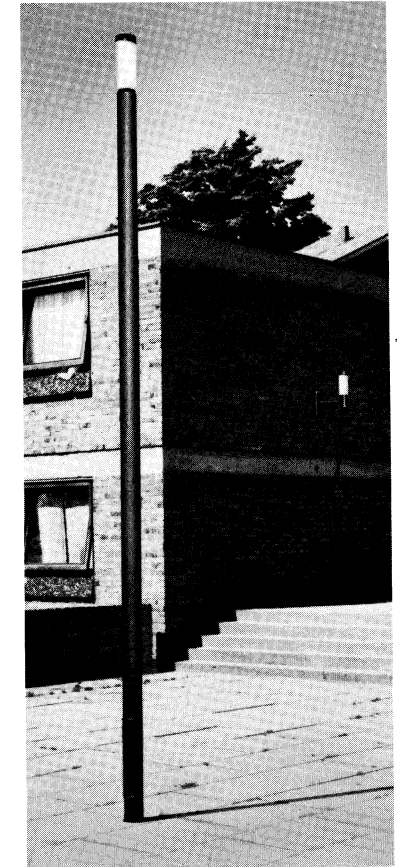
Gamma Seven GLS/mercury



QG7 EFO1080.E27 lantern on QLC 1340/G7 column



Weight: 1.2kg/2.75lb



QG7 EFO1080.E27 lantern on QLC 1540/G7 column and QPRK/1100 wall bracket

Lamps

- One 100W GLS tungsten filament lamp.
- One 80W MBF lamp.

Specification

The base casting is LM6-M aluminium alloy. The bowl is acrylic plastic with a spun aluminium top cap. Control gear for discharge lamp is mounted remote.

Mounting

- Pole top on QLC 1340/G7 or QLC 1540/G7 columns.
 - Wall bracket QPRK 1100.
 - Corner wall bracket QPRM 1100.
- Recommended mounting height: 3.964m/13ft or 5m/16.404ft.
Average spacing/height ratio: 3:1 max.

Catalogue no.

Complete lanterns

Lanterns comprise a base casting assembly, bowl and top cap.
 QG7 EFO1100.B22 for GLS lamp.
 QG7 EFO1080.E27 for GLS or MBF lamp.
 QG7 EFO1080.B22-3 for MBF lamp.

Replacements

- QG7 O Spare bowl.
- QG7 F Spare top cap.

Control gear

Gear set required for discharge lamp.

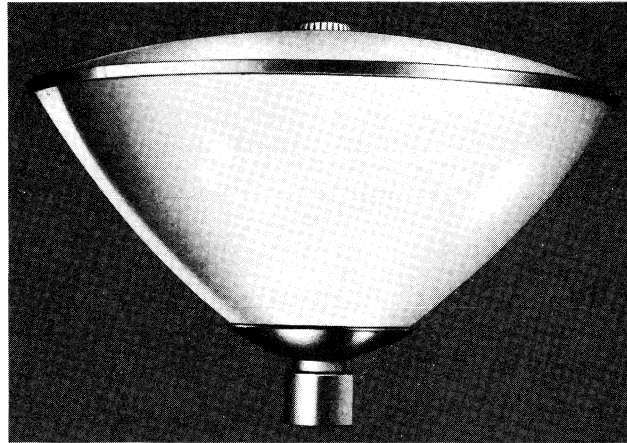
Lamp

80W MBF

Control gear

G 53162.4
 G C2234

Gamma Eight GLS/sodium/mercury



QG8.K O/L 1200-E27

Lamps

- a) One 100W, 150W or 200W tungsten filament lamp
- b) One 80W or 125W MBF/U lamp.

Specification

The canopy is spun aluminium alloy and internally sprayed white. The bowl can be either acrylic or anti-vandal, and the spigot caps are LM6-M aluminium alloy. Control gear for discharge lamps is mounted remote.

Mounting

- a) Post top on a 76 x 76mm/spigot.

- b) post top on a triangular spigot of an LC 1 Leader column.

Recommended mounting height: 5m

Average spacing/height ratio: 3:1.

Catalogue no.

Complete lanterns

Lanterns comprise spigot cap, bowl and lampholder assembly.

QG8 3 x 3 O/L 1200.B22 for GLS.

QG8 3 x 3 O/L 1200.E27 for GLS and MBF/U lamp.

QG8 3 x 3 O/L 1200.B22-3 for MBF/U lamp.

QG8 K O/L.1200.B22 for GLS and MBF/U lamp.

QG8 K O/L 1200.E27 for GLS and MBF/U lamp.

QG8 K O/L 1200.B22/3 for MBF/U lamp.

Packages

QG8 K O Spigot cap (triangular) and bowl assembly.

QG8 3 x 3 O Spigot cap (76 x 76mm) and bowl assembly.

QG8 L.B22 Lampholder assembly (2BC).

QG8 L.E27 Lampholder assembly (ES).

QG8 L.B22-3 Lampholder assembly (3BC).

Replacements

QG8 O Opal acrylic bowl.

QG8 V Vandal bowl.

Control gear

Gear sets required for discharge lamp.

Lamp **Control gear**

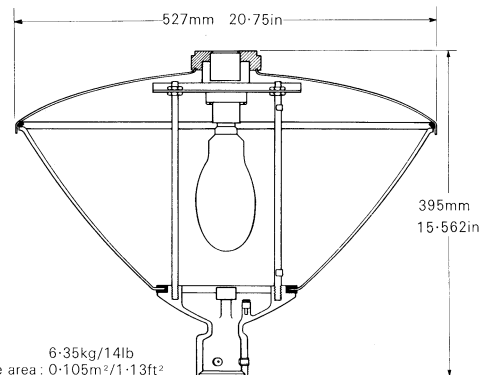
80W MBF/U G 53162.4

125W MBF/U G C2234

G 53159.4

G C2234

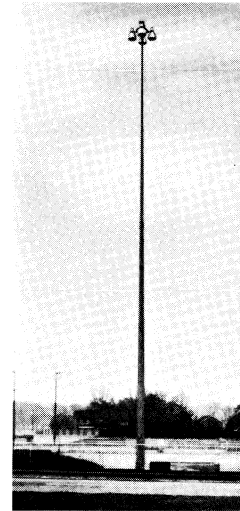
Fitting with vandal bowl can be ordered as a special lantern.



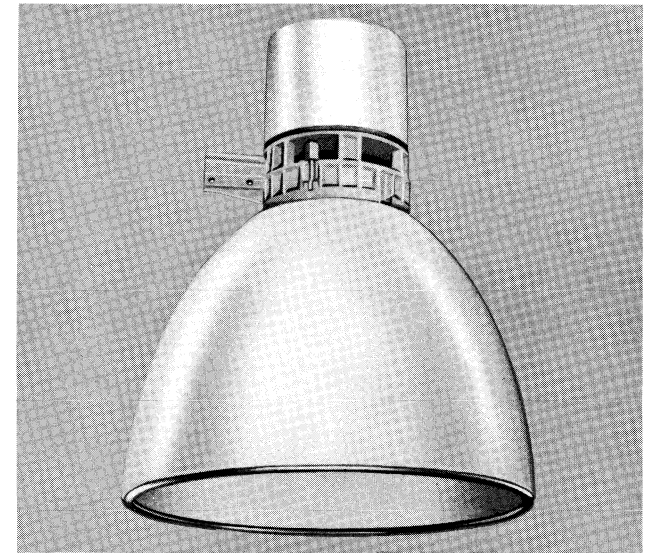
Weight: 6.35kg/14lb
Windage area: 0.105m²/1.13ft²

For vandal bowl replace O with V

High tower lantern



HT 1000 on 30.48m/100ft high mast column



Lamp

One 1000W MBF lamp.

Dimensions

Height 825.5mm/32.5in

Overall diameter 654mm/25.75in

Weight* 25.86kg/57lb.

Windage area 0.236m²/2.45ft²

*With lamp and control gear

Distribution

Cut off with peak at 45° LOR 66%.

Specification

The lamp housing reflector is of spun aluminium with a heat resisting glass, and secured to main body by three quick release swing-down bolts. The main body is of LM6-M aluminium alloy, and provides the side-entry spigot location and gear housing. An aluminium can, secured by a small finial, encloses the gear. The lampholder incorporates a lamp-steady to prevent lamp unscrewing itself due to vibration. Lanterns supplied complete with control gear.

Mounting

Side entry for a 42 x 152mm spigot. Recommended mounting height: 24m and over.

Catalogue no.

HT 1000.4 for 1000W MBF lamp.

Control gear

Control gear supplied with fittings.

Lamp

1000W MBF

Control gear

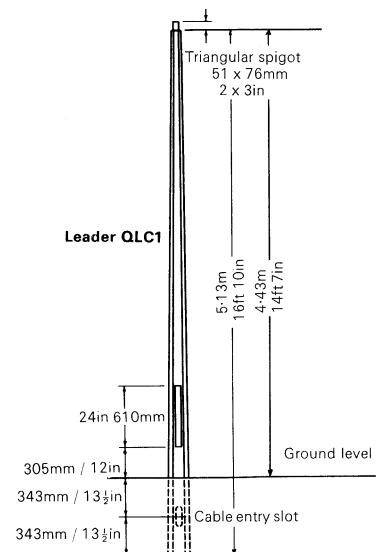
G 53243.4

(2 per lamp)

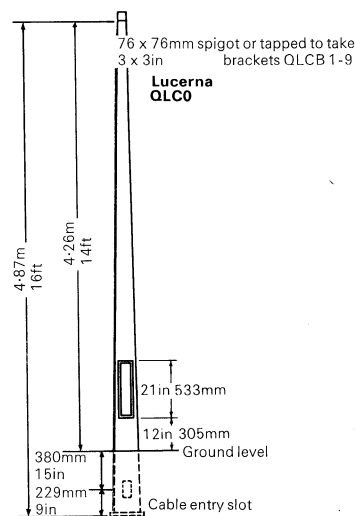
G C2236

(2 per lamp)

Leader and Lucerna columns



Cable entry slot for each column
152 x 76mm/6 x 3in



LUCERNA QLC0

Material
Aluminium alloy NS4.

Spigot casting
Either 3in dia. casting for post-top mounting or tapped casting for QLCB1-9 bracket arms.

Baseboard
Timber
624 x 114mm
24.5 x 4.5in.

Base compartment
610 x 103 x 89mm deep
24 x 4.375 x 3.625in deep

Weight
14.9kg/33lb.

Section
Polygon

LEADER QLC1

Material
HE9-P aluminium alloy.

Spigot castings
LM6-M aluminium alloy.

Baseboard
Timber
624 x 114mm
24.5 x 4.5in.

Base compartment
610 x 86mm
24 x 3.375in.

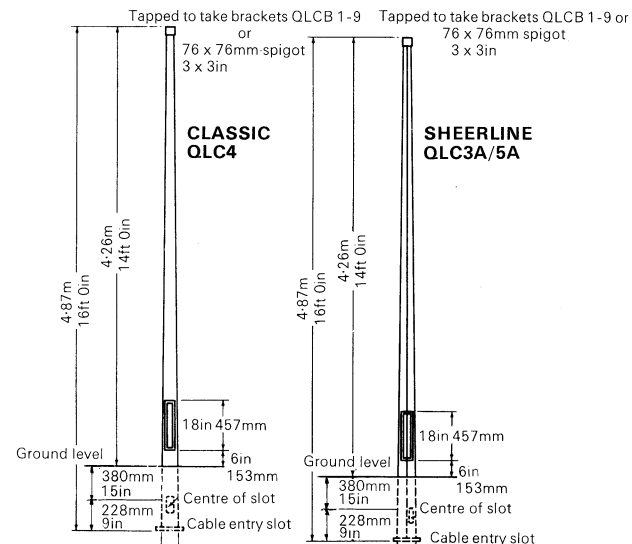
Weight
13.6kg/30lb

Section
Triangular.

Note: WHEN ORDERING COLUMNS PLEASE STATE THE NUMBER OF KEYS REQUIRED AND ALSO THE TYPES OF COLUMN TOP REQUIRED FOR QLC0.

Design Council Approved
Designed to BS.3989

Classic and Sheerline columns



Cable entry slot for each column
152 x 76mm/6 x 3in

SHEERLINE QLC3A

Material
Aluminium alloy NS4.

Spigot casting
Either 3in dia. casting for post-top mounting or tapped casting for QLCB1-9 bracket arms.

Baseboard
Timber
623 x 89mm
24.5 x 3.5in

Base compartment
457 x 99 x 73mm
18 x 3.875 x 2.875in deep.

Weight
13.2kg/29lb.

Section
Hexagonal.



CLASSIC QLC4

Material
Aluminium alloy NS4.

Spigot casting
Either 3in dia. casting for post-top mounting or tapped casting for QLCB1-9 bracket arms.

Baseboard
Timber
623 x 89mm
24.5 x 3.5in

Base compartment
457 x 95 x 102mm
18 x 3.75 x 4in deep.

Weight
14.5kg/32lb.

Section
Square.

SHEERLINE QLC5A

Material
Galvanised (hot-dip) steel.

Spigot casting
Either 3in dia. casting for post-top mounting or tapped casting for QLCB1-9 bracket arms.

Baseboard
Timber
623 x 89mm
24.5 x 3.5in

Base compartment
457 x 99 x 73mm
18 x 3.875 x 2.875in deep.

Weight
34kg/75lb.

Section
Hexagonal.



Note: WHEN ORDERING COLUMNS PLEASE STATE THE NUMBER OF KEYS REQUIRED AND ALSO THE TYPE OF COLUMN TOP ON QLC 3A, 4 & 5A.

Design Council Approved
Designed to BS 3989

8 metre Group A Aluminium Columns

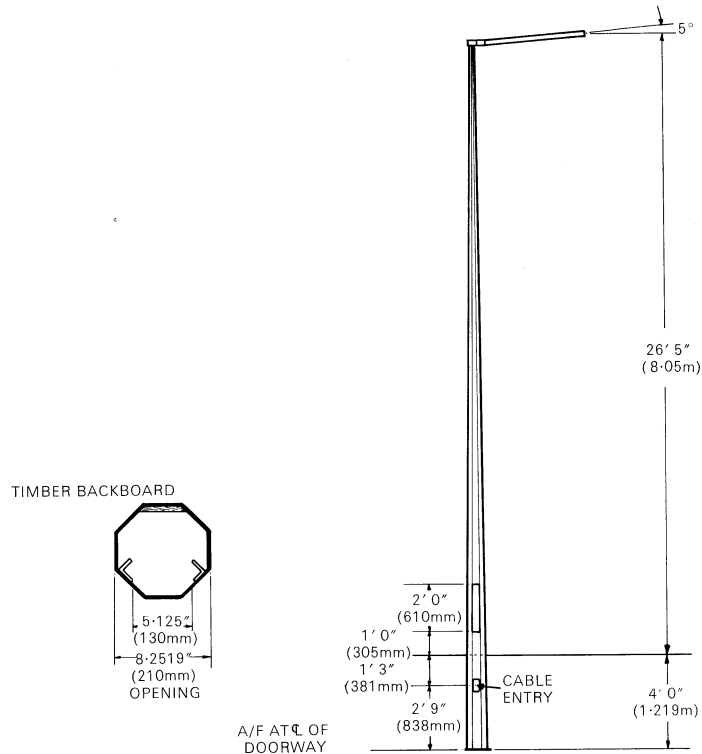
Featuring low weight for transport and erection,
low maintenance cost – no painting required,
increased safety in the event of vehicle impact.

Material	– Aluminium Alloy NS4
Top Casting	– LM6M Silicon Aluminium Alloy
Backboard	– Timber 914mm x 162mm to 143mm (36in x 6.4in to 5.6in) tapered
Door Opening	– 610mm x 130mm (24in x 5.125in)
Earth Connection	– Stainless Steel
Section	– Octagonal, Tapered
Catalogue Number	– QLC.8
Brackets	– Straight Single Arm only 5° uplift QCB.1075 Single Arm 0.75 Metre outreach QCB.1125 Single Arm 1.25 Metre outreach QCB.1200 Single Arm 2.00 Metre outreach

Standard Spigot	42mm x 100mm (1 1/4in BSP x 3.94in)
------------------------	--

Spare Door	Cat. No. QLD.8
Dzus Key	Cat. No. QLK.D

Approved by the Department of the Environment
Approved by the Design Council
Designed to BS. 3989.



A/F AT ϕ OF
DOORWAY

10 metre Group A Aluminium Columns

Featuring low weight for transport and erection, low
maintenance cost – no painting required, increased safety in
the event of vehicle impact.

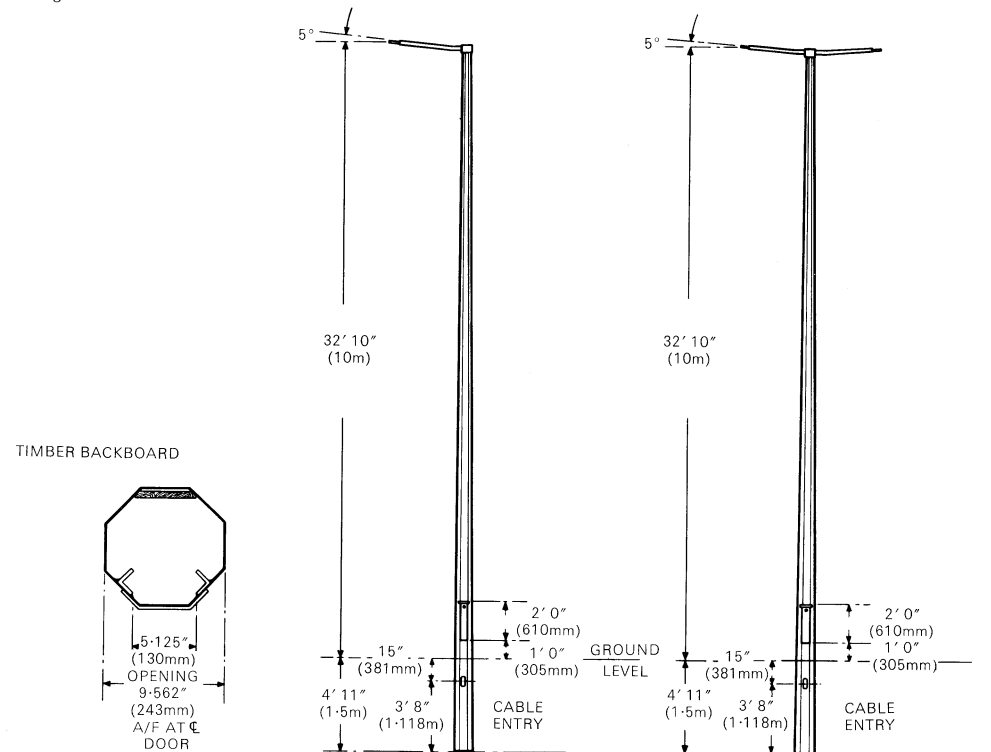
Material	– Aluminium Alloy NS4
Top Casting	– LM6M Silicon Aluminium Alloy
Backboard	– Timber 914mm x 162mm to 143mm (36in x 6.4in to 5.6in) tapered
Door Opening	– 610mm x 130mm (24in x 5.125in)
Earth Connection	– Stainless Steel
Section	– Octagonal, tapered
Catalogue Numbers	– For single arm brackets QLC.10S – For double arm brackets QLC.10D
Brackets	– Straight, single and double arm 5° uplift QCB.1075 Single Arm 0.75 Metre outreach QCB.1125 Single Arm 1.25 Metre outreach QCB.1200 Single Arm 2.00 Metre outreach QCB.1300 Single Arm 3.00 Metre outreach QCB.2150 Double Arm 1.50 Metre span QCB.2250 Double Arm 2.50 Metre span

Standard Spigot	– 42mm x 100mm (1 1/4in BSP x 3.94in)
------------------------	---------------------------------------

Spare Door	– Cat. No. QLD.10
-------------------	-------------------

Dzus Key	– Cat. No. QLK.D
-----------------	------------------

Approved by the Department of the
Environment
Approved by the Design Council
Designed to BS. 3989



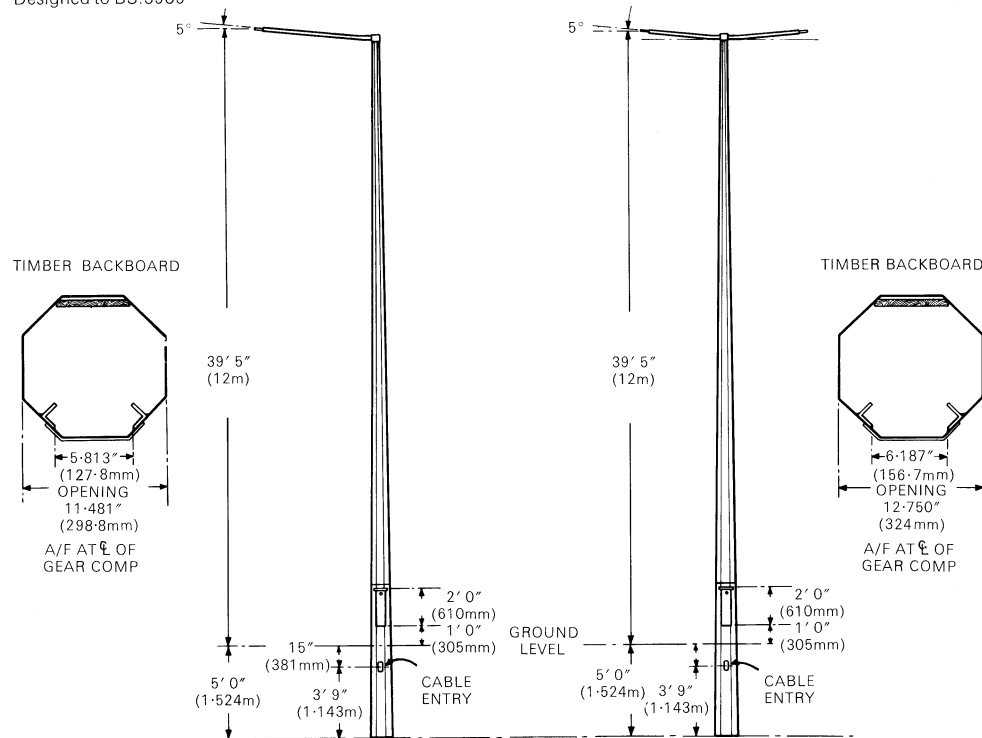
TIMBER BACKBOARD

12 metre Group A Aluminium Columns

Featuring low weight for transport and erection, low maintenance cost – no painting required, increased safety in the event of vehicle impact.

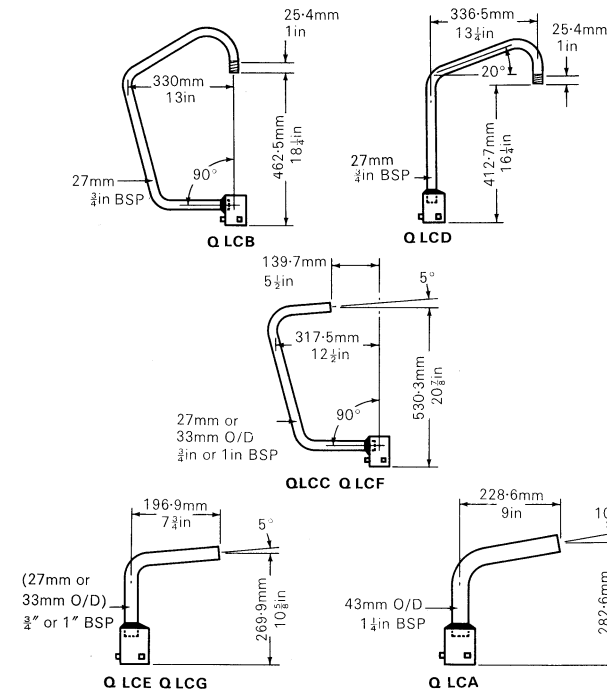
- Material** – Aluminium Alloy NS4
- Top Casting** – LM6M Silicon Aluminium Alloy
- Backboard** – Timber 914mm x 162mm to 143mm (36in x 6.4in to 5.6in) tapered.
- Door Opening** – QLC.12S 610mm x 148mm (24in x 5.8in)
QLC.12D 610mm x 157mm (24in x 6.2in)
- Earth Connection Section** – Stainless Steel
- Section** – Octagonal, tapered
- Catalogue Numbers** – For single arm bracket QLC.12S
– For double arm bracket QLC.12D
- Brackets** – Straight, Single and Double Arm 5° uplift
QCB.1075 Single Arm 0.75 Metre Outreach
QCB.1125 Single Arm 1.25 Metre Outreach
QCB.1200 Single Arm 2.00 Metre Outreach
QCB.1300 Single Arm 3.00 Metre Outreach
QCB.2150 Double Arm 1.50 Metre Span
QCB.2250 Double Arm 2.50 Metre Span
QCB.2400 Double Arm 4.00 Metre Span
- Standard Spigot** – 42mm x 100mm (1½in BSP x 3.94in)
- Spare Door** – Cat. No. QLD.12
- Dzus Key** – Cat. No. QLK.D

Approved by the Department of the Environment
Approved by the Design Council
Designed to BS.3989



Brackets and Spares

BRACKETS FOR USE WITH QLC.1 COLUMN



Materials—Galvanised steel pipe and LM6-M spigot castings.

Catalogue no.

QLCA	1 1/4in BSP S/E	43mm
QLCB	3/8in BSP T/E	27mm
QLCC	3/8in BSP S/E	27mm
QLCD	3/8in BSP T/E	27mm
QLCE	3/8in BSP S/E	27mm
QLCF	1in BSP S/E	33mm
QLCG	1in BSP S/E	33mm
QLCS	3 x 3in dia. Spigot adaptor.	76 x 76mm dia.
QLCT	3 x 2in dia. Spigot adaptor	76 x 51mm dia.

QLKY Yale key for QLC 0/3/4/5.
QLKD Dzus key for QLC 2/3A/5A/8/10/12.

Spare doors

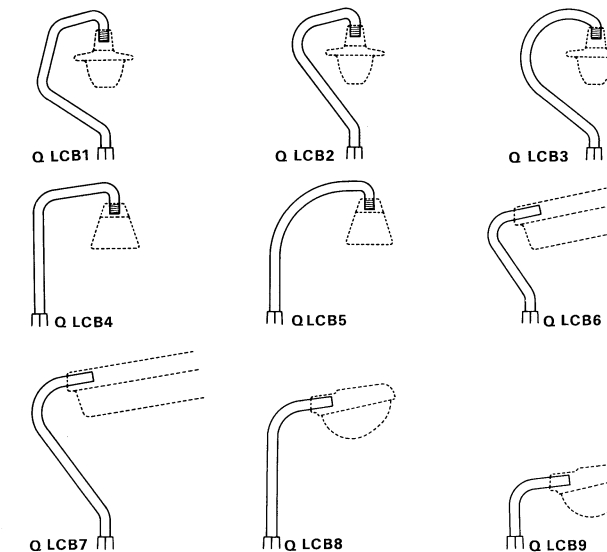
QLD 0	Door for QLC 0	column
QLD 1	Door for QLC 1	column
QLD 3	Door for QLC 3	column
QLD 3A	Door for QLC 3A	column
QLD 4	Door for QLC 4	column
QLD 5	Door for QLC 5	column
QLD 5A	Door for QLC 5A	column
QLD 8	Door for QLC 8	column
QLD 10	Door for QLC 10	column
QLD 12	Door for QLC 12	column

Catalogue no.

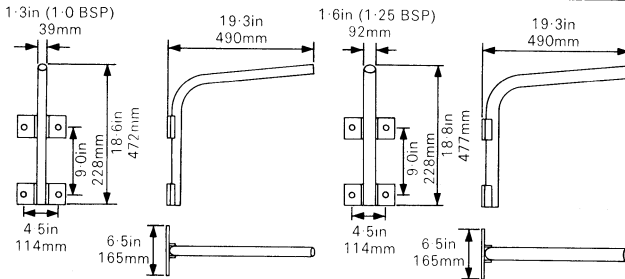
QLCB1	T/entry
QLCB2	T/entry
QLCB3	T/entry
QLCB4	T/entry
QLCB5	T/entry
QLCB6	S/entry
QLCB7	S/entry
QLCB8	S/entry
QLCB9	S/entry

Supplied as standard to suit lanterns with 1in BSP entry (33mm). These brackets can be supplied with adaptors to suit lanterns requiring 3/8in or 1 1/4in entry. When ordering please quote appropriate suffix (e.g. QLCB3/3/8 or QLCB9/1 1/4). They can also be supplied with a spigot cap to convert columns fitted with 3 x 3in spigots into bracket arm types. When ordering please quote suffix SC (e.g. QLCB3/SC or QLCB9/1 1/4/SC).

BRACKETS FOR USE WITH QLC3/5, QLC4, QLCO COLUMNS

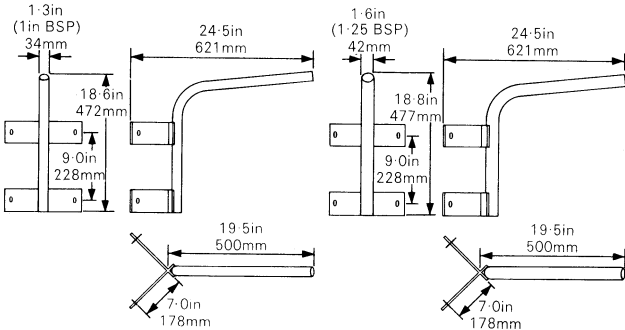


Aluminium wall Brackets and Boxes



FLAT WALL BRACKET QWB 34

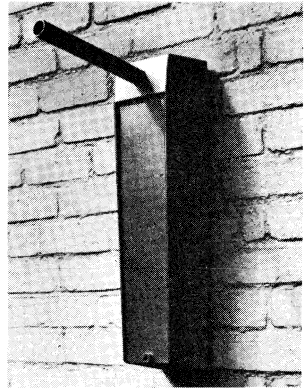
FLAT WALL BRACKET QWB 42



CORNER WALL BRACKET QWBC 34

CORNER WALL BRACKET QWBC 42

OUTSIDE LIGHTING BOX



Material Aluminium alloy NS4

Bracket casting

LM6-M aluminium alloy

12in outreach (304mm)

Backboards HE9-P extruded tube

24 x 3 1/2 in / 610 x 89mm

Lock Dzus type

Base compartment

26 x 6 1/8 x 5 3/8 in deep

(external)

660 x 156 x 137mm deep

Weight 11lb/5kg

Catalogue No.

OLB 26 OLB 33 OLB 44

1 1/4 in BSP 1 in BSP 1 1/2 in BSP

34mm ø 34mm ø 42mm ø

T/entry S/entry S/entry

Wall Brackets

Wall brackets are formed in HT9 aluminium alloy tube and are available for either flat wall or corner wall mounting, for use with either 34mm or 42mm (1in or 1 1/4 in BSP) side entry lanterns.

Catalogue Nos.

QWB 34

QWB 42

QWBC 34

QWBC 42

Description

Flat wall mounting for

34mm S/E

Flat wall mounting for

42mm S/E

Corner wall mounting for

34mm S/E

Corner wall mounting for

42mm S/E