

THE VEN-O-LITE PHOTO-ELECTRIC STREET LIGHTING CONTROLLER

The Ven-O-Lite Controller is designed to meet the ever increasing need to promote safety on the roads, by switching street lighting ON when the intensity of natural daylight falls below a predetermined level.

This controller reacts in a manner similar to the human eye with regard to its response to light. It operates purely from daylight values and will switch the lights ON at any time of the day when natural daylight intensity falls due to fog or persistent heavy cloud conditions as well as at dusk each evening.

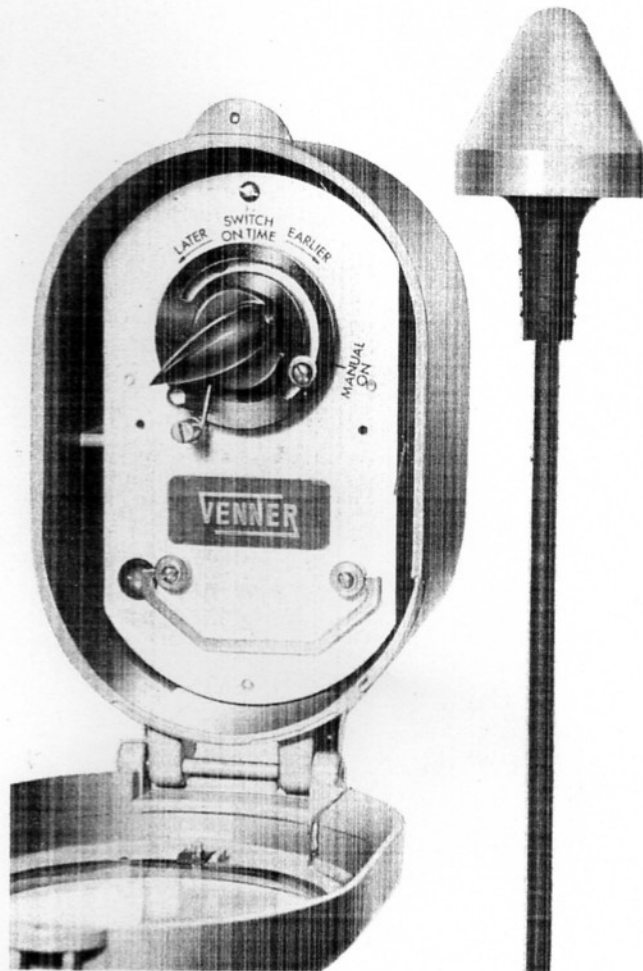
Thus artificial lighting is always automatically switched ON when natural daylight is inadequate to safeguard motorists and pedestrians.

'Fail Safe' operation is provided. If any part of the controller fails to function the lighting will switch ON and remain ON until the fault is rectified.

A delay of approximately 30 seconds prevents false switching due to transient cloud movement or spurious flashes of light. The photo-electric cell is housed in a translucent plastic housing, the plastic chosen being completely non-oxidising and impervious to discolouration from dirt and soot. The properties of the plastic also afford maximum protection for the cell, filtering out harmful ultra-violet rays.

The control unit, housed in the base compartment of the lighting column, is a plug-in unit and has been designed to fit the standard Venner street lighting die-cast metal dust-proof box, type C151. A test position on this unit enables the lamp to be checked during daylight hours.

The photo cell unit is easily fitted into a $\frac{1}{2}$ " dia. hole, the stepped tapered Neoprene holder being a force fit into the hole.



FOR FULL SPECIFICATION SEE OVERLEAF

SPECIFICATION

SWITCH RATING: The snap-action switch is rated at 1,000 Watts for incandescent or discharge lighting.

OPERATING VOLTAGE: 200/250 volts. 50 cycles.

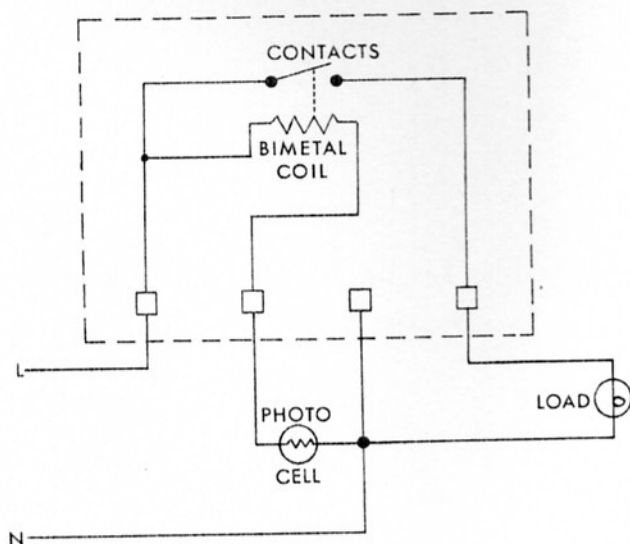
TEMPERATURE RANGE: The controller is designed to provide uniform operation over a wide range of ambient temperatures, the bimetal switch being fully compensated and will operate efficiently at temperatures from -30°C to $+60^{\circ}\text{C}$

OPERATION: Calibrated to switch ON at 5 lumens/sq. ft. (53.8 lux) a recommended setting for street lighting which ensures that discharge lamps have sufficient time to attain full brilliance. Switch OFF is automatically related to the switch ON calibration thus preventing instability due to temporary changes in light levels.

Controller can be accurately calibrated between 1 - 20 lumens/sq. ft. (10.8 to 215 lux)

DIMENSIONS: Photo Cell Unit.
Height 3"
Diameter $1\frac{3}{4}$ "
C151 Box for control unit.
 $3\frac{3}{4}$ " wide x $3\frac{5}{8}$ " deep x 6" high.

WIRING



LIST PRICES

Complete with control unit housed in C151 Box £5. 10. 0.

Complete, but control unit supplied with four-way terminal block without C151 Box £4. 10. 6.

VENNER LIMITED KINGSTON BY-PASS NEW MALDEN SURREY Telephone 01-942 2442