

STREET LIGHTING

A. C. FORD (DUDLEY) LTD.



SIDE ROAD LANTERNS



AC 762

For
 60 – 200 WATTS GLS Lamps BC
 80 – 125 WATTS MBF/U Lamps 3BC or ES
 35 WATTS SOX Sodium Lamps BC
 70 WATTS SON Sodium Lamps ES

The Lantern is designed for Class 'B' roads, industrial roadway and general amenity lighting mounting on a 76 x 76mm Spigot. Has a prismatic glass refractor bowl to give symmetric diffused light by means of an opal perspex bowl.

Weight 2.472 Kilos Height 535 mm
 Wind Area 0.0952 m² Diameter 535 mm



AC 764

For
 60 – 200 WATTS GLS Lamps BC
 80 – 125 WATTS MBF/U Lamps 3BC or ES
 35 WATTS SOX Sodium Lamps BC
 70 WATTS SON Sodium Lamps ES

The Lantern is designed for Class 'B' roads, industrial roadway and general amenity lighting mounting on a 76 x 76mm Spigot. Has a prismatic glass refractor bowl to give symmetric diffused light by means of an opal perspex bowl.

Weight 2.25 Kilos Height 535 mm
 Wind Area 0.897 m² Diameter 330 mm



AC780

For 2 or 4 600mm 40 Watts Lamps BI-Pin.

The Lantern is designed for Class 'B' roads, industrial roadway and general amenity lighting. Mounting on a 76 x 76mm Spigot. All the control gear is mounted within the Lantern to give a diffused symmetric light by means of the opal perspex bowl.

Weight 6.32 Kilos Height 810 mm
 Wind Area 1.952 m² Diameter 305 mm

AC 782

Specification as AC 780.

Weight 6.32 Kilos Height 810 mm
 Wind Area 1.952 m² Diameter 330 mm



SIDE ROAD LANTERNS



AC 810

For
 60 – 200 WATTS GLS Lamps BC
 80 – 125 WATTS MBF/U Lamps 3BC or ES
 70 WATTS SON Sodium Lamps ES

The Lantern is designed for Class 'B' roads and industrial roadway lighting.

Suitable for mounting on $\frac{3}{4}$ ", 1" or $1\frac{1}{4}$ " BSP tube, side entry, either horizontal or uplifted. Anti-vandal U.V. stabilised polycarbonate oval prismatic bowl to give asymmetric light distribution.

		Height	190 mm
Weight	1.92 Kilos	Width	280 mm
Wind Area	0.0878 m ²	Length	355 mm

AC 848

For
 80 – 125 Watts MBF U Lamps 3BC or ES
 70 Watts SON Lamps ES

The Lantern is designed to meet the need for the replacement of the old type lighting with new energy conservation mercury or sodium discharge lamps by way of the anti-vandal, U.V. stabilised polycarbonate prismatic bowl to give asymmetric light distribution. Suitable for $\frac{3}{4}$ " or 1" BSP, top entry mounting.

Wind Area	0.0896 m ²	Width	280 mm
Height	315 mm	Length	355 mm
Weight	80 Watts 5.25 Kg	125 Watts	5.50 Kg



AC 850

For
 80 – 125 Watts MBF U Lamps 3BC or ES
 70 Watts SON Lamps ES

The Lantern is designed to meet the need for the replacement of the old type lighting with new energy conservation mercury or sodium discharge lamps by way of the anti-vandal, U.V. stabilized polycarbonate prismatic bowl to give asymmetric light distribution. Suitable for $\frac{3}{4}$ " or 1" BSP, side entry mounting.

Weight	80 Watts 5.75 Kg		
	125 Watts 6.00 Kg		
Wind Area	0.892 m ²	Width	280 mm
Height	255 mm	Length	355 mm



SIDE ROAD LANTERNS

AC 710/712

For 35 Watts Sodium Lamps B.C.

The Lantern is designed for Class 'B' roads and industrial roadway lighting. Light distribution is effected by means of perspex refraction plates, cemented into the translucent perspex bowl. Mounting is $\frac{3}{4}$ " or 1" BSP top or side entry.

Weight	3.62 Kilos
Wind Area	0.073 m ²
Length	480 mm
Height	178 mm
Width	228 mm

AC 730

For
60 – 200 Watts G.L.S. Lamp B.C.
50 – 125 Watts MBF/U Lamps, 3-pin BC or ES.
70 Watts Son Lamps ES.

The Lantern is designed for Class 'B' roads and industrial roadway lighting. Symmetric light is by means of a two-piece anti-vandal UV stabilised polycarbonate refractor and bowl. Mounting is $\frac{3}{4}$ " BSP or as specified.

Weight	2.09 Kilos	Diameter	255 mm
Wind Area	0.0476 m ²	Height	300 mm



AC 796

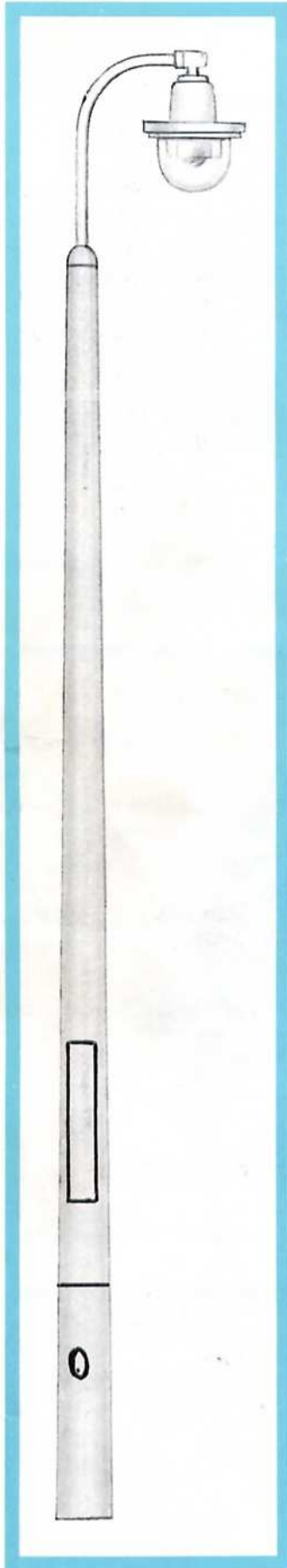
For 2–600 mm 40 Watts Lamps Bi-Pin.

The Lantern is designed for Class 'B' roads, industrial roadway and general amenity lighting. The control gear is mounted within the lantern, diffused light is by opal perspex bowl. Suitable for $\frac{3}{4}$ " or 1" BSP, side entry mounting, horizontal or uplifted.

Weight	6.57 Kilos
Wind Area	0.161 m ²
Length	680 mm
Width	145 mm
Height	140 mm



LIGHTING COLUMNS GRP



G.R.P. street lighting columns offer unequalled advantages in terms of freedom from maintenance, light weight for low cost installation, absence of corrosion and reduced accident risk. Made from a high strength combination of glass fibre woven cloth, glass mat and polyester resins, colour pigments are an inbuilt feature and permanent. Galvanising, painting or plastic coatings are not required to protect surfaces externally or internally.

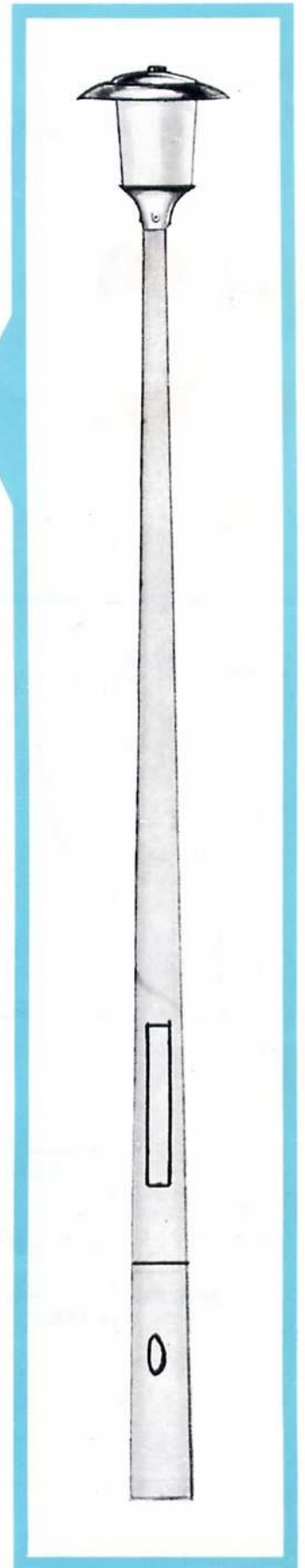
The standard range of columns for any mounting height up to 6 metres is available and suitable for post top or side entry lanterns.

Columns are manufactured as one-piece jointless fibreglass mouldings. The flush fitting door is secured by two stainless steel socket screws which are effectively secure and tamper resistant and yet unobtrusive. The base compartment is fitted with an impregnated timber backboard secured to the column with stainless steel screws so that it can be removed if required but only from inside the column.

The low weight of G.R.P. columns (approximately 16 kg for the 5 metre version), combined with natural frangibility, makes it the safest available column on the market.

Standard dimensions of columns are given in the table below. Non-standard dimensions and mounting heights above 6 metres can generally be provided at reasonably short notice.

DIMENSION 'A'	STANDARD 15'0"- 4.57m.	16'5"- 5m.	19'8"- 6m.
DIMENSION 'B'	2'0"- 610mm.	2'0"- 610mm.	2'6"- 760mm.
OVERALL LENGTH	16'4"- 4.98m.	17'9"- 5.41m.	21'6"- 6.55m.



CONVERSION-CONSERVATION-BRACKETS



These brackets have been designed for the conversion of existing gas lighting to electricity. The brackets are manufactured from the best quality material and particular attention is paid to the shape of the swan-neck to present a symmetrical appliance when fitted.

The control gear is cast integral with the spigot cap which is suitably webbed to give maximum strength.

For top entry or side entry as required.

All units are fitted with wooden base board for ease of fixing equipment.

Swan-neck can be made $\frac{3}{4}$ " or 1" B.S.P. to give any mounting height.

Type of Bracket	Spigot Sizes Available mm	Dimension of Control Gear Box			Material
		Height	Width	Depth	
A.C. 58	63 76 89	—	—	—	Cast Iron
A.C. 166	76 89	210	120	89 x	
A.C. 174	76 89	235	165	100	or Aluminium
A.C. 402	76 89	267	127	114	
A.C. 376	76 89	345	140	120	
A.C. 604	76 89	385	127	127	
A.C. 186	76 89	250	192	140	
A.C. 288	76 89	380	172	140	
A.C. 434	76 89	457	172	140	



AC 174/166/402/604

AC 186/288/434

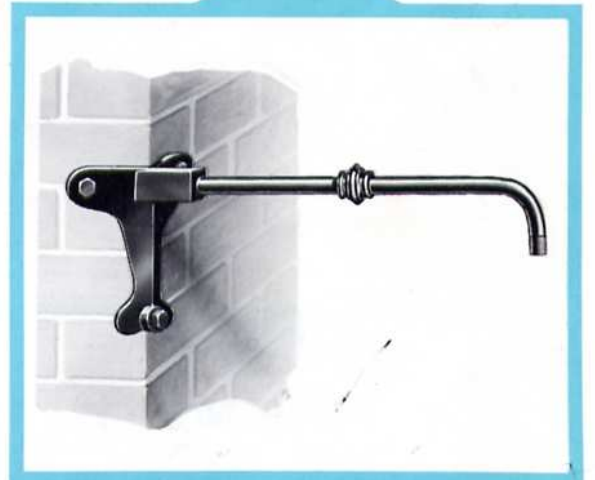


AC 34

Corner Wall Mounting.
 $\frac{3}{4}$ " B.S.P. Top Entry or Side Entry.
20mm or $\frac{3}{4}$ " B.S.P. Cable Entry.

AC 84

Wood Pole Mounting.
·5m to 3m projection.
20mm or $\frac{3}{4}$ " B.S.P. cable entry.



AC 68

Wood and Steel Pole.

AC 74

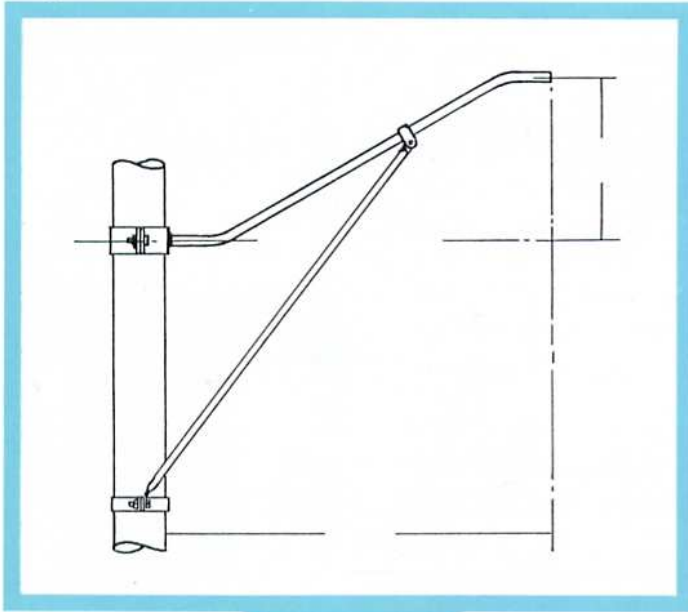
Corner Wall Mounting.

AC 76

$\frac{3}{4}$ " B.S.P. Tube. Flat Wall Mounting.
530 projection. 560mm uplift.

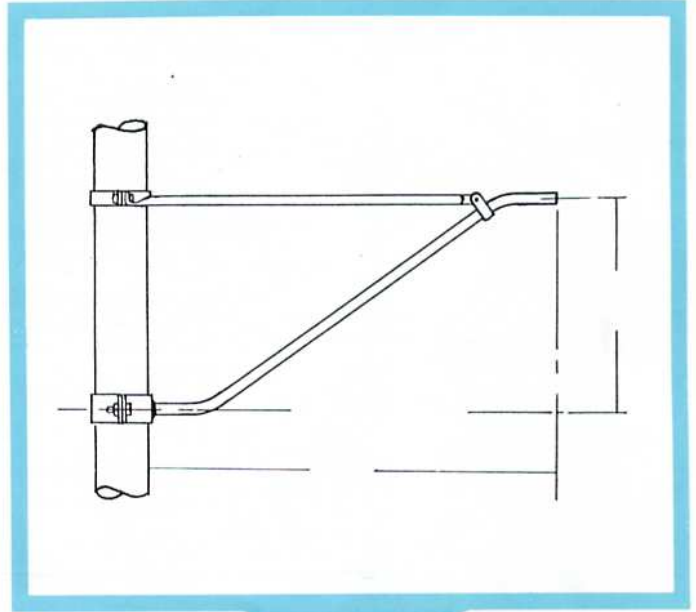


MAIN ROAD BRACKETS



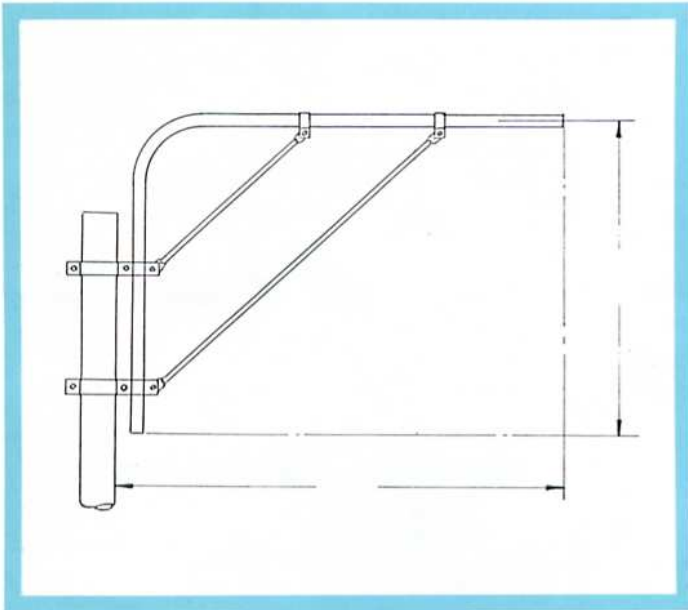
TYPE No. 8

Wood and Steel Pole.
Corner Wall Mounting.
20mm or $\frac{3}{4}$ " B.S.P. Cable Entry.



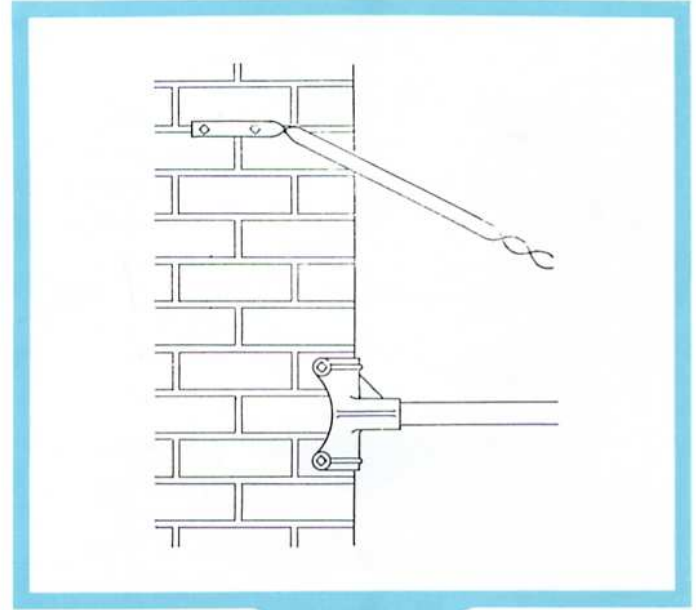
TYPE No. 9

Wood and Steel Pole.
Flat or Corner Wall Mounting.
20mm or $\frac{3}{4}$ " B.S.P. Cable Entry.



TYPE No. 11

Wood or Steel Pole.
Flat or Corner Wall Mounting.
20mm or $\frac{3}{4}$ " B.S.P. Cable Entry.

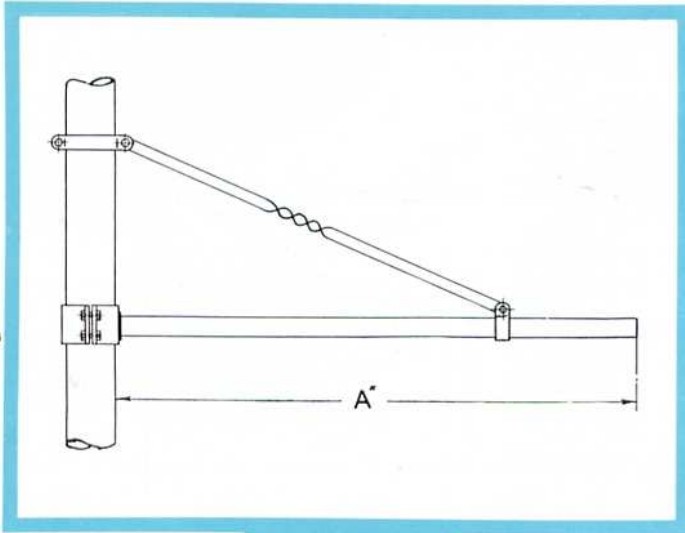


TYPE No. 14

Corner Wall Mounting.
20mm or $\frac{3}{4}$ " B.S.P. Cable Entry.

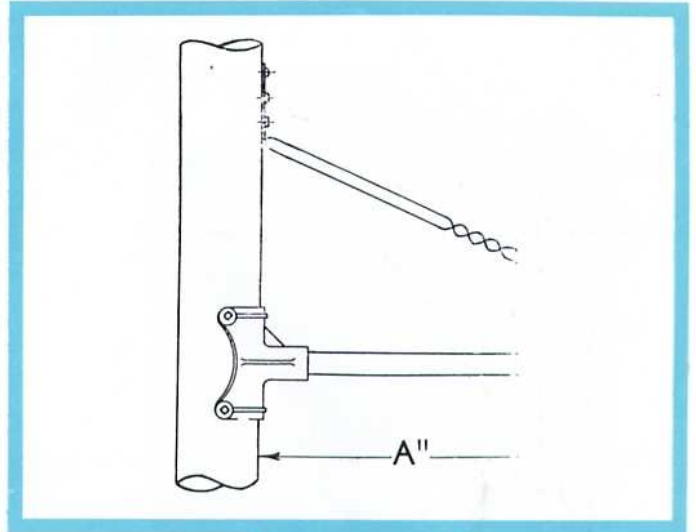
$1\frac{1}{4}$ " OR $1\frac{1}{2}$ " B.S.P. TUBE, PROJECTION 300mm TO 3m
PLEASE STATE DIAMETER OF POLES AND PROJECTION REQUIRED

MAIN ROAD BRACKETS



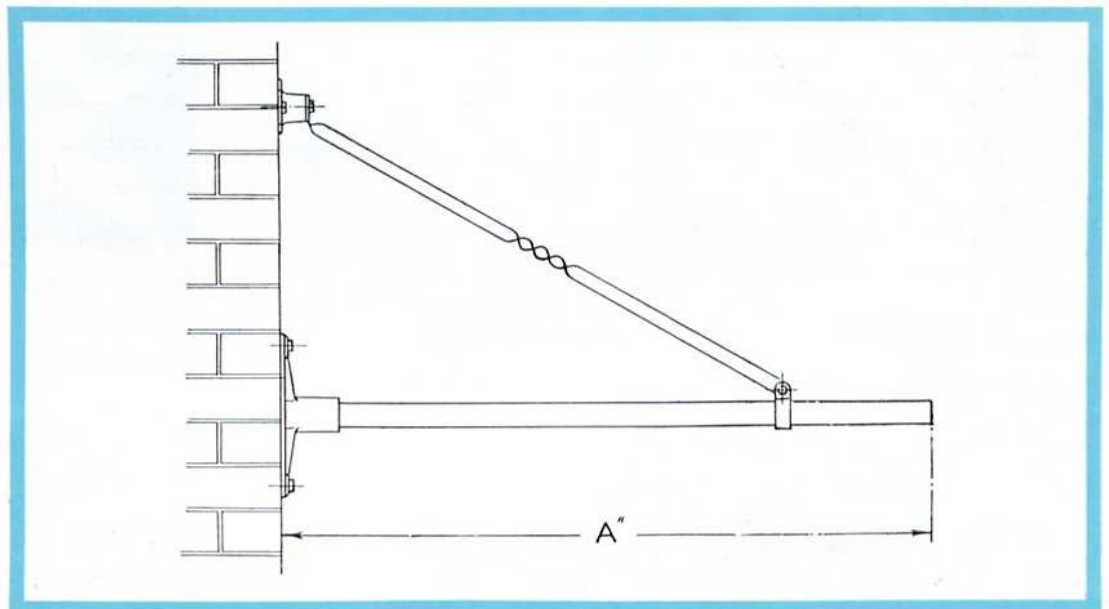
TYPE No. 15

Steel Pole Mounting.
20mm or $\frac{3}{4}$ " B.S.P. Cable Entry.



TYPE No. 16

Wood Pole Mounting.
20mm or $\frac{3}{4}$ " B.S.P. Cable Entry.



TYPE No. 17

Flat Wall Mounting.
20mm or $\frac{3}{4}$ " B.S.P. Cable Entry.

$1\frac{1}{4}$ " OR $1\frac{1}{2}$ " B.S.P. TUBE, PROJECTION 300mm TO 3m
PLEASE STATE DIAMETER OF POLES AND PROJECTION REQUIRED

CONTROL GEAR BOXES

CAST BOXES

AC 212



Cat. No.	Internal Dimensions		
	Height mm	Width mm	Depth mm
A.C. 42	97	67	43
A.C. 707	135	83	56
A.C. 165	235	165	100
A.C. 176	215	120	90
A.C. 260	127	127	95
A.C. 746	210	120	110
A.C. 212	280	170	140
A.C. 234	380	170	140
A.C. 434	455	170	140
A.C. 70	340	127	108
A.C. 406	340	140	140
A.C. 786	560	152	102
A.C. 812	280	280	140

P.V.C. BOXES

AC 900

Size	Height mm	Width mm	Depth mm
A.C. 634	221	152	74
A.C. 900	308	200	115
A.C. 902	457	200	115
A.C. 904	355	255	115
A.C. 906	610	200	115
No. 1	508	330	152
No. 2	655	456	152



SPECIFICATION

These boxes have been designed to provide a lightweight non-corrosive trouble-free unit to house control gear.

The box and lid are made from I.C.I. 'Darvic' Rigid P.V.C., which is particularly suitable for this purpose. It is hard and tough with excellent resistance to impact and exceptional resistance to acids, alkalis and a wide range of chemicals. It is stain resistant, easy to maintain and never needs painting, although it can be painted if desired. 'Darvic' is self extinguishing, having a Class 2 fire rating as defined in B.S.476 (Part 1). It is unaffected by temperature change between minus 30 degrees C. (20 degrees F.) and 60 degrees C. (140 degrees F.).

The lid is secured to the box by means of two nylon hinges and fastened by means of a nylon bolt triangular key operated lock.

The base board is carried on a galvanised sheet steel plate which extends up the ends of the box and is drilled as required for cable entry and mounting.

The boxes may be mounted direct to any of our brackets and for this purpose a plastic spacer, nipple and lock nut are provided. Wall or pole clamps can be supplied if required.

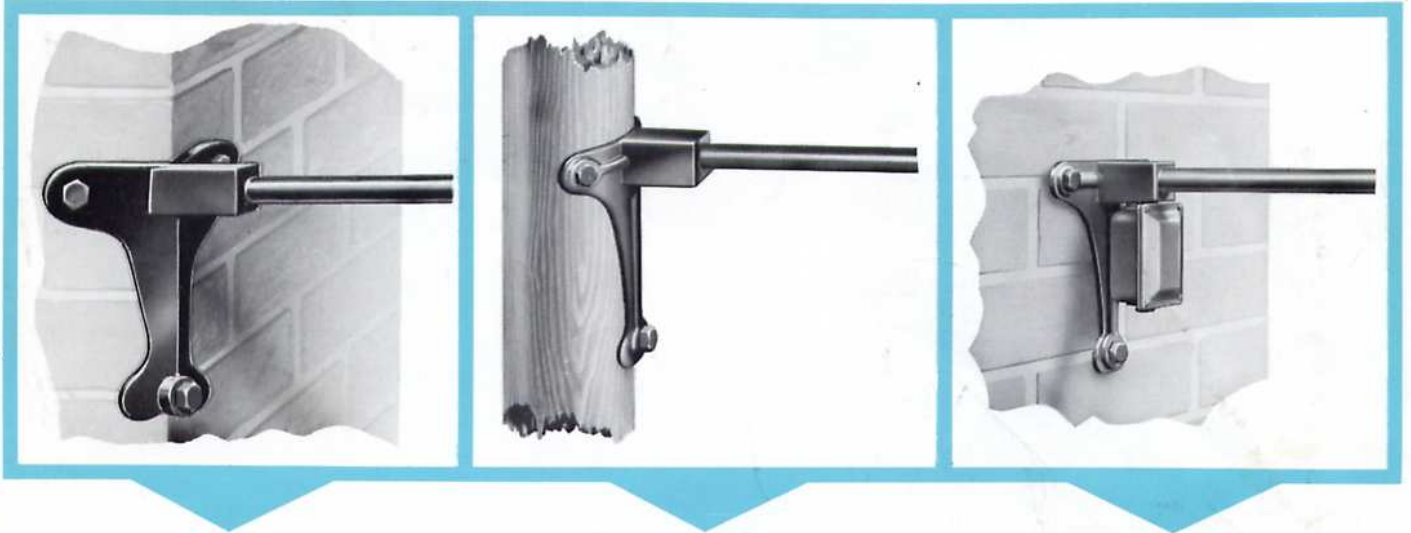
When ordering please state: (a) type of box;
(b) entries required.
(c) methods of mounting.

All Control Gear Boxes are supplied with Base Board for ease of fixing the Gear.

The above boxes can be supplied as separate items, or fitted to any of the pole or wall mounting brackets shown in our lists. They can be drilled or tapped for Top or Bottom entry as required. Wall or pole straps can be supplied.

PLEASE STATE SIZE AND POSITION OF ENTRY HOLES WHEN ORDERING.

POLE BRACKETS



AC 34

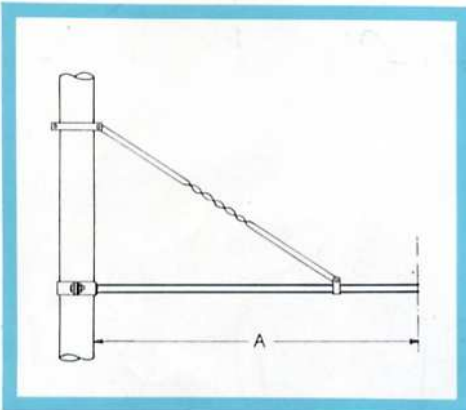
Corner Wall Mounting.
Projection 300mm to 3m.
3/4" B.S.P. Top Entry or
3/4" or 1" B.S.P. Side Entry.
Cable Entry 20mm or 3/4" B.S.P.

TYPE 12

Pole Mounting.
Projection 300mm to 3m.
3/4" B.S.P. Top Entry or
3/4" or 1" B.S.P. Side Entry.

AC 184

Flat Wall Mounting.
Projection 300mm to 3m.
3/4" B.S.P. Top Entry or
3/4" or 1" B.S.P. Side Entry.



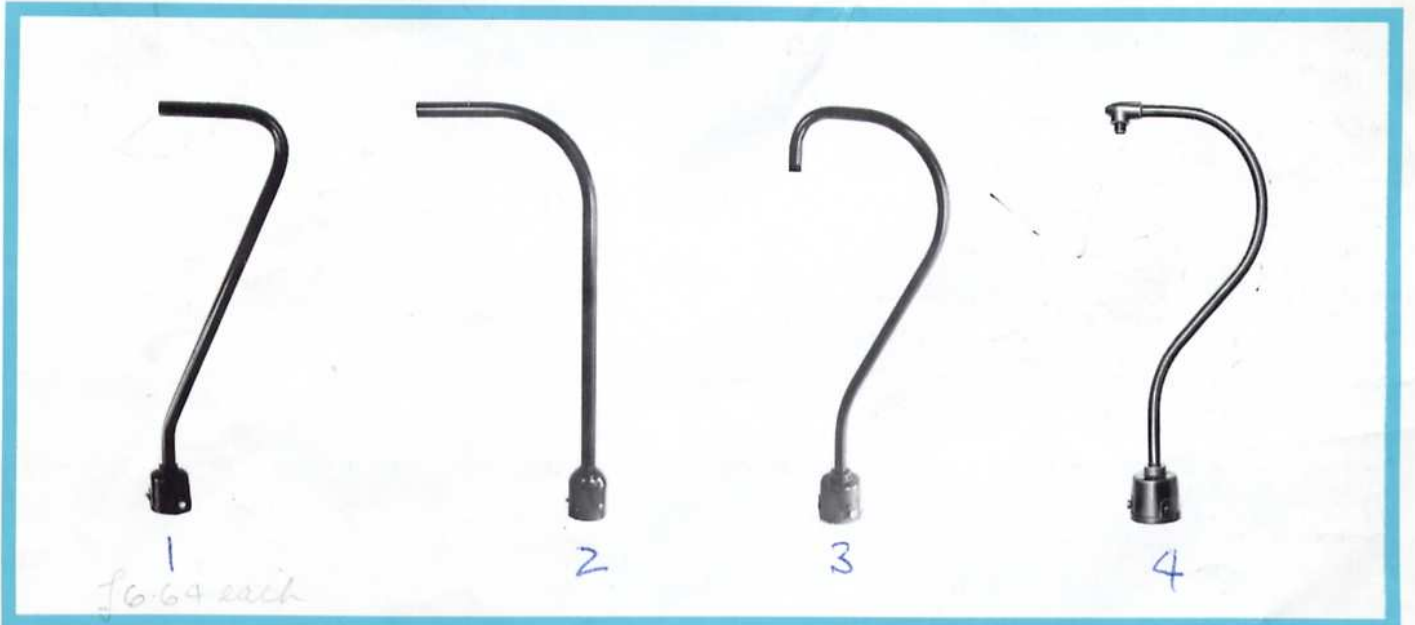
TYPE No. 7

Top or Side Entry.
Projection 300m to 3m.
Cable Entry 20mm 3/4"
or 1" B.S.P.



AC 1001

Wall or Pole Mounting.
·5 to 1 m Projection.
Fabricated brackets
for all types to your
requirements.



1
16.64 each
May '82

AC 58

Brackets — any shape, size or finish to your requirements
STEEL OR CAST SPIGOT CAP

AC 888



CONTRACT SPECIALIST GOVERNMENT CONTRACTS EXPORTERS ANYWHERE COMPETITIVE RATES PROMPT DELIVERY ESTABLISHED 1942 QUALITY ASSURED MOD APPROVED

Dudley 53701

TOP QUALITY

HIGH FINISH

FINEST MATERIAL

LOCKABLE



WEATHER PROOF

STAINLESS FITTINGS

I.C.I. DARVIC

MOD CONTRACTS

AC 902

0384/53701

A. C. FORD (DUDLEY) LTD.

DUDLEY ROW, DUDLEY, WEST MIDLANDS

TELEPHONE: DUDLEY 53701