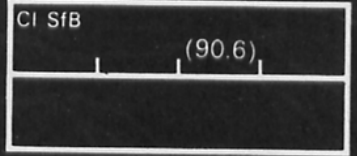
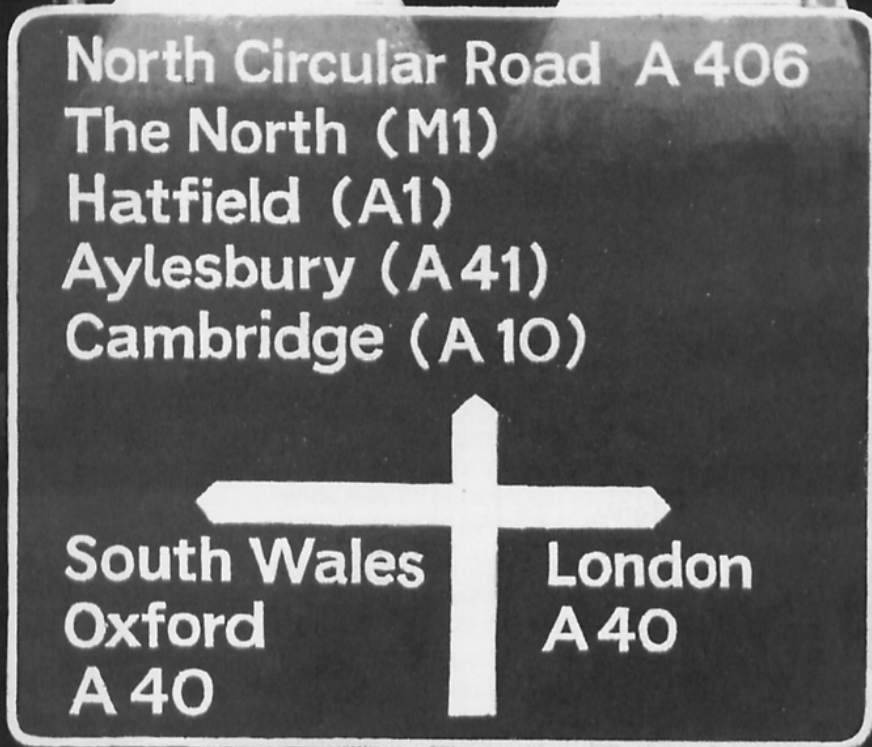


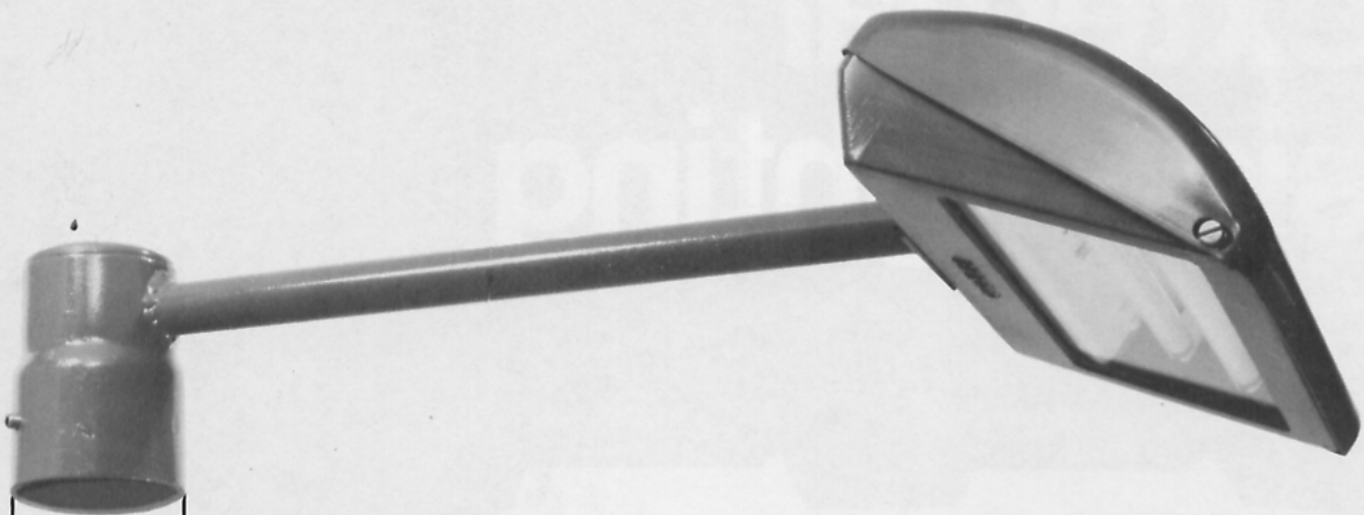
Bergoflorry external sign lighting



Leaflet No BD3a April 1980



Bergoflorry exte



Bergoflorry 28

The Bergoflorry 28 is a lighting fitting designed for the external illumination of signs by two 8 watt fluorescent lamps. It will illuminate signs up to 762mm 2' 6" deep by 914mm 3' 0" wide, in accordance with the requirements laid down in Chapter II of the Traffic Signs Manual. Signs wider than 914mm 3' 0" may be illuminated by two or more fittings, mounted on top of the supporting posts above the sign.

Specification

The body comprises a cast aluminium bottom tray, glazed with Perspex. Access is obtained by means of a hinged canopy, made from galvanised sheet steel and stove enamelled grey.

The lighting unit is also hinged to the bottom tray, and comprises two 8 watt fluorescent lamps, with ballasts, starters, and terminal block, all easily accessible for servicing or replacement. A 3.25 mfd capacitor, or power factor corrector, is supplied if required, as an optional extra.

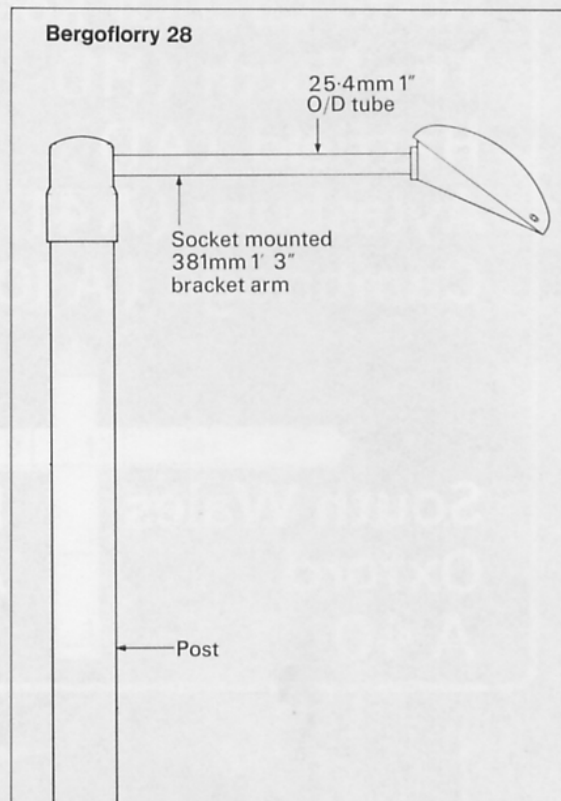
The bracket arm is 38cm 15" long, made from 25.4mm 1" dia. tubular steel, rustproofed by zinc spray and stove enamelled grey. The bracket is securely bolted to the bottom tray and is mounted onto the post by means of a socket, for 76mm 3" posts, or a clip of suitable diameter for larger sized posts.

In order to identify the type of fixing clip or socket required, the following method of description is used.

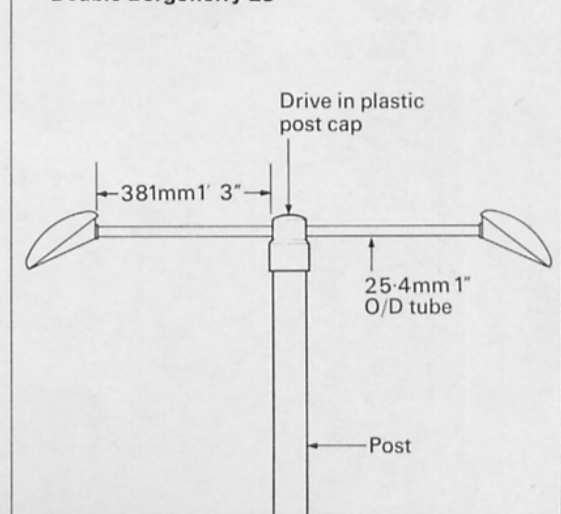
Bergoflorry 28/S3"	Bracket arm with 76mm 3" Socket.
Bergoflorry 28/C3"	Bracket arm with 76mm 3" Clip.
Bergoflorry 28/C3½"	Bracket arm with 89mm 3½" Clip.
Bergoflorry 28/C4½"	Bracket arm with 114mm 4½" Clip.

Double Bergoflorry 28

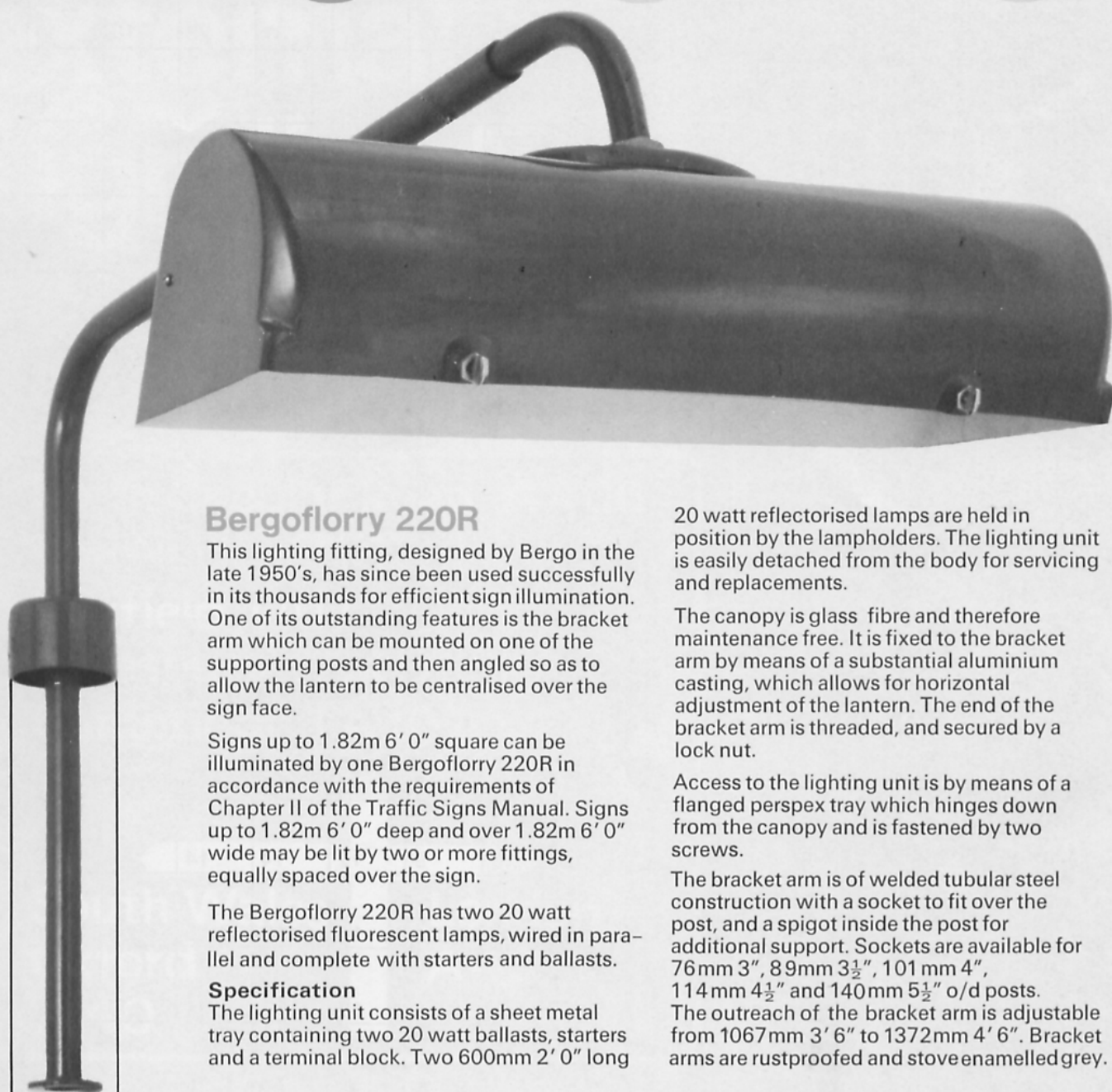
This fitting consists of two Bergoflorry 28 units welded "fore and aft" on a common 76mm 3" socket. It is used for illuminating sign assemblies where two signs are mounted back to back, for example, on Speed Limit signs.



Double Bergoflorry 28



Internal sign lighting



Bergoflorry 220R

This lighting fitting, designed by Bergo in the late 1950's, has since been used successfully in its thousands for efficient sign illumination. One of its outstanding features is the bracket arm which can be mounted on one of the supporting posts and then angled so as to allow the lantern to be centralised over the sign face.

Signs up to 1.82m 6' 0" square can be illuminated by one Bergoflorry 220R in accordance with the requirements of Chapter II of the Traffic Signs Manual. Signs up to 1.82m 6' 0" deep and over 1.82m 6' 0" wide may be lit by two or more fittings, equally spaced over the sign.

The Bergoflorry 220R has two 20 watt reflectorised fluorescent lamps, wired in parallel and complete with starters and ballasts.

Specification

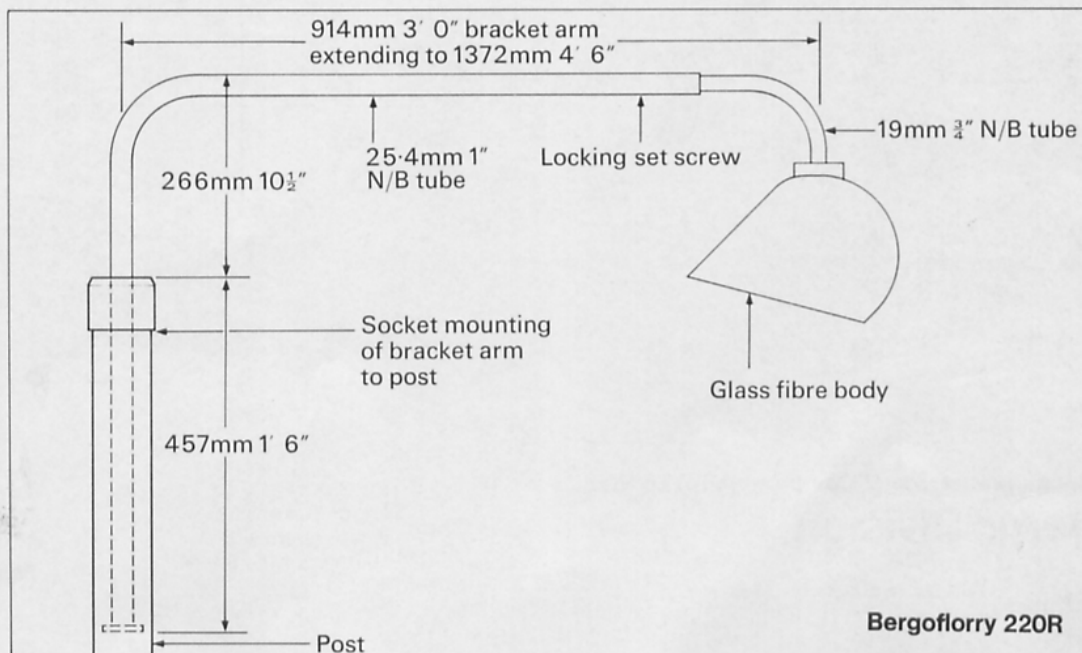
The lighting unit consists of a sheet metal tray containing two 20 watt ballasts, starters and a terminal block. Two 600mm 2' 0" long

20 watt reflectorised lamps are held in position by the lampholders. The lighting unit is easily detached from the body for servicing and replacements.

The canopy is glass fibre and therefore maintenance free. It is fixed to the bracket arm by means of a substantial aluminium casting, which allows for horizontal adjustment of the lantern. The end of the bracket arm is threaded, and secured by a lock nut.

Access to the lighting unit is by means of a flanged perspex tray which hinges down from the canopy and is fastened by two screws.

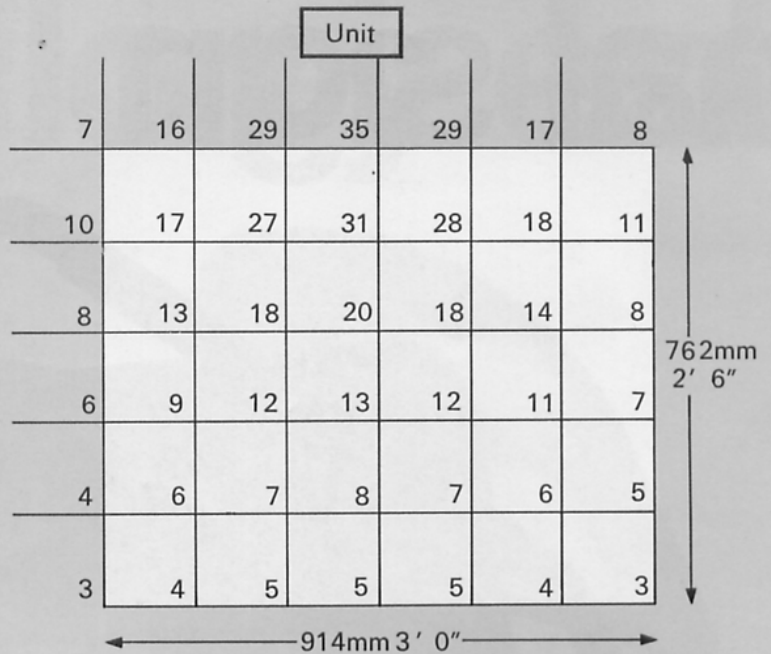
The bracket arm is of welded tubular steel construction with a socket to fit over the post, and a spigot inside the post for additional support. Sockets are available for 76mm 3", 89mm 3½", 101mm 4", 114mm 4½" and 140mm 5½" o/d posts. The outreach of the bracket arm is adjustable from 1067mm 3' 6" to 1372mm 4' 6". Bracket arms are rustproofed and stove enamelled grey.



Illumination Chart for Bergoflorry 28

The following figures are in foot lamberts and are based on tests carried out by the British Standards Institution.

Lighting unit contains 2-305mm 12" x 8W fluorescent tubes on a 381mm 1' 3" bkt. arm.

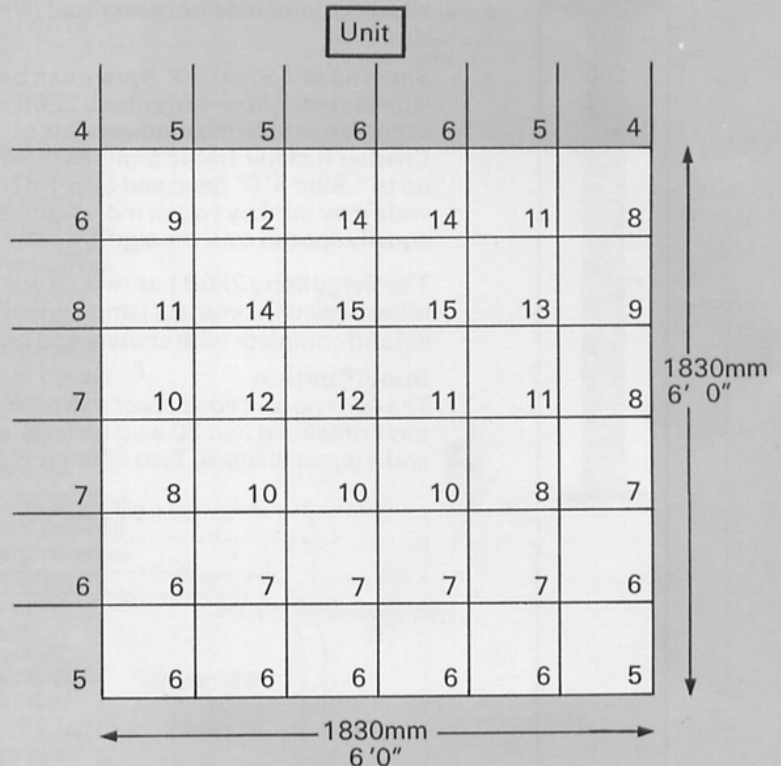


Each square represents 152mm 6"

Illumination Chart for Bergoflorry 220R

Luminance figures in foot lamberts.

Lighting unit contains two 600mm 24" x 20 watt reflectorised fluorescent lamps on a 1372mm 4' 6" bracket arm.



Each square represents 305mm 1' 0"

The Expanded Metal Company (Mfg) Limited
Bergo Division

A subsidiary of The Expanded Metal Company Limited

PO Box 14
Longhill Industrial
Estate (North)
Hartlepool TS25 1PR

Telephone
0429-66633
Telex
58597



Bergo

Bergolite

NEW

Fig 1 Bergo Bergolite



1. Identification

1.1 Generic name

Sign lighting fittings

1.2 Commercial name

Bergolite

1.4 Brief description: applications; limitations

Designed for durability in aluminium and stainless steel. Offers extended lamp life, improved lighting performance and economy in electricity consumption.

1.5 Authority: quality mark; standards

Constructed in accordance with BS873: Part 5: 1983

3. Description

3.1 Composition

- Comprising – Extruded aluminium body
 - Die cast aluminium end caps
 - Die cast aluminium spigot
 - Shaped reflector panel forming the gear tray (stove enamelled white)
 - Two 18w fluorescent lamps and control gear independently fused

All metal components used in the construction of the body are either aluminium or stainless steel.

The unit is sealed by means of gaskets to prevent entry of dust and dirt and complies with the requirements of I.P.54.

The spigot mounting provides for adjustment to ensure lamps are always parallel with the sign face.

Can be supplied with fixed length or telescopic bracket.

3.2 Shape; size

Fig 1 (see overleaf) Bergolite.

4. Properties

4.01 Active: capacity, output, consumption

With modern lighting components the Bergolite provides:

- Longer lamp life
- Improved lighting performance
- Economy in electricity consumption.

Suitable for lighting signs up to 2.4m x 2.4m

Table 1 Luminance data

		Lantern									
		12	27	55	93	133	93	55	27	12	
	0	+	+	+	+	+	+	+	+	+	
	150	10	17	28	38	49	38	28	17	10	
	450	15	29	51	73	85	73	51	29	15	
	750	12	20	29	35	38	35	29	20	12	
	1050	19	29	43	51	53	51	43	29	19	
	1350	17	23	29	30	30	30	29	23	17	
	1650	16	23	29	35	40	35	29	23	16	
	1950	16	20	23	26	29	26	23	20	16	
	2250	12	16	21	25	27	25	21	16	12	
	Depth/mm	13	16	20	22	23	22	20	16	13	
		9	13	16	17	19	17	16	13	9	
		10	14	17	17	19	17	17	14	10	
		8	9	11	12	13	12	11	9	8	
		10	11	12	13	14	13	12	11	10	
		6	7	8	8	8	8	8	7	6	
		7	9	9	10	10	10	9	9	7	
		1200	900	600	300	0	300	600	900	1200	
		Width/mm									

Outreach = 900mm **Outreach = 1500mm**

Luminance data in Cd m² for a sign board measuring 2700mm wide and 2400mm deep.

6. Sitework

6.3 Erection, installation and fixing

Bergo will supply only or will offer a package deal to include installation by a sub contractor, if supplied with traffic signs.

8. Maintenance

8.2 Access

Specially designed for easy access for maintenance incorporating a retained hinged front frame, and gear tray fitted with safety straps.