
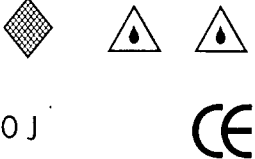


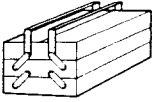
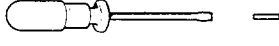
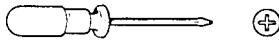
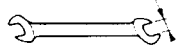
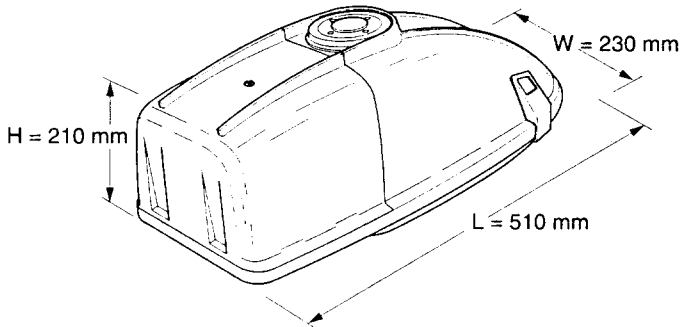



RIGA.

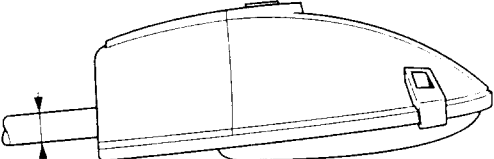
notice n° AT 12938

Notice de montage Installation instructions Foglio istruzioni	Montageanleitung Monterinsanvisning Asennusohje
IP 65 	
 10 J	
	
	 13

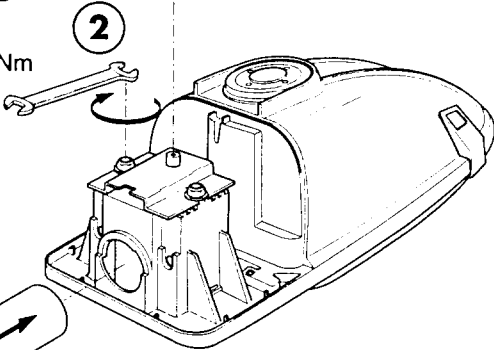


H = 210 mm
W = 230 mm
L = 510 mm

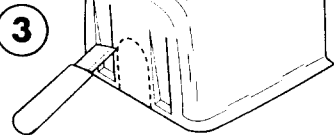
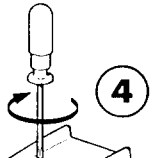
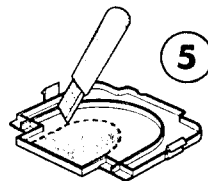
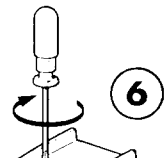
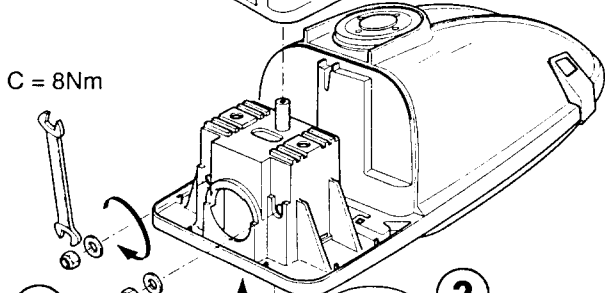
 = 4,5 kg $SC_x = 0,06m^2$



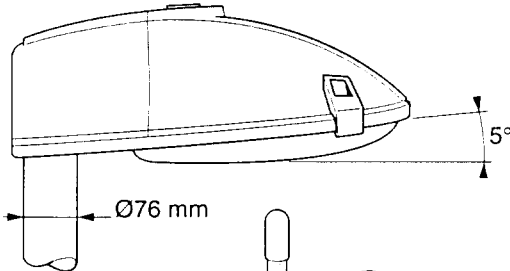
Ø34 & 42mm



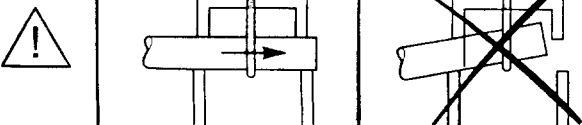
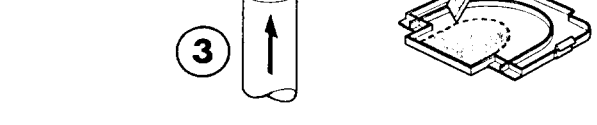
C = 5Nm

C = 8Nm

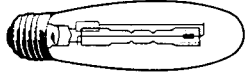
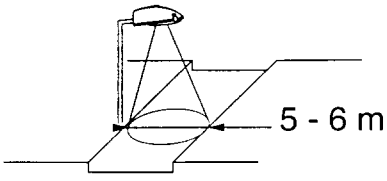
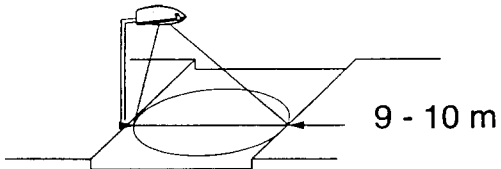


Ø76 mm
5°

The diagram illustrates the assembly of a lamp. Step 1 shows the lamp housing being opened. Step 2 shows the lamp being inserted into the housing. Step 3 shows the electrical connections (L, N, and ground) being secured. Step 4 shows the lamp being rotated into position. Step 5 shows the housing being closed and secured with a screw. A warning table is located in the upper right, and a beam spread diagram is in the lower right.

!	HPS 70W	△ E	✓
	HPS 70W	△ I	▨

		2 ↔ 1	
HPS 50W		✓	▨
HPS 70W		✓	▨
		▨	✓