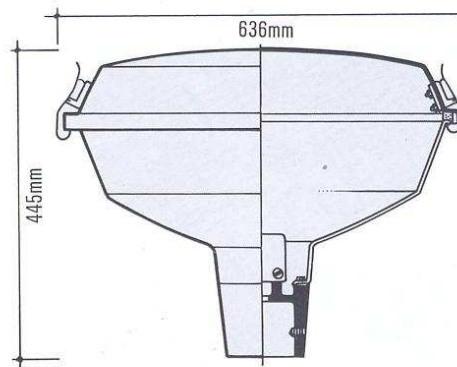


The Gamma 3 is a post top mounted luminaire for use with a 250W or 400W high pressure sodium or mercury lamp, and is suitable for mounting on the THORN 8m aluminium column.

which comprises a die cast aluminium base support, a single piece diffuser bowl in opal acrylic and a spun aluminium top canopy secured by stainless steel toggle catches. Lamp fixture is cap down in the base of the luminaire.

Control gear is mounted remote from the luminaire,

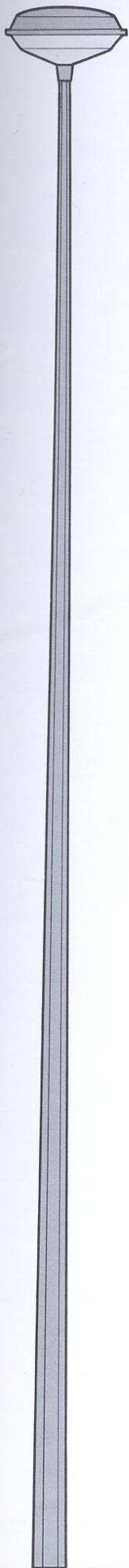


Maximum weight : 4.99 kg
Windage area : 0.162 m²
Recommended mounting height : 8m
Mounting : Post top 76mm x 76mm

Range

| Lamp | W | Lantern catalogue no. |
|------|-----|-----------------------|
| SON | 250 | QG3.1400 |
| | 400 | QG3.1400 |
| MBF | 250 | QG3.1400 |
| | 400 | QG3.1400 |





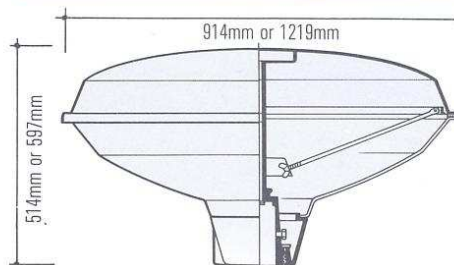
The Gamma 4 is a post top mounted luminaire for use with three 250 or 400W high pressure sodium or mercury lamps. The luminaire is supplied in two sizes of 914mm (3 ft) and 1219mm (4 ft) diameters, for use with special THORN 8, 10 or 12m aluminium columns. See also note below when mounted on other manufacturers columns.

The Gamma 4 comprises a two part (inner and outer) die cast aluminium base support with an attached centre spine which carries the lampholders. The diffuser bowl is in opal acrylic and the top canopy is spun aluminium. The canopy is secured to the bowl by three interior retaining stays.

Erection, maintenance and relamping are carried out by unscrewing the outer part of the base support casting which allows the bowl to be lowered over the top of the column onto three support pegs.

Note: Where other than Thorn aluminium columns are used the maximum column diameter must not exceed 115mm (4" BSP) for a distance of 300mm below the spigot, at which point three radially spaced support pegs are required. This is essential for erection, maintenance and relamping as described in the preceding paragraph.

Control gear is mounted remote from the luminaire.



| Luminaire | 914mm x 514mm | 1219mm x 597mm |
|---|---------------|----------------|
| Maximum weight : kg | 18.82 | 21.00 |
| Windage area : m ² | 0.289 | 0.426 |
| Recommended mounting height : m | 8 or 10 | 10 or 12 |
| Mounting : Post top 76mm ø x 130mm (see note in text) | | |

Range

| Lamp | No. & W | Lantern catalogue no. | Type |
|------|---------|-----------------------|----------------------|
| SON | 3 x 250 | QG4.0/F/3400 | With 914mm ø canopy |
| | 3 x 400 | QG4.0/F/3400 | |
| MBF | 3 x 250 | QG4.0/F/3400 | With 914mm ø canopy |
| | 3 x 400 | QG4.0/F/3400 | |
| SON | 3 x 250 | QG4.0/W/3400 | With 1219mm ø canopy |
| | 3 x 400 | QG4.0/W/3400 | |
| MBF | 3 x 250 | QG4.0/W/3400 | With 1219mm ø canopy |
| | 3 x 400 | QG4.0/W/3400 | |





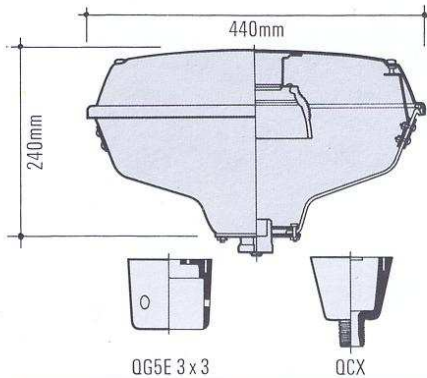
The Gamma 5 is a post-top mounted luminaire for a 70W high pressure sodium or 80W or 125W mercury lamp on Thorn 5m aluminium columns.

Light distribution is symmetrical from a prismatic pattern acrylic bowl (alternatively in vandal-resistant material). The top canopy is spun

aluminium and base supports die cast aluminium.

Note: The luminaire catalogue number does not include base support. This must be ordered as an additional item according to type of column (see mounting detail and range table).

Control gear is mounted remote from the luminaire.



Luminaire and based support

Maximum weight : 3.12 kg

Windage area : 0.081 m²

Recommended mounting height : 5

Mounting :

QCX base for Thorn QC 0 QC 1 QC 3 QC 4 columns

QG5E 3 x 3 base for 76mm x 76mm circular



Range

| Lamp | W | Lantern catalogue no. ● |
|------|-----------|-------------------------|
| SON | 70 | QG5D 1200/E27 |
| MBF | 80 or 125 | QG5D 1200/E27 |

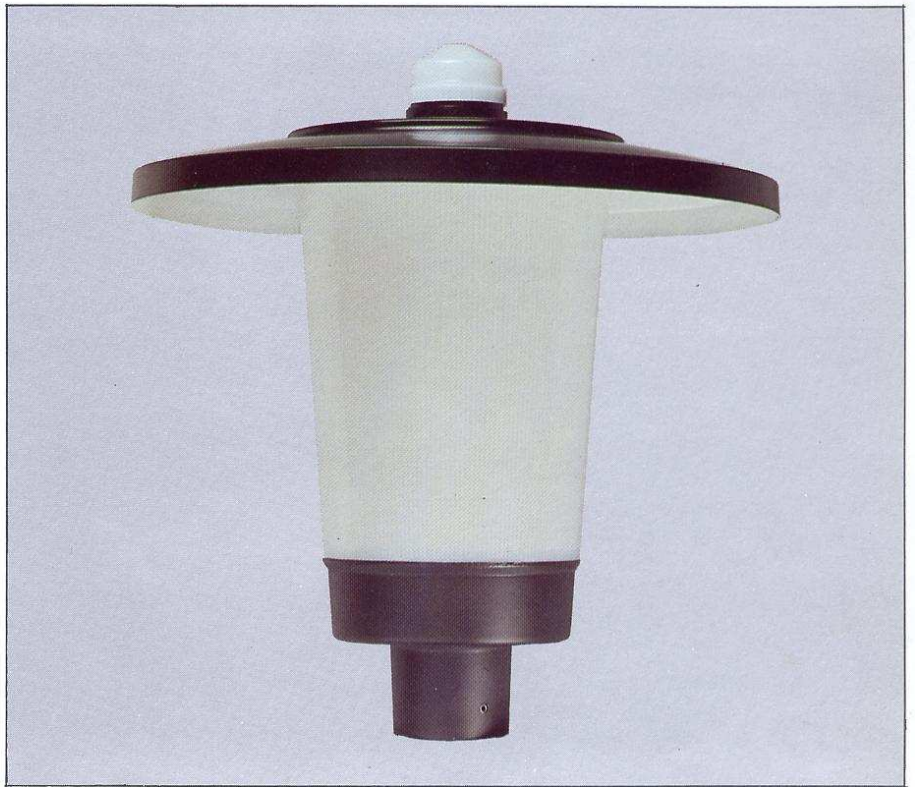
● Less Base support

Base support (order separately)

| | |
|---------------|----------|
| Thorn columns | QCX |
| Other columns | QG5E 3x3 |

For lanterns with vandal-resistant cover bowl change D to V in catalogue number.





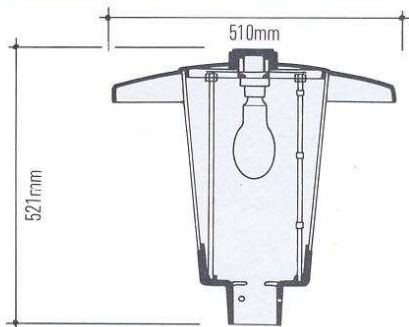
The Gamma 6 is a popular design post top mounted luminaire used widely for amenity type lighting such as precincts, car parks, approach roads etc. It employs a 70W high pressure sodium or 35W low pressure sodium or 80 or 125W mercury lamp providing a symmetric light distribution, and is for mounting at 5m on THORN aluminium columns.

canopy, and with or without NEMA socket photocell switch control.

The base support is pressure die cast aluminium with an attached interior support assembly. The bowl is vandal-resistant in injection moulded opalised acrylic, and top canopies spun aluminium secured by a nylon screw cap.

The Gamma 6 is available with large or small top

Control gear is mounted remote from the luminaire.



| Luminaire | Large canopy | Small canopy |
|---------------------------------|----------------------|--------------|
| Maximum weight : kg | 3.27 | 2.75 |
| Windage area : m ² | 0.114 | 0.104 |
| Recommended mounting height : m | 5 | 5 |
| Mounting : | Post top 76mm x 76mm | |

Range

| Lamp | W | Canopy | Lantern catalogue no. |
|------|-----------|--------|-----------------------|
| SON | 70 | Large | QG6V/W/1200E27 |
| | | Small | QG6V/F/1200E27 |
| SOX | 35 | Large | QG6V/W/1200B22 |
| | | Small | QG6V/F/1200B22 |
| MBF | 80 or 125 | Large | QG6V/W/1200E27 |
| | | Small | QG6V/F/1200E27 |

For lanterns with NEMA photocell sockets insert P before 1200 in catalogue number.

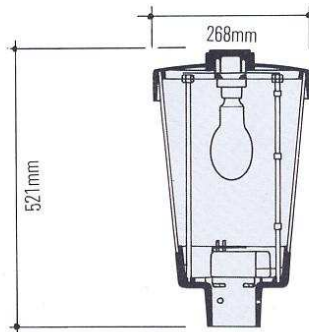


The Gamma 6 complete with integral control gear is used widely throughout the world where good design and appearance is needed for amenity post top mounted lighting. Alternative lamp types can be used in the same basic design: one 70W high pressure sodium or 35W low pressure sodium or 80 or 125W mercury, for mounting at 5m on THORN aluminium columns.

The Gamma 6 is available with large or small top canopy, and with or without NEMA socket photocell switch control.

The base support is pressure die cast aluminium with an attached interior support assembly. The bowl is vandal-resistant in injection moulded opalised acrylic, and top canopies spun aluminium secured by a nylon screw cap.

The light distribution pattern for all Gamma 6 luminaires is symmetric.



| Luminaire | Large canopy | Small canopy |
|---------------------------------|----------------------|--------------|
| Maximum weight : kg | 6.79 | 6.27 |
| Windage area : m ² | 0.114 | 0.104 |
| Recommended mounting height : m | 5 | 5 |
| Mounting : | Post top 76mm x 76mm | |

Range

| Lamp | W | V | Hz | Lantern catalogue no. ● | Type |
|------|-----|---------|----|-------------------------|--------------|
| SON | 70 | 220/240 | 50 | QG6V/W/NB1070.T | Large canopy |
| | | 220/240 | 60 | QG6V/W/NB1070.2.6 | |
| SOX | 35 | 240 | 50 | QG6V/W/B1035.4A | |
| MBF | 80 | 220 | 50 | QG6V/W/B1080.2 | |
| | | 240 | 50 | QG6V/W/B1080.4 | |
| | | 200/250 | 50 | QG6V/W/B1080.T | |
| | | 220/270 | 60 | QG6V/W/B1080.T | |
| MBF | 125 | 220 | 50 | QG6V/W/B1125.2 | |
| | | 240 | 50 | QG6V/W/B1125.4 | |
| | | 200/250 | 50 | QG6V/W/B1125.T | |
| | | 220/270 | 60 | QG6V/W/B1125.T | |

● For lanterns with small canopy change W to F in catalogue number.

For lanterns with NEMA photocell socket insert P before NB or B in catalogue number.

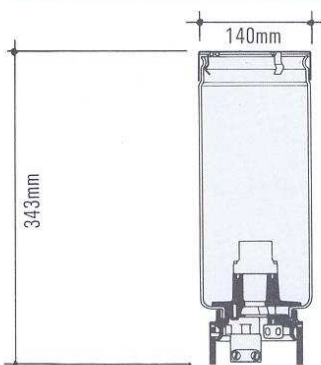
All lanterns are supplied with E27 lampholder except 35W SOX which is B22.





The Gamma 7 is a post top mounted luminaire uniquely designed for use in combination with the THORN QCG7 5m aluminium column, to provide an attractive slimline lighting unit. Alternative lamp types can be used in the luminaire: one 70W high pressure sodium or 80W mercury.

Supplied as a complete assembly ready for fixing to the column the Gamma 7 comprises a die-cast aluminium base support with an opal acrylic diffuser cylinder and spun aluminium top cap secured by spring clips. The light distribution pattern is symmetric.



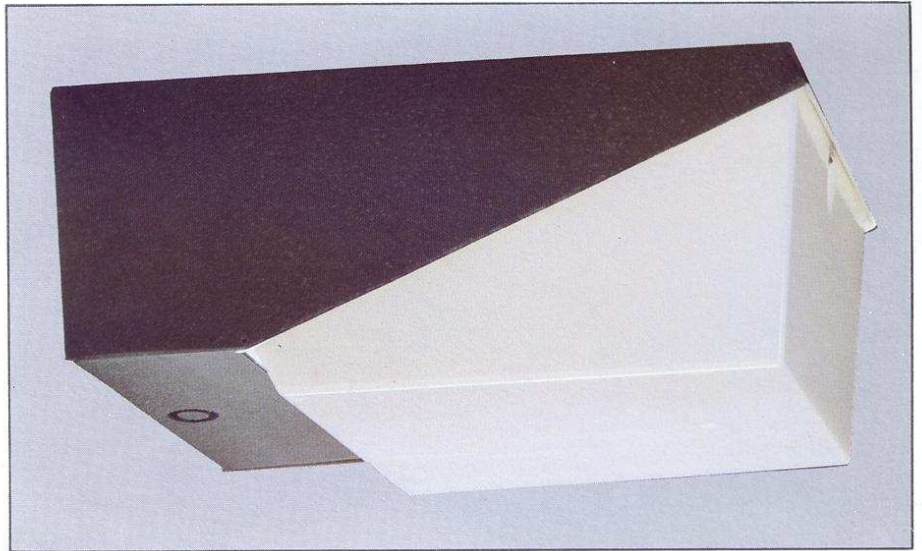
Maximum weight: 1.11 kg
Windage area: 0.047 m²
Mounting height: 5m
Mounting: Thorn QCG7 column

Range

| Lamp | W | Lantern catalogue no. |
|------|----|-----------------------|
| SON | 70 | QG7.1100/E27 |
| MBF | 80 | QG7.1100/E27 |

Note: The Gamma 7 lantern is specially designed for use only on Thorn Column QCG7

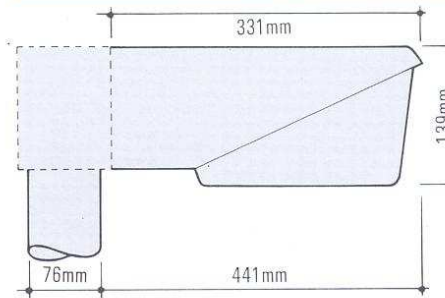




The Precinct fitting is an attractive modern design for use in pedestrian precincts and walkways, and amenity areas demanding lighting equipment of good appearance. It may be used with a 70W high pressure sodium or 80W mercury lamp and is complete with integral control gear. Mounting is to wall (as illustrated above) or on post top single or twin arrangement by addition of OCA 1-2 pole mounting adaptor.

The Thorn QC4 aluminium column is specially designed for use with the Precinct fitting.

The canopy/gear housing is pressure die cast aluminium, and the hinged cover bowl opal anti vandal polycarbonate secured by a single screw fixture.



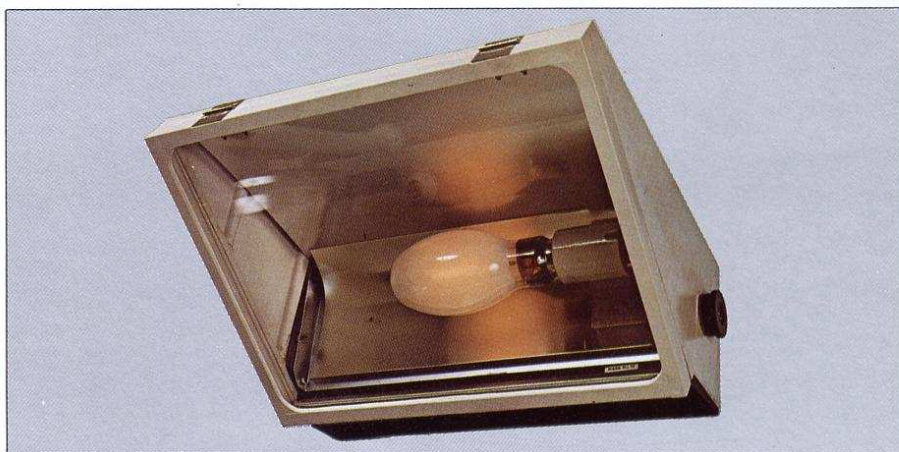
| Luminaire | OC1070 | OC1080 | OCA 1-2 |
|---------------------------------|------------------|--------|---------|
| Maximum width : mm | 193 | 193 | 193 |
| Maximum weight : kg | 4.90 | 4.10 | 1.59 |
| Windage area : m ² | 0.064 | 0.064 | 0.015 |
| Recommended mounting height : m | 5 | 5 | 5 |
| Mounting : | Wall or post top | | |

Range

| Lamp | W | V | Hz | Lantern catalogue no. | Mounting |
|-----------------------|----|---------|----|-----------------------|----------|
| SON | 70 | 220/240 | 50 | OC.1070.T | wall |
| | | 220/240 | 60 | OC.1070.2.6 | |
| MBF | 80 | 220 | 50 | OC.1080.2 | |
| | | 240 | 50 | OC.1080.4 | |
| Pole mounting adaptor | | | | OCA 1-2 | Pole |



Note: During 1981 SON elliptical versions will be superseded by a SON tubular version. Details will be announced shortly.

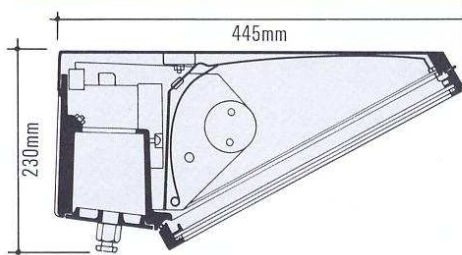


The Area floodlight is of modern design and appearance for use in amenity areas, car parks, garage forecourts, industrial locations, security lighting and special road lighting applications where wall mounted luminaires are desirable. Alternative lamp types may be used: 150 or 250 or 400W high pressure sodium or 250 or 400W metal halide or mercury, for which appropriate control gear is contained in the luminaire.

The body and hinged front frame are in moulded glass reinforced plastic with an attached control gear housing in die cast aluminium. The front cover is toughened, heat resisting clear glass, and optical control is by a two piece reflector in polished aluminium to provide an asymmetric light distribution.

Mounting is for 76mm x 117mm post top or special wall bracket by a built in spigot cap in the control gear housing. Alternatively, a stirrup assembly is available.

The body and hinged front frame are in moulded



| Luminaire | Weight: kg | Projected area: m ² |
|-----------|------------|--------------------------------|
| OASG.150 | 12.5 | 0.21 |
| OASG.250 | 14.5 | 0.21 |
| OASG.400 | 16.5 | 0.21 |
| OACG.250 | 15.0 | 0.21 |
| OACG.400 | 14.5 | 0.21 |
| OAKG.250 | 13.6 | 0.21 |
| OAKG.400 | 14.5 | 0.21 |

Mounting: Post top by 76mm x 117mm built in spigot cap
 Wall bracket by OAB 36 or OAB 310
 Stirrup mounting by OAE

Range

| Lamp | W | Catalogue no. ● |
|-------|-----|-----------------|
| SON | 150 | OASG.150 |
| | 250 | OASG.250 |
| | 400 | OASG.400 |
| MBI/F | 250 | OACG.250 |
| | 400 | OACG.400 |
| MBF | 250 | OAKG.250 |
| | 400 | OAKG.400 |

● For appropriate incorporated control gear add suffix to above catalogue number as follows:

| Lamp | W | V | Hz | ● Suffix |
|-------|---------|---------|----|----------|
| SON | 150 | 220/240 | 50 | .T |
| | 150 | 220/240 | 60 | .2.6 |
| | 250 | 220/240 | 50 | .T |
| | 250 | 220/240 | 60 | .2.6 |
| | 400 | 220/240 | 50 | .T |
| | 400 | 220/240 | 60 | .2.6 |
| MBI/F | 250 | 220/240 | 50 | .T |
| | 250 | 220/240 | 60 | .2.6 |
| | 400 | 220 | 50 | .2 |
| | 400 | 240 | 50 | .4 |
| | 400 | 190/220 | 60 | .2.6 |
| MBF | 250/400 | 220 | 50 | .2 |
| | 250/400 | 240 | 50 | .4 |
| | 250/400 | 220 | 60 | .2.6 |

| Accessories | Catalogue no. |
|-----------------------|---------------|
| Wall bracket | OAB 36 |
| Wall bracket | OAB 310 |
| Stirrup assembly | OAE |
| 51mm ø spigot adaptor | OAA2 |

The switching of road lighting luminaires is simplified by the use of a light sensitive photocell control. This provides automatic switch on and off determined by factory calibration in a 1:2 ratio, switch-on occurring when natural light falls below 55 lux and switch-off when it rises above 110 lux. The switch-on level is set to allow discharge lighting to run up to maximum light output before full darkness, and a time delay is incorporated in the circuit to prevent accidental operation by intermittent stray light such as car headlights, lighting etc. The photocell is omni-directional and does not require orientation to a specific bearing for satisfactory operation.

The majority of Thorn road lighting luminaires can be supplied for use with photocell control by a factory fitted and wired 3 pin NEMA socket for direct plug-in of the cell head. Such luminaires are identified by the inclusion of the letter P in catalogue numbers, but the photocell must be ordered separately (see range table: Ref. QP, QPX).

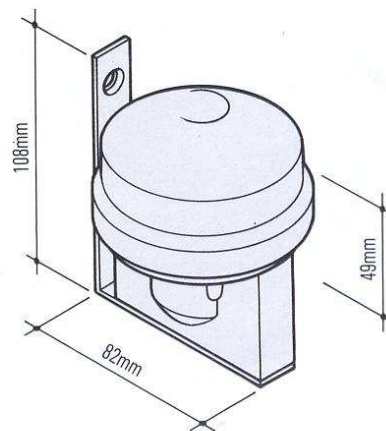
Other luminaires, which are unsuitable for a direct plug-in photocell may be controlled by a remote mounted arrangement comprising a mounting bracket/socket and holder assembly and the cell. This is supplied as a complete kit (see range table: Ref. QPK, QPKX).



Photocell, QP/QPX



Photocell kit, QPK/QPKX



Range

| Component | V | Hz | Catalogue no. | Weight, kg |
|-------------------------|-----|----|---------------|------------|
| Photocell | 110 | 50 | QPX.11.5 | 0.114 |
| | 110 | 60 | QPX.11.6 | |
| | 200 | 50 | QPX.1 | |
| | 220 | 50 | QPX.2 | |
| | 220 | 60 | QPX.2.6 | |
| | 240 | 50 | QP | |
| | 240 | 60 | QPX.4.6 | |
| Bracket/Socket/Cell kit | 110 | 50 | QPKX.11.5 | 0.419 |
| | 110 | 60 | QPKX.11.6 | |
| | 200 | 50 | QPKX.1 | |
| | 220 | 50 | QPKX.2 | |
| | 220 | 60 | QPKX.2.6 | |
| | 240 | 50 | QPK | |
| | 240 | 60 | QPKX.4.6 | |

Rating: 1500VA. Maximum discharge lighting load-1000W.