

TRIPLEX TRAFFIC

QUALITY WITHOUT COMPROMISE

VALUE YOU CAN AFFORD

QUALITY

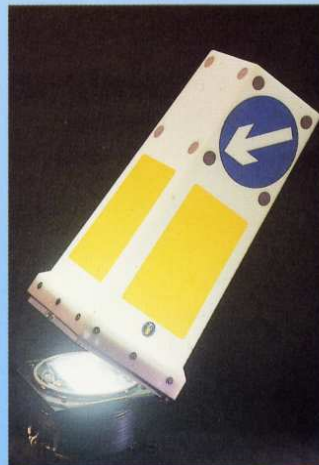
Over the last 30 years Triplex (formerly Hale & Hale) has established an enviable reputation for quality in Traffic Engineering.

COMPETITIVE

Modern Technology and constant innovation have enabled us to retain this high quality whilst offering competitive prices and superb service.

VALUE FOR MONEY

In a world of even tighter budgets we are now more affordable than ever.



CERTIFICATE NO: FM13963

► BS 5750 PART 2:1987

► ISO9002:1982

TRIPLEX ENGINEERING LIMITED

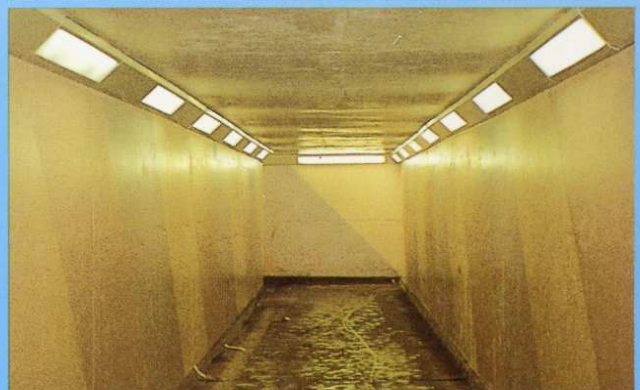
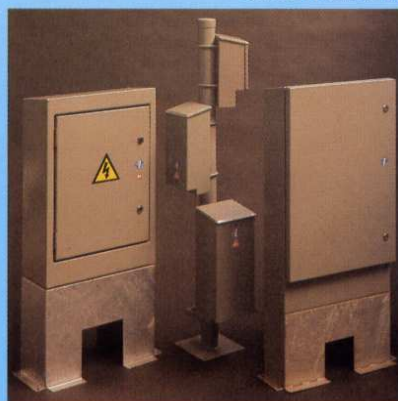
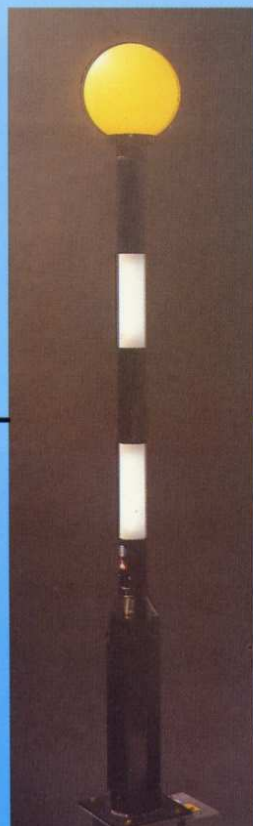
Upper Church Lane, Tipton,
West Midlands DY4 9NZ, England.

Telephone: 021 557 3446

Fax: 021 522 2169



TRIPLEX LLOYD
A member of Triplex Lloyd plc



FIND OUT MORE NOW – FREE OF CHARGE

Please show me how Triplex Engineering Quality could make my budget go further.

Name: Position:

Authority/Company:

Address:

Products interested in:

POST NOW – NO STAMP REQUIRED.

To: Triplex Engineering Limited FREEPOST Upper Church Lane, Tipton, West Midlands DY4 9BR, England.

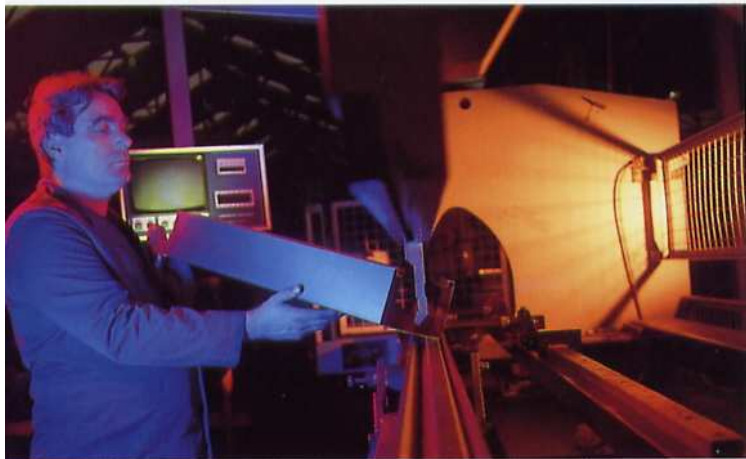


**DIRECTING THE WAY
TO QUALITY, SERVICE
AND INNOVATION**

TRIPLEX
ENGINEERING LIMITED
Traffic Engineering Products



**TRIPLEX ENGINEERING
ON THE ROAD TO SUCCESS
THROUGH EXPERTISE AND
COMMITMENT**



**I
N
T
R
O
D
U
C
T
I
O
N**

Established in 1963 under the name of Hale and Hale, Triplex Engineering Limited has developed its extensive traffic engineering product range over the years into what is now regarded as the most comprehensive in the industry.

The company's products form familiar landmarks nationwide, offering the end user and general public alike a service renowned for quality, durability and value for money. Our in-house facilities cater for full design and development of products right through to final manufacture, assembly and test.

Throughout the process of product creation our stringent quality and production control procedures ensure that every phase of manufacture is carefully monitored and that the highest possible standards are attained.

Representation of our products within the industry is provided with the expertise of our trained area sales representatives, who can offer in depth advice on specific projects, as well as evaluation of site plans and any possible measurement deemed necessary.



REG



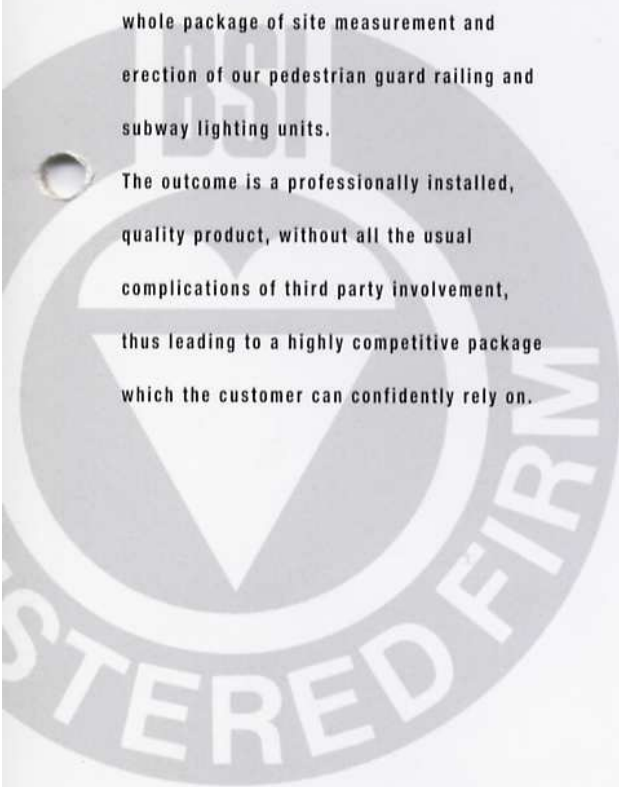
OUR CLIENTS INCLUDE

- ▶ THE METROPOLITAN BOROUGH COUNCILS
- ▶ COUNTY, DISTRICT AND BOROUGH COUNCILS
- ▶ THE ELECTRICITY BOARDS
- ▶ THE DEPARTMENT OF TRANSPORT
- ▶ THE DEPARTMENT OF THE ENVIRONMENT
- ▶ MAJOR CIVIL ENGINEERING AND STREET LIGHTING CONTRACTORS



A further invaluable service, which Triplex Engineering has successfully provided over the years, is that of supply and erect, where our experienced personnel can provide the whole package of site measurement and erection of our pedestrian guard railing and subway lighting units.

The outcome is a professionally installed, quality product, without all the usual complications of third party involvement, thus leading to a highly competitive package which the customer can confidently rely on.



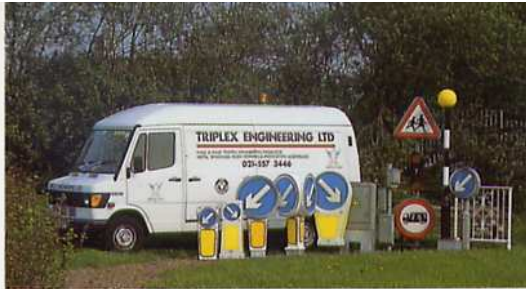
TRIPLEX
ENGINEERING LIMITED

TRIPLEX ENGINEERING LIMITED is a member company of TRIPLEX LLOYD plc, an industrial engineering Group serving the automotive, power, construction and engineering markets of Europe and North America.

The company is committed to the customer through technical innovation, quality systems and the philosophy of a total product offering, from design and development through to final manufacture, assembly and testing.

Triples Engineering prides itself on being able to organise efficient delivery of customers' goods to meet those important deadlines irrespective of the customer's location.

Located at Tipton in the West Midlands, Triples Engineering is ideally situated to service all nationwide and international accounts through its easy access to all major road, rail and air links.



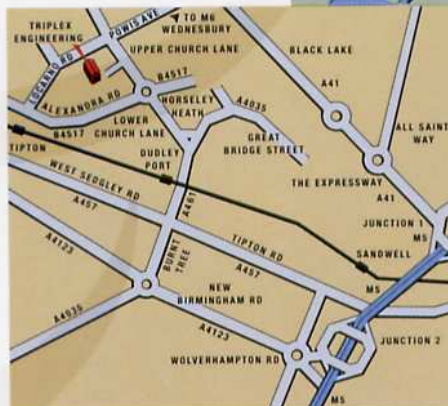
APPROVALS

▶ BS 5750 PART 2:1987

▶ ISO9002:1982



CERTIFICATE NO: FM13963



TRIPLEX LLOYD

A member of Triples Lloyd plc

TRIPLEX ENGINEERING LIMITED

Upper Church Lane, Tipton

West Midlands DY4 9NZ, England. Telephone: 021 557 3446

International: +44 21 557 3446 Fax: 021 522 2169

Triplex

Engineering Ltd

Upper Church Lane, Tipton,
West Midlands. DY4 9NZ.
Telephone: 021-557 3446
Fax: 021-522 2169



HE65 STEEL BOLLARD

THE H65 STEEL BOLLARD

The improved HE65 Steel Bollard has been designed to meet particular requirements of British Standard 873, Part 3 (1980) and the light output conforms to Section 6, Table 1 of these regulations. They are available in 1, 2, 3 or 4 aspects, which gives the HE65 Bollard potential for all site applications.

THE BODY

The H65 Bollard body is manufactured from 3mm thick Mild Steel, then Zinc Phosphated and Powder Coated Polyester White. This product is highly durable and can, in most cases, be refurbished as new, if ever required.

The HE65 incorporates an Anti - Vandal sign face system of G.R.P. panels which are glazed into the body using specially designed Black or White P.V.C. extruded retaining seals to resist even the most determined of vandals.

Access is gained through a door at the rear of the body, this is fitted with Tamper Proof Safelocks, to resist vandal abuse.

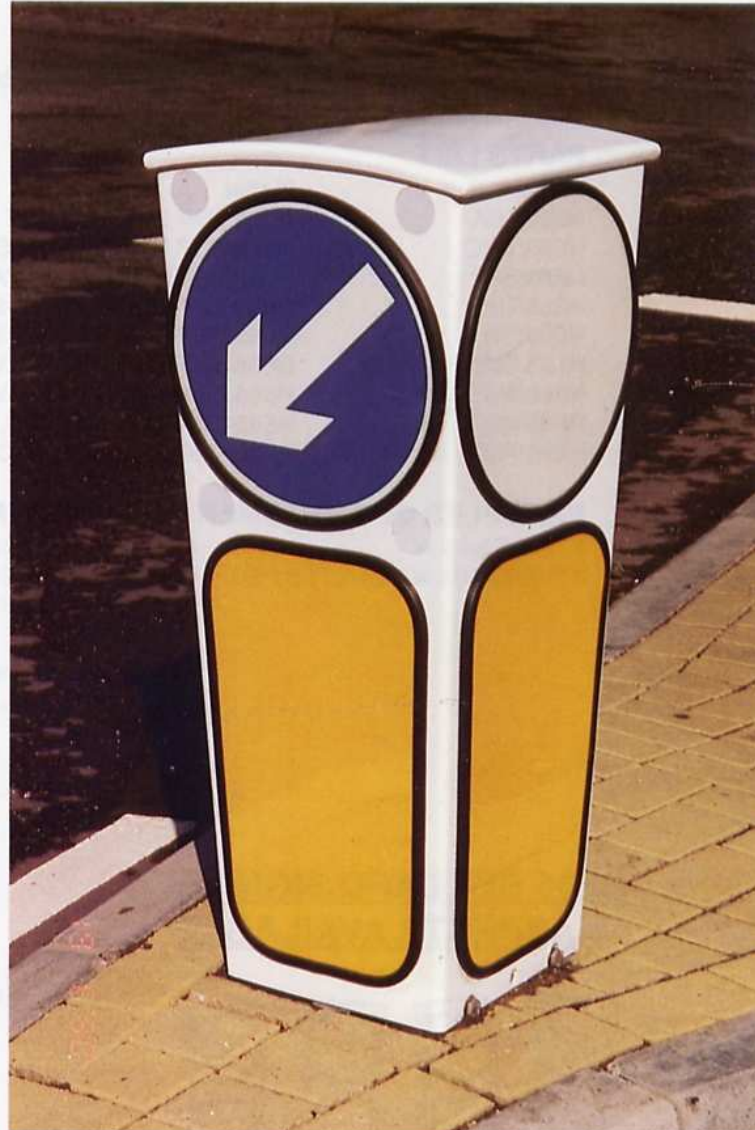
The HE65 Bollard body is secured to the Standard Base with 2 brass shear bolts and to the Universal Base with four clintch fit brass bolts, which are designed to fail on typical vehicular impacts.

A service board of Non-Hygroscopic plywood is fitted to both the standard and universal base units.

SPINE ILLUMINATION

The HE65 Bollard is available with either of our light units as listed below.

Light Unit A (LUA) containing
2, 12" x 8 Watt fluorescent tubes or
Light Unit B (LUB) containing
2, 21" x 13 Watt fluorescent tubes.



To complement the range, Single and Three Aspect Bollards with 600 mm Diameter sign faces are also available.



Certificate No. EM 13963
BS 5750 Part II : 1987
ISO 9002 : 1987, EN 29002 : 1987

TRIPLEX ENGINEERING LIMITED - PARTS LIST HE65 BOLLARD

STEEL BOLLARD TOP

| Part No. | Model |
|------------|--|
| HE65/PLAIN | HE65 PLAIN BOLLARD TOP |
| HE65/610L | HE65 WITH DIA 610 KEEP LEFT FOR 2/3 OR 4 ASPECTS ADD /2 ETC. |
| HE65/610R | HE65 WITH DIA 610 KEEP RIGHT " " " " |
| HE65/606L | HE65 WITH DIA 606 TURN LEFT " " " " |
| HE65/606R | HE65 WITH DIA 606 TURN RIGHT " " " " |
| HE65/611 | HE65 WITH PASS EITHER SIDE |
| HE65/616N | HE65 WITH NO ENTRY |
| HE65/RD | HE65 REAR DOOR |

LIGHTING UNITS

| Part No. | Model |
|----------|--|
| HE65/LUA | HE65 LIGHT UNIT 'A' (2,12" X 8 WATT FLUORESCENT TUBES) |
| HE65/LUB | HE65 LIGHT UNIT 'B' (2, 21" X 13 WATT FLUORESCENT TUBES) |

BOLLARD BASES

| Part No. | Model |
|----------|---|
| STDB | STANDARD BASE (Suitable for HE65, HE65/600, HE75/600) |
| UNIB | UNIVERSAL BASE " " " " " |

PARTS LIST

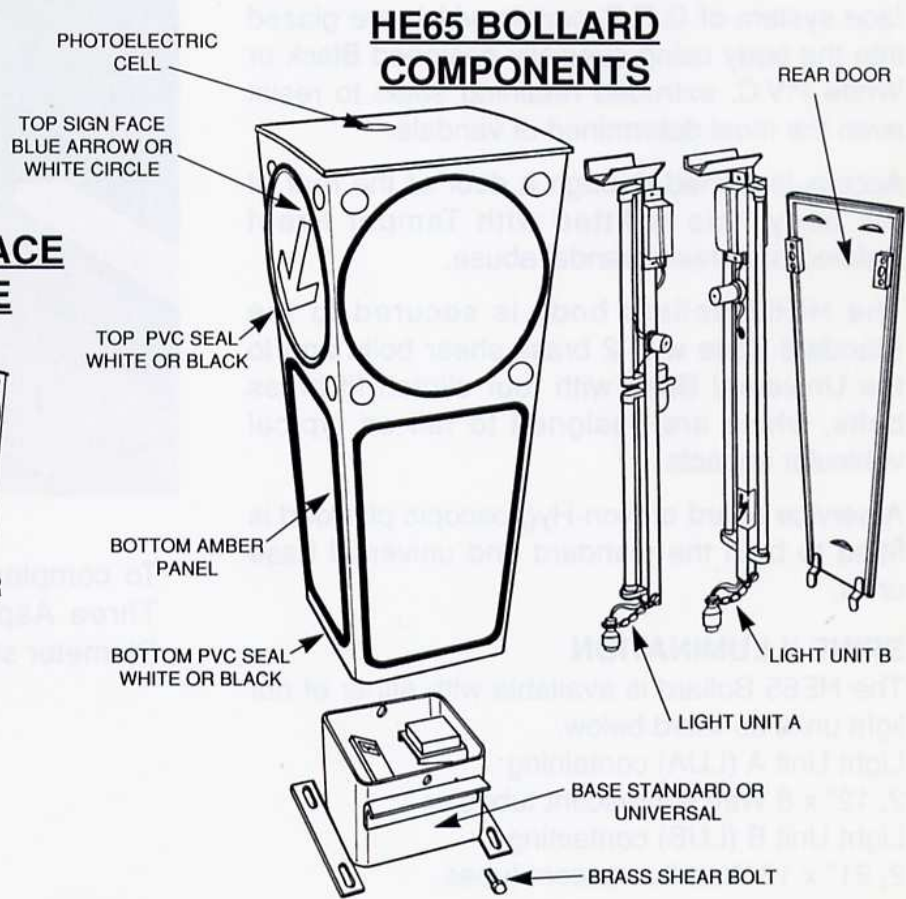
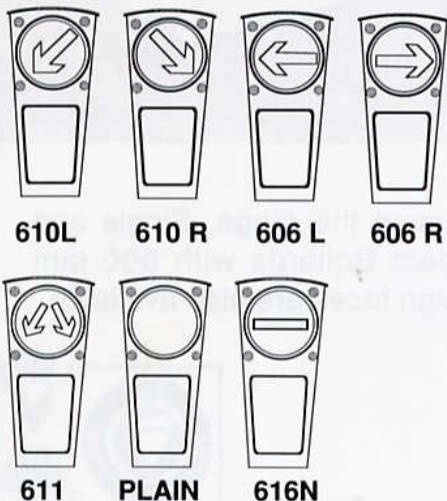
| Part No. | Model |
|----------|----------------------------------|
| HE65/TBA | HE65 TOP BLUE ARROW |
| HE65/TWC | HE65 TOP WHITE CIRCLES |
| HE65/BAP | HE65 BOTTOM AMBER PANELS |
| HE65/TBS | HE65 TOP BLACK P.V.C. SEAL |
| HE65/TWS | HE65 TOP WHITE P.V.C. SEAL |
| HE65/BBS | HE65 BOTTOM BLACK P.V.C. SEAL |
| HE65/BWS | HE65 BOTTOM WHITE P.V.C. SEAL |
| HE65/BSB | HE65 BRASS SHEAR BOLT (SET OF 2) |
| HE65/PEC | HE65 PHOTOELECTRIC CELL. |

WHEN ORDERED AS SPARES THE HE65 PREFIX MUST BE QUOTED. WHEN ORDERED AS PART OF A COMPLETE TOP AND BASE PACKAGE, THE SECONDARY HE65 PREFIX MUST NOT BE USED AS SHOWN IN EXAMPLE 2.

EXAMPLES OF CUSTOMER REQUIREMENTS

- HE65/610L/4 CUSTOMER RECEIVES A HE65 DIAGRAM 610L WITH 4 ASPECTS
- HE65/610L/4/LUA/STDB/PEC CUSTOMER RECEIVES A HE65 DIAGRAM 610L WITH 4 ASPECTS, LUA LIGHTING UNIT WITH PHOTOELECTRIC CELL AND STANDARD BASE.

HE65 BOLLARD SIGN FACE ASPECTS AVAILABLE



Triplex

Engineering Ltd

Upper Church Lane, Tipton,
West Midlands. DY4 9NZ.
Telephone: 021-557 3446
Fax: 021-522 2169



HE65/600 STEEL BOLLARD

THE HE65/600 STEEL BOLLARD

The HE65/600 - 600mm nominal diameter sign faced Steel Bollard has been designed to meet particular requirements of B.S. 873 Part 3 (1980), and is for use in areas where a larger sign faced steel bollard is required to direct and then control any fast approaching traffic.

THE BODY

The HE65/600 Bollard body is manufactured from 3mm mild steel and the Lantern in 2mm mild steel, then Zinc Phosphated and Powder Coated Polyester White. This product is long lasting, highly durable and can, in most cases, be refurbished as new if ever required.

The HE65/600 incorporates an Anti-Vandal sign face system of G.R.P. Panels which are glazed into the body using specially designed Black or White P.V.C. extruded retaining seals to resist even the most determined vandals.

Access is gained through two doors at the rear of the product, these are very well secured with Tamper Proof Safelocks designed to resist vandal abuse.

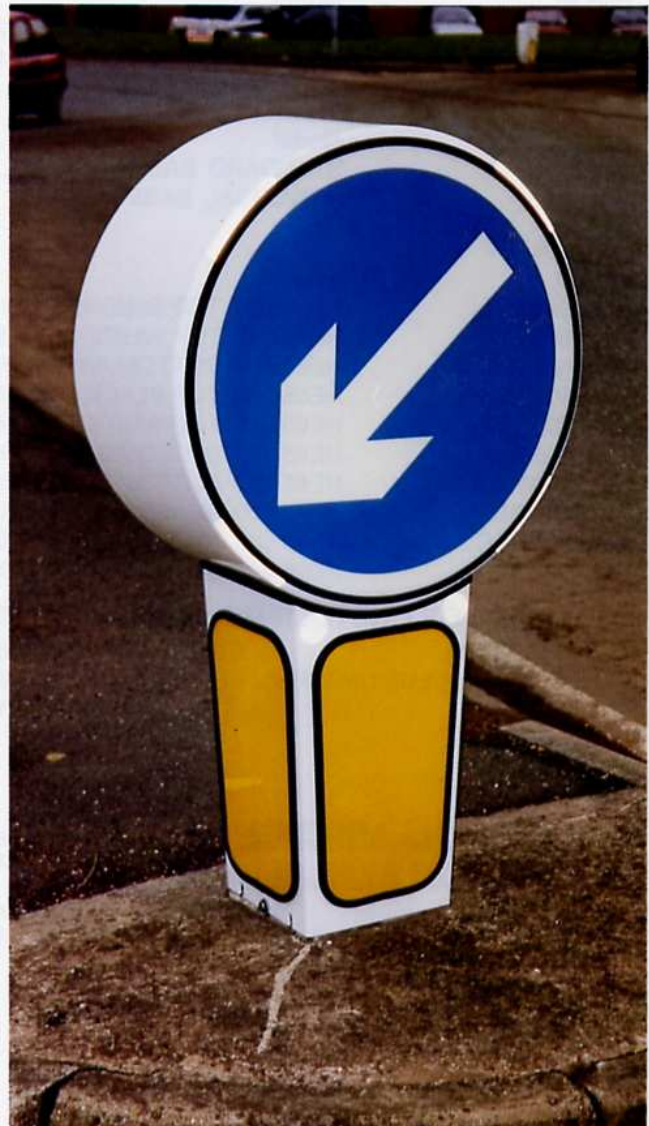
The HE65/600 is secured to the base using two Brass shear bolts, these are designed to fail on typical vehicular impact, automatically disconnecting the electrical supply.

A service board of Non-Hygroscopic plywood is fitted to both the standard and universal base units.

SPINE ILLUMINATION

Two types of spine lighting units to suit local conditions:-

LUA/600 3, 12" x 8 Watt Fluorescent Tubes
LUB/600 3, 21" x 13 Watt Fluorescent Tubes



A Quality product based on the highly popular HE65 Steel Bollard Design.



Certificate No. EM 13963
BS 5750 Part II : 1987
ISO 9002 : 1987, EN 29002 : 1987

Triplex

Engineering Ltd

Upper Church Lane, Tipton,
West Midlands. DY4 9NZ.
Telephone: 021-557 3446
Fax: 021-522 2169



HE75/600 3 ASPECT STEEL BOLLARD

THE HE75/600 3 ASPECT BOLLARD

DESIGNED FOR THE CENTRE
OF TRAFFIC CALMING
MINI ROUNDABOUTS.

This is an ideal product where
motorists require a highly visual
illuminated marker and direction
indicator.

The HE75/600 3 Aspect Bollard fits onto an existing HE65 standard or universal base and is secured using Brass or Nylon shear bolts which fail on typical vehicular impact and the electricity supply is automatically disconnected by Reyrolle socket.

The Lantern head is manufactured from 2mm steel and has three 600mm faces, visible through 360°. One face is removable for access to the upper lighting unit.

The body is manufactured from 3mm steel and has three faces, one of which is an access door to the lower lighting unit.

The Lantern head and Body are fitted with vandal resistant panels.

The unit finish is Zinc Phosphated and Powder Coated Polyester White.

SPINE LIGHTING UNITS

Upper lighting unit 2, 21" x 13 watt Tubes
Lower lighting unit 2, 12" x 8 watt Tubes



Certificate No. FM 13963
BS 5750 Part II : 1987
ISO 9002 : 1987, EN 29002 : 1987

TRIPLEX ENGINEERING LIMITED

HE75/600 3 ASPECT BOLLARD PARTS LIST

STEEL BOLLARD TOP

| PART N°. | MODEL |
|--------------|--|
| HE75600/610L | HE75 600 WITH 3 ASPECT DIAMETER 610 KEEP LEFT SIGN FACE |
| HE75600/610R | HE75 600 WITH 3 ASPECT DIAMETER 610 KEEP RIGHT SIGN FACE |
| HE75600/606L | HE75 600 WITH 3 ASPECT DIAMETER 610 TURN LEFT SIGN FACE |
| HE75600/606R | HE75 600 WITH 3 ASPECT DIAMETER 610 TURN RIGHT SIGN FACE |

LIGHTING UNITS

| PART N°. | MODEL |
|------------|---|
| HE75600/LO | LOWER LIGHT UNIT (2, 12" X 8 WATT FLUORESCENT TUBES) |
| HE75600/UP | UPPER LIGHT UNIT (2, 21" X 13 WATT FLUORESCENT TUBES) |

BOLLARD BASES

| PART N°. | MODEL |
|----------|----------------|
| STDB | STANDARD BASE |
| UNIB | UNIVERSAL BASE |

PARTS LIST

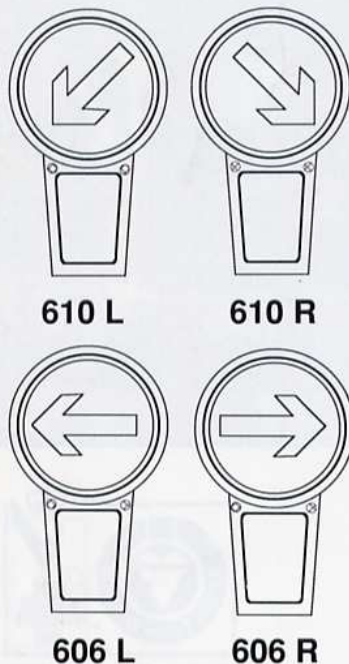
| PART N°. | MODEL |
|-------------|---------------------------------------|
| HE75600/TBA | HE75 600 TOP BLUE ARROW |
| HE75600/TWC | HE75 600 TOP WHITE CIRCLE |
| HE75600/BAP | HE75 600 BOTTOM AMBER PANELS |
| HE75600/TBS | HE75 600 TOP BLACK PVC SEAL |
| HE75600/TWS | HE75 600 TOP WHITE PVC SEAL |
| HE75600/BBS | HE75 600 BOTTOM BLACK PVC SEAL |
| HE75600/BWS | HE75 600 BOTTOM WHITE PVC SEAL |
| HE75600/BSB | HE75 600 BRASS SHEAR BOLTS (SET OF 2) |
| HE75600/PEC | HE75 600 PHOTOELECTRIC CELL |
| HE75600/BD | HE75 600 BOTTOM REAR DOOR |

WHEN ORDERED AS SPARES THE HE75 600 PREFIX MUST BE QUOTED. WHEN ORDERED AS PART OF A COMPLETE TOP AND BASE PACKAGE, THE SECONDARY HE75 600 PREFIX MUST NOT BE USED AS SHOWN IN EXAMPLE 2.

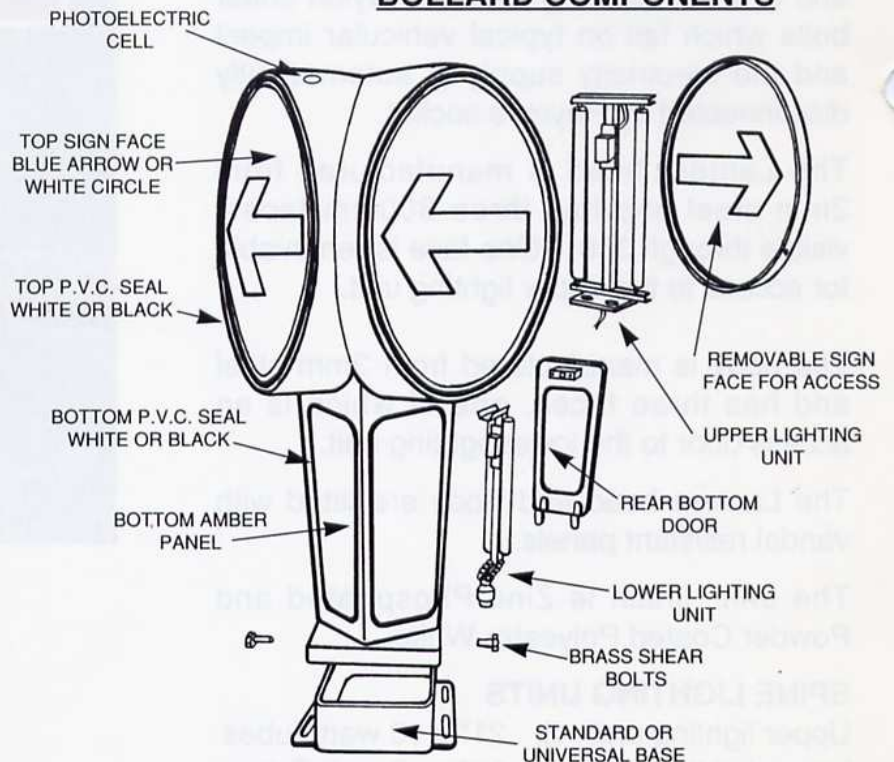
EXAMPLES OF CUSTOMERS REQUIREMENTS

1. HE75600/610L HE75 600 3 ASPECT 610 KEEP LEFT BOLLARD TOP
2. HE75600/610L/STDB/PEC HE75 600 3 ASPECT 610 KEEP LEFT BOLLARD TOP WITH PHOTO CELL
C/W STANDARD BASE

HE75/600 BOLLARD SIGN ASPECTS AVAILABLE



HE 75/600 3 ASPECT BOLLARD COMPONENTS



Triplex

Engineering Ltd

Upper Church Lane, Tipton,
West Midlands. DY4 9NZ.
Telephone: 021-557 3446
Fax: 021-522 2169



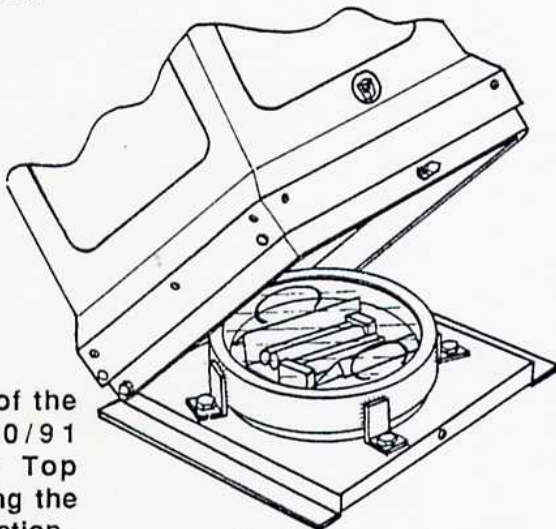
HE 65 / SIMMONS ALPHA & HALDO SPRINGBACK BASE TO HE 90/91 BASELIGHT QUICK ACCESS CONVERTER

The HE 65 to HE 90/91 Plastic Bollard Top Converter is manufactured in heavy duty steel and galvanised to BS 729 to produce a very robust product. The Converter can be fitted in minutes to an existing HE 65 Base or Simmons ALPHA Base and with an adaptor plate to a Haldo Springback base. Consequently, this saves the labour costs of completely removing the existing base assembly and then installing a new baselight.

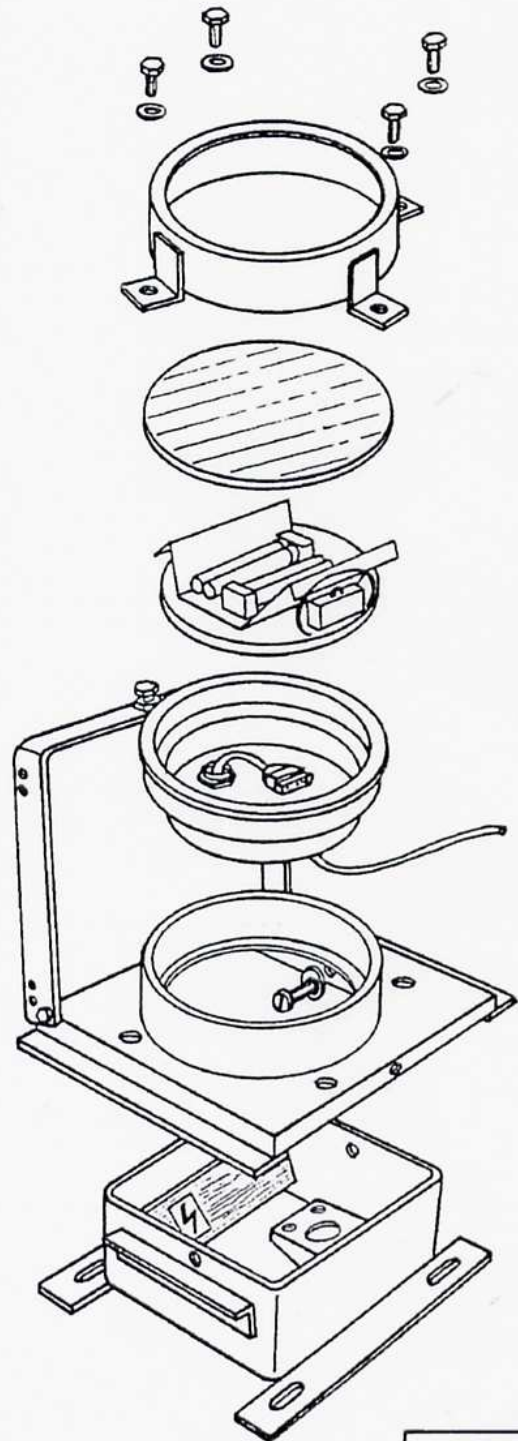
The HE 65 to HE 90/91 Converter is only suitable for bases that have been planted to their recommended level.

The Converter design incorporates a pivoting hinge frame which allows quick access to the bollard light enclosure, by simply undoing one anti-tamper fitting and removing the four lid retention bolts.

The twin fused 2 x PL 11 watt or 3 x PL 11 watt detachable gear trays complete with power factor correction is compatible with the Triplex PGD1 Bollard Base and gives a high level of bollard illumination well within the current version of BS 873. Two gear tray options are available, 2 x PL 11 watt/84 and a 3 x PL 11 watt/84. Both options are available with an infra-red photo electric cell



Final assembly of the HE65 to HE90/91 Plastic Bollard Top Converter showing the Pivot Frame Operation.



© U.D.R. - TRIPLEX ENGINEERING LTD. 1991



Certificate No. FM 13963
B.S. 5750 Part II : 1987
ISO 9002 : 1987, EN29002 : 1987

Triplex

Engineering Ltd

Upper Church Lane, Tipton,
West Midlands. DY4 9NZ.
Telephone: 021-557 3446
Fax: 021-522 2169



BASELIGHT CONVERTER GUIDE

Triplex Engineering's cost effective, robust range of Baselight Plastic Bollard Top Converters can be fitted in minutes to an existing spinelight base. Consequently, this saves the labour costs of completely removing the existing spinelight base assembly and then installing a new baselight. The range consists of two main converter bodies, the HE65 and Truesign converter body. With the use of adaptor plates and strips, the converters can fit several other types of spinelight base.

The converters are suitable for the Triplex range of 270mm and 600mm plastic bollards in both rigid and flexible. Other manufacturers bollards will also directly fit on the the converter such as HALDO, TRUESIGNS, PEARCE GOWSHALL and FOREST CITY.

The Converter designs incorporate a pivoting hinge frame which allows quick access to the bollard light enclosure, by simply undoing one anti-tamper fitting and removing the four lid retention bolts. This feature reduces maintenance costs, many other types of converters do not offer this feature and are awkward and costly to maintain.

The twin fused 2 x PL 11 watt or 3 x PL 11 watt detachable gear trays available with an infrared photo electric cell option, complete with power factor correction give a high level of bollard illumination. The gear tray options and the pivoting hinge frame are common throughout the range of converters and they are also compatible with the popular Triplex PGD1 Bollard Base, this compatibility simplifies ordering and helps to reduce levels of replacement stock.

| <i>SPINELIGHT BASE TO BE CONVERTED</i> | <i>CONVERTER BODY REQUIRED</i> | <i>ADAPTOR PLATE/STRIP (if required)</i> |
|--|------------------------------------|--|
| HE65 | HE 65 | NONE |
| SIMMONS ALPHA | HE65 | NONE |
| HALDO SPRINGBACK | HE65 | SPRINGBACK ADAPTOR PLATE |
| TRUESIGNS / WEST YORKSHIRE | TRUESIGNS | NONE |
| R.S.F. | TRUESIGNS | CONVERTER "U" STRIPS |
| PEARCE GOWSHALL | TRUESIGNS | CONVERTER "U" STRIPS |



Certificate No. FM 13963
B.S. 5750 Part II : 1987
ISO 9002 : 1987, EN29002 : 1987

Triplex

Engineering Ltd

Upper Church Lane, Tipton,
West Midlands. DY4 9NZ.
Telephone: 021-557 3446
Fax: 021-522 2169



HE90

RIGID PLASTIC BOLLARD

THE HE 90 RIGID PLASTIC BOLLARD

The HE90 Plastic Bollard has been manufactured from a tough, U.V. stabilised copolymer. The light output conforms to the proposed B.S. 873 1991, Section 5.3, Table 4 for totally illuminated bollards.

The "HE90" is a one-piece plastic Rotomoulding featuring integrally moulded sign faces and uniform 4-sided taper, which enables space saving stacking. The bollard body boasts excellent translucent light output, resistance to weathering, cleaning chemicals and vandal abuse and fits directly onto most common base light designs.

GENERAL BASE OPTION SPECIFICATIONS

The Base Options are suitable for both the HE90 and HE91 bollards and have the following features:

- i) Hot Dip Galvanised to B.S. 729 to give maximum protection.
- ii) Cable entry sealed using nylon glands rated to I.P. 6.8. cable sealing range of 9 to 16mm diameter. Alternatively the bases can be supplied with plugged entry holes for Authorities who wish to use either brass glands or heat shrink cable.
- iii) Both Bases have been designed to meet I.P. 6.7. for dust and water ingress.

RECTANGULAR BASE OPTION

A robust, traditional base design which accommodates the following light trays:-

- i) 2, 12" x 8 watt lamps
- ii) 3, 12" x 8 watt lamps
- iii) 2, PL x 11 watt /84 lamps

The HE90 bollard is retained to rectangular base with M8 nylon shear screws.

PDG1 ROUND BASE OPTION

The new PDG1 ROUND BASE option features a hinged pivot frame which enables the bollard top to be pivoted away from the base by just undoing one fitting, hence allowing fast access to the base for maintenance. The base design also incorporates a Domed 5mm thick Polycarbonate lid which enables the baselight to be visible after the bollard top has been sheared off.

The base accommodates the following light trays:-

- i) 2, PL x 11 watt /84 lamps
- ii) 3, PL x 11 watt /84 lamps

An Infra Red Photoelectric Cell Unit is an optional extra for both base types.

The HE90 bollard is retained to PDG1 Round Base with M10 nylon shear set screws and nuts.



The HE90 Bollard is available in 1, 2, 3 or 4 Aspects and provides users with potential for all site applications.



Certificate No. FM 13963
B.S. 5750 Part II : 1987
ISO 9002 : 1987, EN29002 : 1987

TRIPLEX ENGINEERING LIMITED

HE90/91 BOLLARD PARTS LIST

HE 90 RIGID AND HE91 FLEXIBLE BOLLARD TOP

RIGID PLASTIC BOLLARD TOP

| Part No. | Model |
|------------|--|
| HE90/PLAIN | HE90 PLAIN BOLLARD TOP |
| HE90/610L | HE90 WITH DIA 610 KEEP LEFT FOR 2/3 OR 4 ASPECTS ADD /2 ETC. |
| HE90/610R | HE90 WITH DIA 610 KEEP RIGHT " " " /2 ETC. |
| HE90/606L | HE90 WITH DIA 606 TURN LEFT " " " /2 ETC. |
| HE90/606R | HE90 WITH DIA 606 TURN RIGHT " " " /2 ETC. |
| HE90/611S | HE90 WITH DIA 611 PASS EITHER SIDE |
| HE90/616N | HE90 WITH DIA 616 NO ENTRY |

FLEXIBLE PLASTIC BOLLARD TOP

| Part No. | Model |
|------------|--------------------|
| HE91 PLAIN | HE91 PLAIN BOLLARD |

substitute HE91 for HE90 as the above sample and order as above.

BOLLARD BASES -Complete with light Trays

| Part No. | Model; Rectangular base light |
|----------|--|
| RTB/2X8 | RECTANGULAR 90/91 BASE COMPLETE WITH 2 x 8 WATT LIGHT TRAY |
| RTB/3X8 | RECTANGULAR 90/91 BASE 3 x 8 WATT LIGHT TRAY |
| RTB/2PL | RECTANGULAR 90/91 BASE " 2 x PL x 11 WATT/84 LIGHT TRAY |

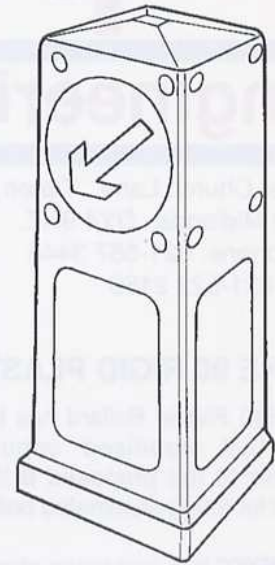
| Part No. | Model; Polycarbonate domed round base light |
|----------|--|
| PDG1/2PL | PDG1 BASE COMPLETE WITH 2 x PL x 11 WATT/84 LIGHT TRAY |
| PDG1/3PL | PDG1 BASE " " 3 x PL x 11 WATT/84 LIGHT TRAY |

SPARE PART LIST

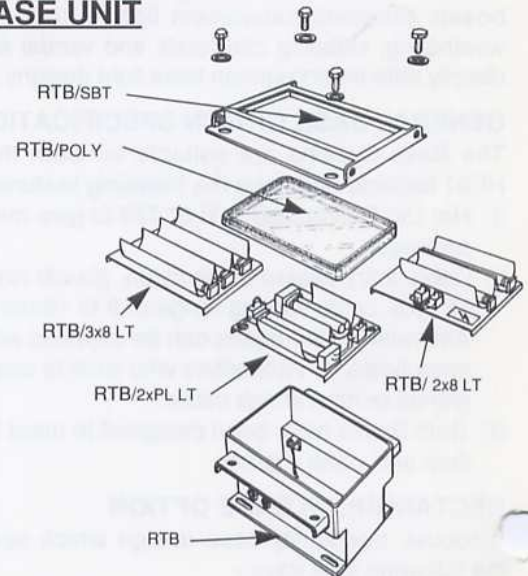
| Part No. | Model |
|-------------|---|
| RTB | RECTANGULAR 90/91 BASE UNIT |
| RTB/2X8LT | RECTANGULAR 90/91 2 x 8 WATT LIGHT TRAY |
| RTB/3X8LT | RECTANGULAR 90/91 3 x 8 WATT LIGHT TRAY |
| RTB/2PLLT | RECTANGULAR 90/91 2 x PL 11 WATT LIGHT TRAY |
| RTB/POLY | RECTANGULAR 90/91 POLYCARBONATE COVER |
| RTB/SBT | RECTANGULAR 90/91 STEEL BASE TOP |
| RTB/PEC | RECTANGULAR 90/91 PHOTOELECTRIC CELL |
| RTB/NSB | RECTANGULAR 90/91 NYLON SHEAR BOLT (SET OF 4) FOR RIGID BOLLARDS |
| RTB/SSB | RECTANGULAR 90/91 STAINLESS STEEL BOLT (SET OF 4) FOR FLEXI BOLLARD |
| PDG1/BASE | POLYCARBONATE DOMED BASE UNIT |
| PDG1/2PL/LT | PDG1 2 x PL 11 WATT LIGHT TRAY |
| PDG1/3PL/LT | PDG1 3 x PL 11 WATT LIGHT TRAY |
| PDG1/POLY | PDG1 POLYCARBONATE COVER |
| PDG1/HPF | PDG1 HINGED PIVOT FRAME |
| PDG1/PEC | PDG1 PHOTOCELL...WHERE PHOTOCELLS ARE REQUIRED ADD PEC |
| PDG1/NSB | PDG1 NYLON SHEAR BOLTS (SET OF 4) FOR RIGID BOLLARDS |
| PDG1/SSB | PDG1 STAINLESS STEEL BOLTS (SET OF 4) FOR FLEXIBLE BOLLARDS |
| HE90/91/SLR | DIA. 40 SCOTCH LITE REFLECTOR |

EXAMPLES OF CUSTOMER REQUIREMENTS

- HE91/610L/4 HE91 BOLLARD WITH DIA 610 KEEP LEFT SHOWING 4 ASPECTS
- HE91/610L/4/PDG1/3PL/PEC HE91 BOLLARD WITH DIA 610 KEEP LEFT SHOWING 4 ASPECTS WITH PDG1 BASE CONTAINING 3 X PL11 WATT LIGHT TRAY WITH PHOTO ELECTRIC CELL.



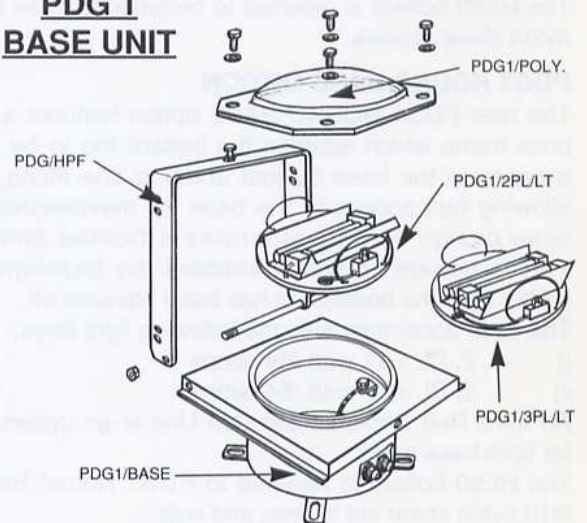
RECTANGULAR BASE UNIT



HE 90/91 SIGN FACE ASPECTS AVAILABLE



PDG 1 BASE UNIT



Triplex

Engineering Ltd

Upper Church Lane, Tipton,
West Midlands. DY4 9NZ.
Telephone: 021-557 3446
Fax: 021-522 2169



THE HE 91 "TRIP-FLEX" FLEXIBLE BOLLARD

The HE91 Flexible Plastic Bollard has been manufactured from a tough, U.V. stabilised Flexible copolymer. The light output conforms to the proposed B.S. 873 1991, Section 5.3, Table 4 for totally illuminated bollards.

The "Trip-Flex" is a one-piece plastic Rotomoulding featuring integrally moulded sign faces and uniform 4-sided taper, which enables space saving stacking. The bollard body boasts excellent translucent light output, resistance to weathering, cleaning chemicals and vandal abuse and will fit directly onto most common base light designs.

GENERAL BASE OPTION SPECIFICATIONS

The Base Options are suitable for both the HE90 and HE91 bollards and have the following features:

- i) Hot Dip Galvanised to B.S. 729 to give maximum protection.
- ii) Cable entry sealed using nylon glands rated to I.P. 6.8. Cable sealing range of 9 to 16mm diameter. Alternatively the bases can be supplied with plugged entry holes for Authorities who wish to use either brass glands or heat shrink cable.
- iii) Both Bases have been designed to meet I.P. 6.7. for dust and water ingress.

RECTANGULAR BASE OPTION

A robust, traditional base design which accommodates the following light trays:-

- i) 2, 12" x 8 watt lamps
- ii) 3, 12" x 8 watt lamps
- iii) 2, PL x 11 watt /84 lamps

We recommend that the HE91 bollard is retained to rectangular base with M8 Stainless Steel Set Pins and Nuts.

PDG1 ROUND BASE OPTION

The new PDG1 ROUND BASE option features a hinged pivot frame which enables the bollard top to be pivoted away from the base by just undoing one fitting, hence allowing fast access to the base for maintenance. The base design also incorporates a Domed 5mm thick Polycarbonate lid which enables the baselight to be visible after the bollard top has been sheared off.

The base accommodates the following light trays:-

- i) 2, PL x 11 watt /84 lamps
- ii) 3, PL x 11 watt /84 lamps

An Infra Red Photoelectric Cell Unit is an optional extra for both base types.

We recommend that the HE91 flexible bollard is retained to the PDG 1 base with M8 Stainless Steel Set Pins and Nuts.

HE91

"TRIP-FLEX" FLEXIBLE PLASTIC BOLLARD



The HE91 "Trip-Flex" Bollard is available in 1, 2, 3 or 4 Aspects and provides users with potential for all site applications.



Certificate No. FM 13963
B.S. 5750 Part II : 1987
ISO 9002 : 1987, EN29002 : 1987

TRIPLEX ENGINEERING LIMITED

HE90/91 BOLLARD PARTS LIST

HE 90 RIGID AND HE91 FLEXIBLE BOLLARD TOP

RIGID PLASTIC BOLLARD TOP

| Part No. | Model |
|------------|--|
| HE90/PLAIN | HE90 PLAIN BOLLARD TOP |
| HE90/610L | HE90 WITH DIA 610 KEEP LEFT FOR 2/3 OR 4 ASPECTS ADD /2 ETC. |
| HE90/610R | HE90 WITH DIA 610 KEEP RIGHT " " " /2 ETC. |
| HE90/606L | HE90 WITH DIA 606 TURN LEFT " " " /2 ETC. |
| HE90/606R | HE90 WITH DIA 606 TURN RIGHT " " " /2 ETC. |
| HE90/611S | HE90 WITH DIA 611 PASS EITHER SIDE |
| HE90/616N | HE90 WITH DIA 616 NO ENTRY |

FLEXIBLE PLASTIC BOLLARD TOP

| Part No. | Model |
|------------|--------------------|
| HE91 PLAIN | HE91 PLAIN BOLLARD |

substitute HE91 for HE90 as the above sample and order as above.

BOLLARD BASES -Complete with light Trays

| Part No. | Model; Rectangular base light |
|----------|--|
| RTB/2X8 | RECTANGULAR 90/91 BASE COMPLETE WITH 2 x 8 WATT LIGHT TRAY |
| RTB/3X8 | RECTANGULAR 90/91 BASE 3 x 8 WATT LIGHT TRAY |
| RTB/2PL | RECTANGULAR 90/91 BASE " 2 x PL x 11 WATT/84 LIGHT TRAY |

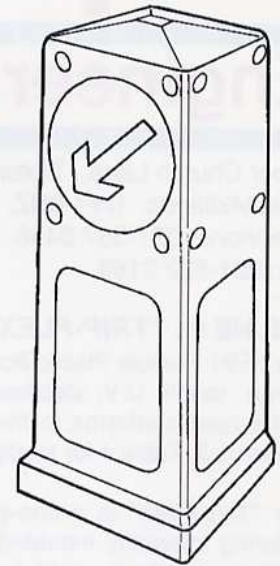
| Part No. | Model; Polycarbonate domed round base light |
|----------|--|
| PDG1/2PL | PDG1 BASE COMPLETE WITH 2 x PL x 11 WATT/84 LIGHT TRAY |
| PDG1/3PL | PDG1 BASE " " 3 x PL x 11 WATT/84 LIGHT TRAY |

SPARE PART LIST

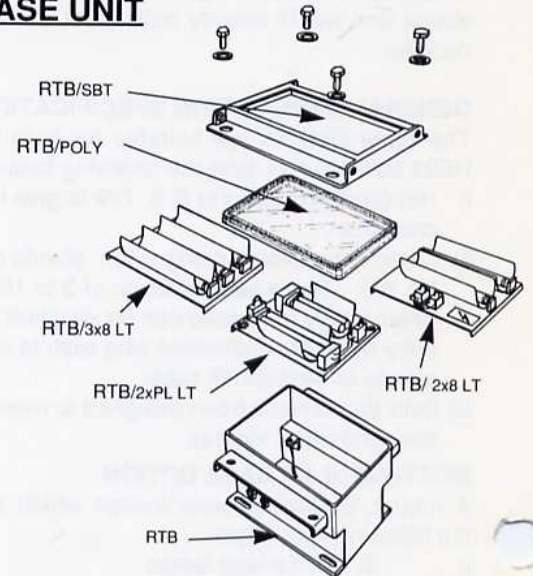
| Part No. | Model |
|-------------|---|
| RTB | RECTANGULAR 90/91 BASE UNIT |
| RTB/2X8LT | RECTANGULAR 90/91 2 x 8 WATT LIGHT TRAY |
| RTB/3X8LT | RECTANGULAR 90/91 3 x 8 WATT LIGHT TRAY |
| RTB/2PLLT | RECTANGULAR 90/91 2 x PL 11 WATT LIGHT TRAY |
| RTB/POLY | RECTANGULAR 90/91 POLYCARBONATE COVER |
| RTB/SBT | RECTANGULAR 90/91 STEEL BASE TOP |
| RTB/PEC | RECTANGULAR 90/91 PHOTOELECTRIC CELL |
| RTB/NSB | RECTANGULAR 90/91 NYLON SHEAR BOLT (SET OF 4) FOR RIGID BOLLARDS |
| RTB/SSB | RECTANGULAR 90/91 STAINLESS STEEL BOLT (SET OF 4) FOR FLEXI BOLLARD |
| PDG1/BASE | POLYCARBONATE DOMED BASE UNIT |
| PDG1/2PL/LT | PDG1 2 x PL 11 WATT LIGHT TRAY |
| PDG1/3PL/LT | PDG1 3 x PL 11 WATT LIGHT TRAY |
| PDG1/POLY | PDG1 POLYCARBONATE COVER |
| PDG1/HPF | PDG1 HINGED PIVOT FRAME |
| PDG1/PEC | PDG1 PHOTOCELL...WHERE PHOTOCELLS ARE REQUIRED ADD PEC |
| PDG1/NSB | PDG1 NYLON SHEAR BOLTS (SET OF 4) FOR RIGID BOLLARDS |
| PDG1/SSB | PDG1 STAINLESS STEEL BOLTS (SET OF 4) FOR FLEXIBLE BOLLARDS |
| HE90/91/SLR | DIA. 40 SCOTCH LITE REFLECTOR |

EXAMPLES OF CUSTOMER REQUIREMENTS

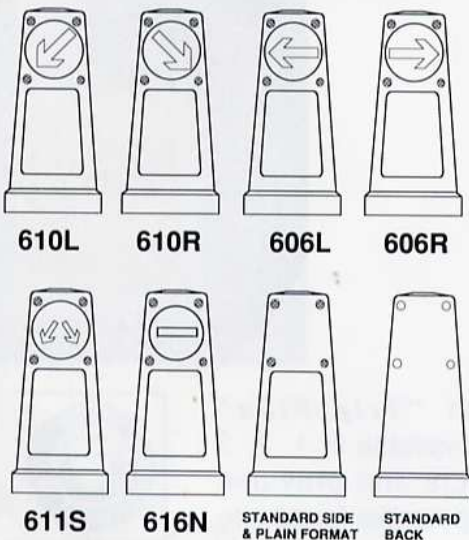
- HE91/610L/4 HE91 BOLLARD WITH DIA 610 KEEP LEFT SHOWING 4 ASPECTS
- HE91/610L/4/PDG1/3PL/PEC HE91 BOLLARD WITH DIA 610 KEEP LEFT SHOWING 4 ASPECTS WITH PDG1 BASE CONTAINING 3 X PL11 WATT LIGHT TRAY WITH PHOTO ELECTRIC CELL.



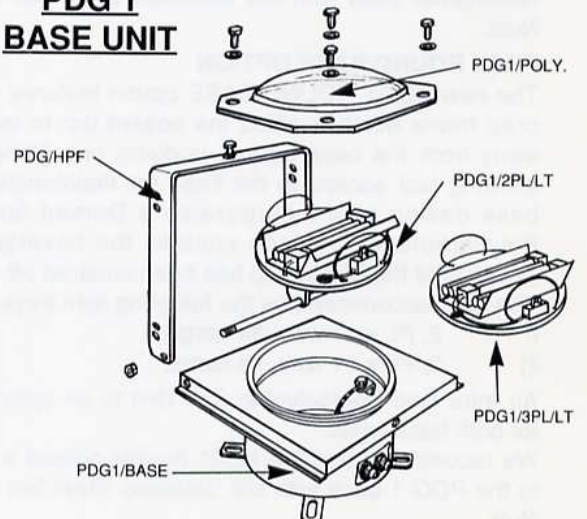
RECTANGULAR BASE UNIT



HE 90/91 SIGN FACE ASPECTS AVAILABLE



PDG 1 BASE UNIT



Triplex

Engineering Ltd

Upper Church Lane, Tipton,
West Midlands. DY4 9NZ.
Telephone: 021-557 3446
Fax: 021-522 2169



HI-LITE 600

600 MM PLASTIC BOLLARD RANGE

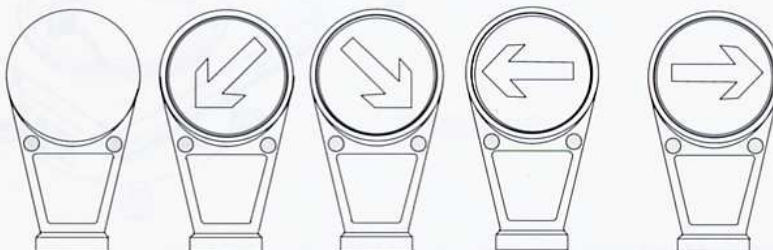
HI-LITING THE DANGERS OF TODAYS HIGH SPEED ROADS

The "**NEW HI-LITE 600**" plastic bollard has been developed to compliment the range of bollards currently manufactured by Triplex Engineering.

Designed with compatibility as a key feature, the HI-LITE 600 will fit to the HE90 square base, the **PDG1 round Base**, the range of Triplex **Hinged Baselight converters**, not to mention a host of other baselights offered in the Traffic Engineering Field.

The HI-LITE is available in both rigid and flexible specifications, thus offering a solution and potential for significant cost savings on those accident black spot sites, where there has been a known history of frequent Knockdowns.

To optimise the HI-LITE'S performance, Triplex strongly recommend the use of the 3 x PL11 watt gear tray to give optimum illuminance values at the signface.



Certificate No. FM 13963
B.S. 5750 Part II : 1987
ISO 9002 : 1987, EN29002 : 1987

TRIPLEX ENGINEERING LIMITED

HIGH-LITE 600 BOLLARD PARTS LIST

HIGH-LITE 600 RIGID AND FLEXIBLE BOLLARD TOP

HIGH-LITE 600 RIGID PLASTIC BOLLARD TOP

| Part No. | Model |
|-----------|---|
| HLR/PLAIN | HIGH-LITE 600 RIGID PLAIN BOLLARD TOP |
| HLR/610L | HIGH-LITE 600 RIGID WITH DIA 610 KEEP LEFT |
| HLR/610R | HIGH-LITE 600 RIGID WITH DIA 610 KEEP RIGHT |
| HLR/606L | HIGH-LITE 600 RIGID WITH DIA 606 TURN LEFT |
| HLR/606R | HIGH-LITE 600 RIGID WITH DIA 606 TURN RIGHT |

HIGH-LITE 600 FLEXIBLE PLASTIC BOLLARD TOP

| Part No. | Model |
|-----------|--------------------------------------|
| HLF/PLAIN | HIGH-LITE 600 FLEXIBLE PLAIN BOLLARD |

substitute HLR for HLF as the above sample and order as above.

BASELIGHTING - We recommend the following baselight

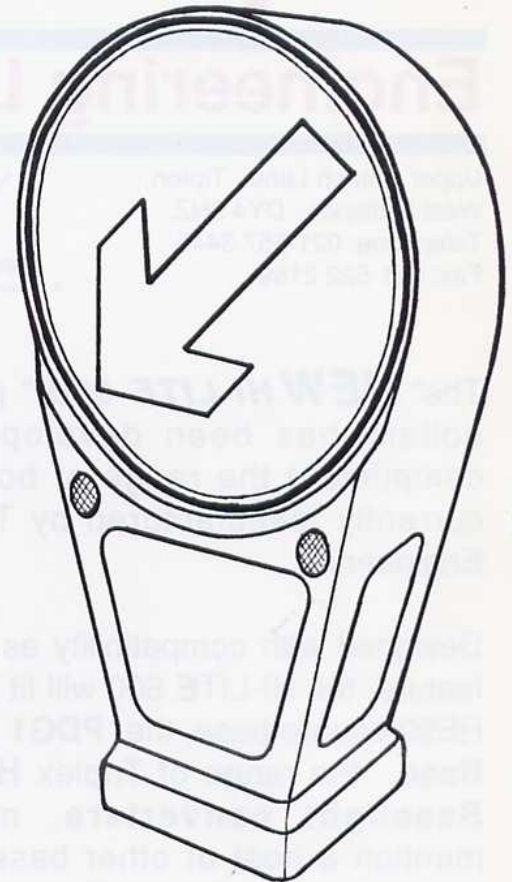
| Part No. | Model |
|----------|--|
| PDG1/3PL | PDG1 BASE 3 x PL x 11 WATT/84 LIGHT TRAY |

SPARE PART LIST

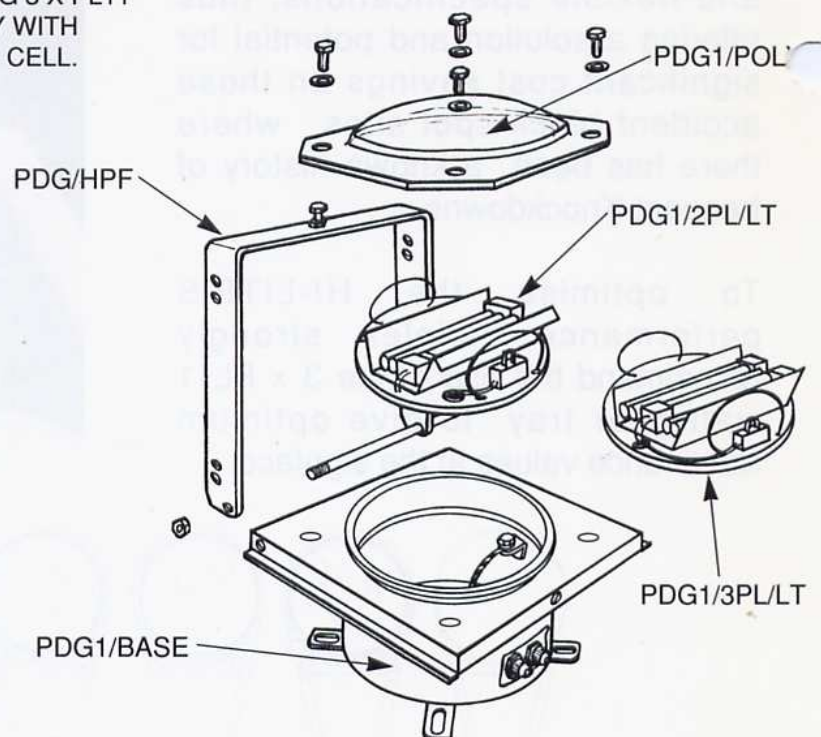
| Part No. | Model |
|-------------|---|
| PDG1/BASE | POLYCARBONATE DOMED BASE UNIT |
| PDG1/3PL/LT | PDG1 3 x PL 11 WATT LIGHT TRAY |
| PDG1/POLY | PDG 1 POLYCARBONATE COVER |
| PDG1/HPF | PDG1 HINGED PIVOT FRAME |
| PDG1/PEC | PDG1 PHOTOCELL...WHERE PHOTOCELLS ARE REQUIRED ADD PEC |
| PDG1/NSB | PDG1 NYLON SHEAR BOLTS (SET OF 4) FOR RIGID BOLLARDS |
| PDG1/SSB | PDG1 STAINLESS STEEL BOLTS (SET OF 4) FOR FLEXIBLE BOLLARDS |
| HL/SLR | DIA. 50 SCOTCH LITE REFLECTOR |

EXAMPLES OF CUSTOMER REQUIREMENTS

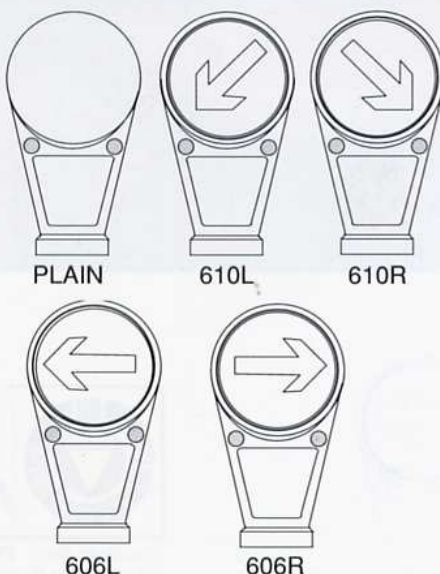
- HLF/610L HIGH-LITE 600 FLEXIBLE BOLLARD WITH DIA 610 KEEP LEFT
- HLR/610L/PDG1/3PL/PEC HIGH-LITE 600 BOLLARD WITH DIA 610 KEEP LEFT WITH PDG1 BASE CONTAINING 3 X PL11 WATT LIGHT TRAY WITH PHOTO ELECTRIC CELL.



PDG 1 BASE UNIT



HIGH-LITE 600 SIGN FACE ASPECTS AVAILABLE



Triplex

Engineering Ltd

Upper Church Lane, Tipton,
West Midlands. DY4 9NZ.
Telephone: 021-557 3446
Fax: 021-522 2169



PDG 1 ROUND BASELIGHT FOR THE PLASTIC BOLLARD RANGE

Bollard option affixed to baselight using either shear or non shear fittings depending on type of bollard being used i.e. Rigid Or Flexible.

PDG1 base design allows the bollard to be fitted to the pivoting hinge frame, which is independent of the sealing base lid, thus after heavy impact there is practically no chance of water ingress through a damaged or distorted lid.

Hinged pivot frame to which bollard top is affixed allows for quick access to bollard light enclosure, by simply undoing one anti tamper fitting.

Rag feet centres positioned to maintain compliance with BS 873 Part 3 1990, However we strongly recommend that this base is concreted into its site to the required planting depth.

One piece, heavy duty spun steel canister forming baselight enclosure ensures robust highly efficient watertight base.

The base assembly is completely galvanised to BS 729 to give maximum protection.

Lid retained to base using non corrosive stainless steel fittings. Hex-head and Tri-head available.

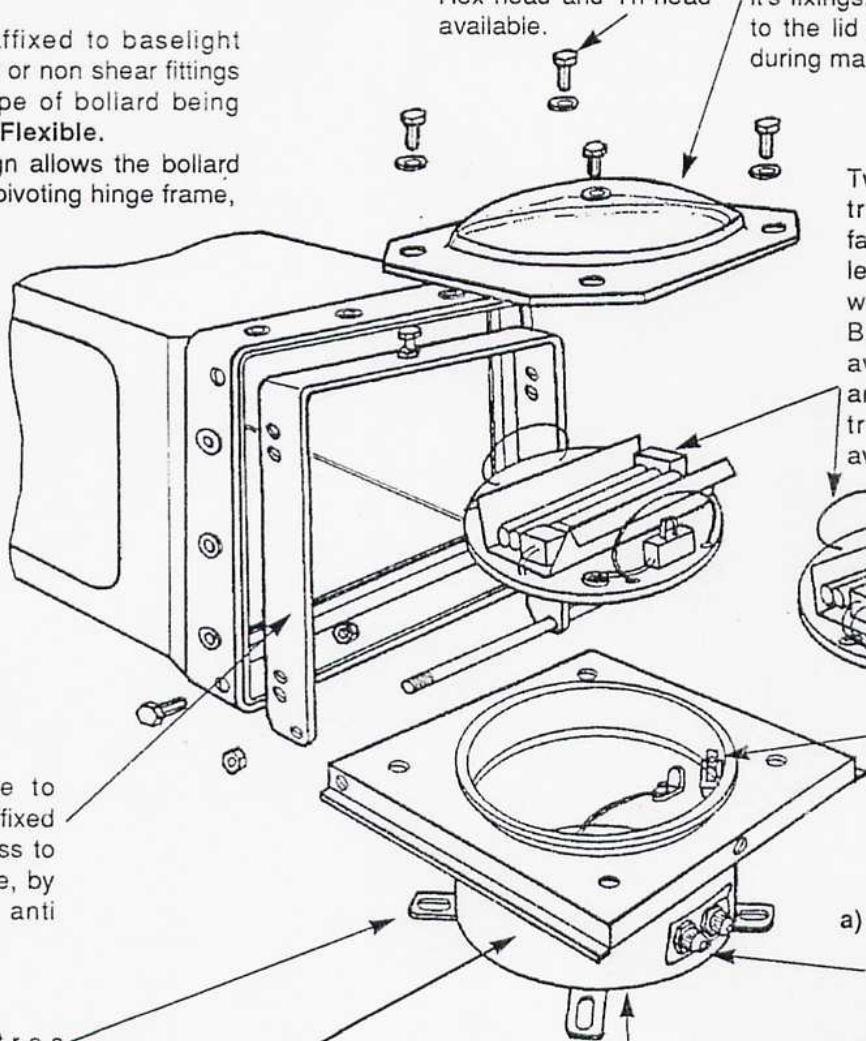
Domed polycarbonate lid enables the baselight to be visible even after the bollard top has been sheared from it's fixings. A recessed seal is affixed to the lid to protect it from damage during maintenance.

Twin fused PL 11 Watt gear tray complete with power factor correction, gives high level of bollard illumination well within current version of BS 873. Two options available, 2 x PL11/84 watt and a 3 x PL/84 watt gear trays. Both options are available with infrared P.E.C.

An option of Double Pole Isolation is available.

3 Options of Cable Entry

- Nylon glands rated to IP 68 with a cable sealing range of 9 to 16 mm in diameter.
- 4 21mm dia. holes, 3 Plugged for Brass Gland use. Two holes front face and two on rear face.
- Turret Entry, 25mm O/D tube for shrink wrap sealing.



THE NEW **PDG 1** BASELIGHT, DESIGNED TO MEET I.P. 6.7., FEATURING HINGED FAST ACCESS AND MAINTENANCE, DOMED LAMP COVER LID FOR INCREASED STRENGTH AND VISIBILITY AFTER BOLLARD SHEAR.

THE BASE HAS BEEN DESIGNED TO ACCOMMODATE BOTH THE RIGID AND FLEXIBLE 270mm AND 600mm PLASTIC BOLLARD RANGES AND UTILISES THE PL 11 WATT LAMP NOW COMMONLY USED BY MOST LOCAL AUTHORITIES.



U.D.R - TRIPLEX 1990



Certificate No. FM 13963
B.S. 5750 Part II : 1987
ISO 9002 : 1987, EN29002 : 1987

Triplex

Engineering Ltd

Upper Church Lane, Tipton,
West Midlands. DY4 9NZ.
Telephone: 021-557 3446
Fax: 021-522 2169



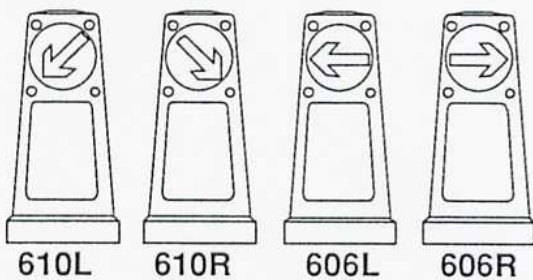
PLASTIC INTERNALLY ILLUMINATED BOLLARD SPECIFICATIONS

HE90/HE91 270mm & HI-LITE 600R/600F

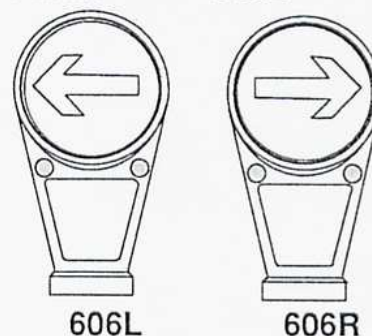
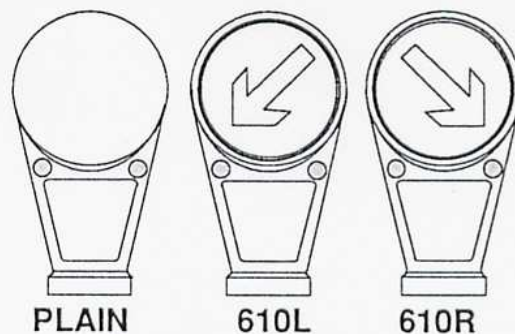
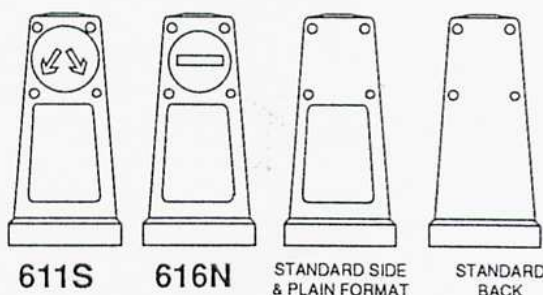
- Bollard shells are designed to meet the requirements of B.S. 873, Part 3 1980.
- Rigid bollards are manufactured from Medium Density Polyethylene (UV stabilised).
- Flexible bollards are manufactured from Ethylene Butyl Acrylate (UV stabilised).
- Both the Rigid and Flexible options utilise moulded in graphic sign faces. Standard and Black Border Sign Faces are available on the 270mm Bollards. The 600mm Bollards are only available with Black Border Sign Faces.
- All bollard top options have a stiffening angle insert frame at the base. This is manufactured in 2mm mild steel and then Hot Dip Galvanised to B.S. 729.
- Nylon fixings are supplied for the Rigid Bollard options and Stainless Steel fittings for the Flexible Bollard options. Threaded and drive-in fixings available.
- Both Bollard options utilise adhesive Scotchlite Class 1 Reflectors.
- The bollard tops fit a wide range of other manufacturers bases, such as Haldo Truesigns, Pearce Gowshall and Forest City (specify when ordering).

HE90/91 270mm BOLLARD OPTIONS

HI-LITE 600mm BOLLARD OPTIONS



Black Border Cycle Lane Sign
Face also available



Certificate No. FM 13963
B.S. 5750 Part II : 1987
ISO 9002 : 1987, EN29002 : 1987

Triplex

Engineering Ltd

Upper Church Lane, Tipton,
West Midlands. DY4 9NZ.
Telephone: 021-557 3446
Fax: 021-522 2169



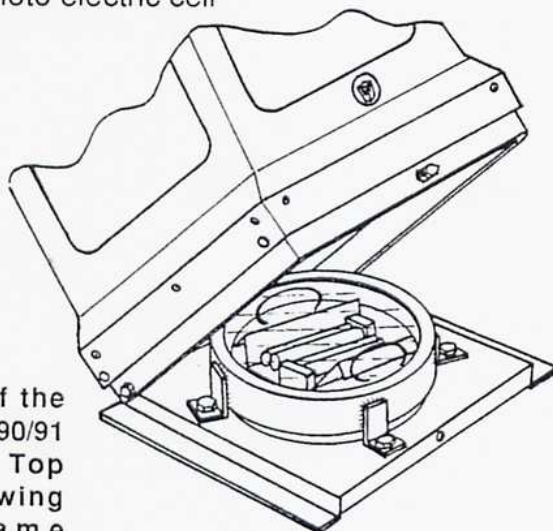
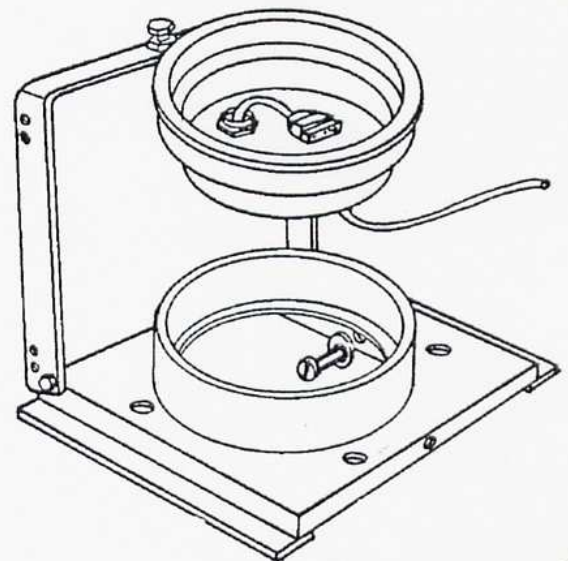
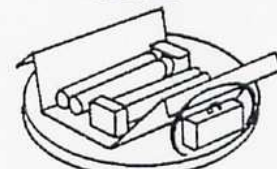
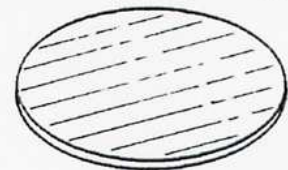
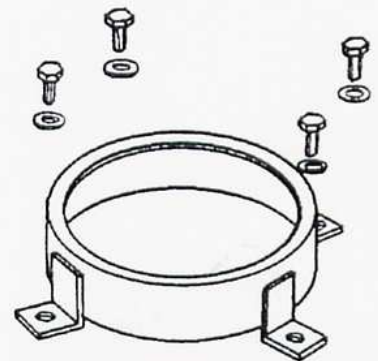
TRUESIGNS TO HE 90/91 BASELIGHT QUICK ACCESS CONVERTER

The TRUESIGNS to HE 90/91 Plastic Bollard Top Converter is manufactured in heavy duty steel and galvanised to BS 729 to produce a very robust product. The Converter can be fitted in minutes to an existing West Yorkshire base. Consequently, this saves the labour costs of completely removing the existing base and then installing a new baselight.

The TRUESIGNS to HE 90/91 Converter is only suitable for bases that have been planted to their recommended level.

The Converter design incorporates a pivoting hinge frame which allows quick access to the bollard light enclosure, by simply undoing one anti-tamper fitting and removing the four lid retention bolts.

The twin fused PL 11 watt detachable gear tray complete with power factor correction are compatible with the Triplex PGD1 Bollard Base and gives a high level of bollard illumination well within the current version of BS 873. Two gear tray options are available, 2 x PL 11 watt/84 and a 3 x PL 11 watt/84. Both options are available with an infra-red photo electric cell



Final assembly of the TRUESIGNS to HE90/91 Plastic Bollard Top Converter showing the pivot frame operation.

© U.D.R. - TRIPLEX ENGINEERING LTD. 1991



Certificate No. FM 13963
B.S. 5750 Part II : 1987
ISO 9002 : 1987, EN29002 : 1987

Triplex

Engineering Ltd

Upper Church Lane, Tipton,
West Midlands. DY4 9NZ.
Telephone: 021-557 3446
Fax: 021-522 2169



R.S.F. AND PEARCE GOWSHALL BASE TO HE 90/91 BASELIGHT QUICK ACCESS CONVERTER

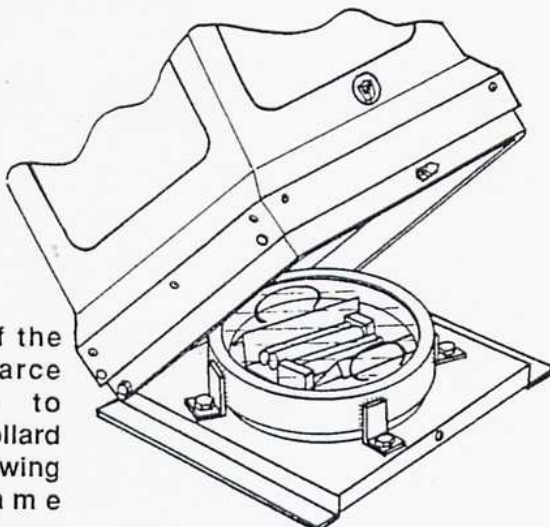
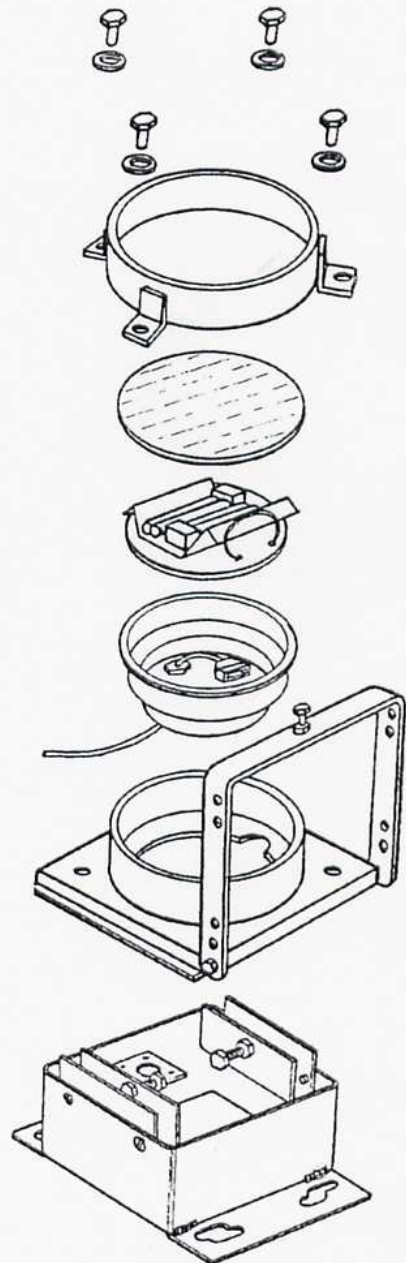
The R.S.F. and Pearce Gowshall Base to HE 90/91 Plastic Bollard Top Converter consists of the Triplex Engineering Truesign base Converter Body with two additional "U" strips that locate into the existing R.S.F. base.

The converter is manufactured in heavy duty steel and galvanised to BS 729 to produce a very robust product. The Converter can be fitted in minutes to an existing R.S.F. base. Consequently, this saves the labour costs of completely removing the existing base and then installing a new baselight.

The HE 90/91 Converter is only suitable for bases that have been planted to their recommended level.

The Converter design incorporates a pivoting hinge frame which allows quick access to the bollard light enclosure, by simply undoing one anti-tamper fitting and removing the four lid retention bolts.

The twin fused PL 11 watt detachable gear tray complete with power factor correction are compatible with the Triplex PGD1 Bollard Base and gives a high level of bollard illumination well within the current version of BS 873. Two gear tray options are available, 2 x PL 11 watt/84 and a 3 x PL 11 watt/84. Both options are available with an infra-red photo electric cell.



Final assembly of the R.S.F. and Pearce Gowshall Base to HE90/91 Plastic Bollard Top Converter showing the pivot frame operation.



Triplex

Engineering Ltd

Upper Church Lane, Tipton,
West Midlands. DY4 9NZ.
Telephone: 021-557 3446
Fax: 021-522 2169



SUBWAY LIGHTING UNITS

SUBWAY LIGHTING UNIT

A robust design manufactured with a 3mm thick steel bezel. This is fitted with a double - skinned polycarbonate panel, a main 3mm opal and a 1mm thick clear front panel which protects the main panel from exposure to graffiti and cleaning detergents.

They can be fitted as a single unit, or as a continuous run, inter-spaced with blanking plates, to allow the cabling to be covered. This also acts as a further restriction to vandalism on access points.

This system has been successfully tested and used by many Local Authorities with large savings being made in man hours and replacement costs.

Lighting Design

Lighting units can be manufactured to any design to suit every type of location, but there are two preferred sizes containing:-

- 2, Linear 18w fluorescent tubes or
- 2, Linear 58w fluorescent tubes

Electrical Specification

Lighting units include standard terminal connections which can be reached by surface or sunken cables.

Finish

The units are Zinc Phosphated and then Powder Coated Polyester white. Other colours can be provided on demand.

Method of Fixing

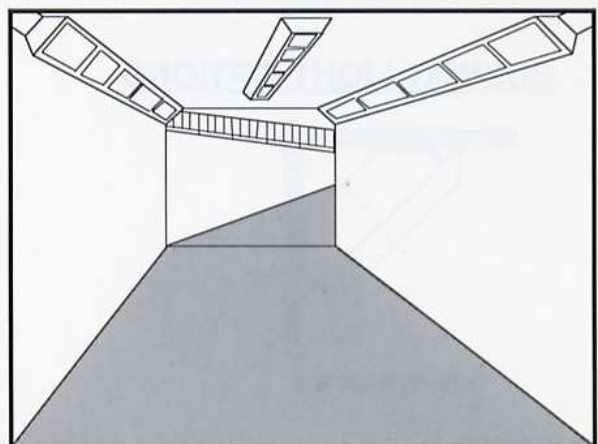
Installation is effected by fixing through the concealed angle frames or directly through the housing.

Cleaning

Units are best fitted flush and the high gloss finish on both the blanking plates and the light unit makes for easy cleaning during routine maintenance.



Corner and Ceiling Mounting



Certificate No. FM 13963
B.S. 5750 Part II : 1987
ISO 9002 : 1987, EN29002 : 1987

TRIPLEX ENGINEERING LIMITED

SUBWAY LIGHTING UNIT PARTS LIST

675mm BODY with 2, 18w Fluorescent tubes (Overall Dimensions mm)

| | BODY (mm) | BEZEL OPTIONS (mm) | | |
|--------|-----------|--------------------|----------|---------|
| | | CORNER | RECESSED | SURFACE |
| LENGTH | 675 | 683 | 740 | 850 |
| WIDTH | 182 | 245 | 245 | 354 |

STANDARD BLANKING PLATE LENGTH IS 683mm

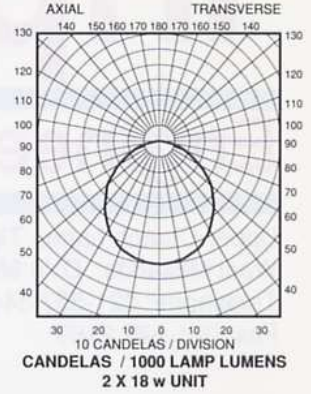
NOTES

- i) For Surface Mounted Option, overall height is 90mm.
- ii) For the Ceiling Recessed application, the socket depth must be at least 70mm.
- iii) Non-standard Blanking Plates are available, please state size
- iv) Recessed Bezel length dimensions are for individual units, ie. the bezel is tapered down at the ends. Use Corner Bezel dimensions for runs of units.

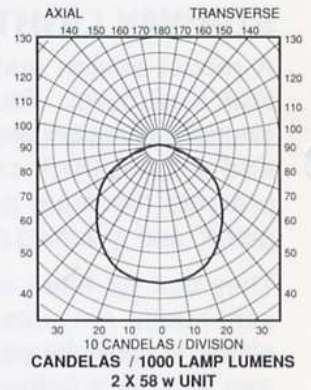
1580mm BODY with 2, 58w Fluorescent tubes (Overall Dimensions mm)

| | BODY (mm) | BEZEL OPTIONS (mm) | | |
|--------|-----------|--------------------|----------|---------|
| | | CORNER | RECESSED | SURFACE |
| LENGTH | 1580 | 1588 | 1646 | 1756 |
| WIDTH | 182 | 245 | 245 | 354 |

STANDARD BLANKING PLATE LENGTH IS 1588mm



INTENSITY DISTRIBUTION GRAPHS



PARTS LIST 675 BODY

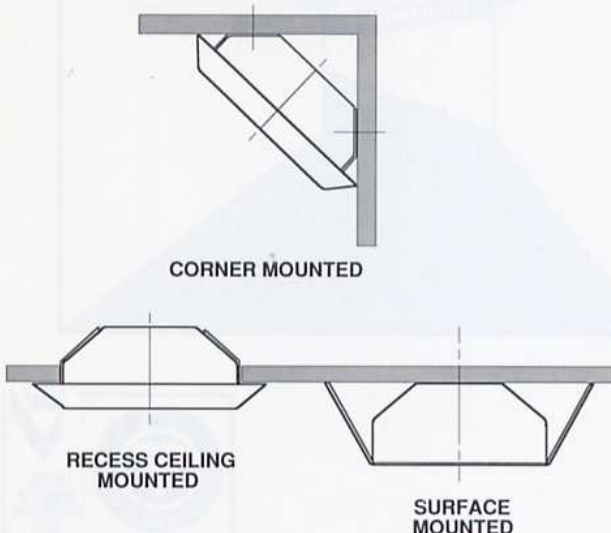
| PART N°. | MODEL |
|-------------|-----------------------------------|
| SUB675B | 675 MM BODY |
| SUB675/SMBZ | 675 SURFACE MOUNTED BEZEL |
| SUB675/CMBZ | 675 CORNICE MOUNTED BEZEL |
| SUB675/RMBZ | 675 RECESSED MOUNTED BEZEL |
| SUB675/LTC | 675 LIGHT TRAY COMPLETE |
| SUB675/3OPC | 675 3MM OPAL POLYCARBONATE COVER |
| SUB675/1CPC | 675 1MM CLEAR POLYCARBONATE COVER |
| SUB675/BP | STANDARD BLANKING PLATE |
| SUBCSK/B | C'SUNK ALLEN HEAD SET SCREWS |
| SUBCAG/NT | CAGE NUT |
| SUB/BP/SUP | BLANKING PLATE SUPPORT BRACKET |

PARTS LIST 1580 BODY

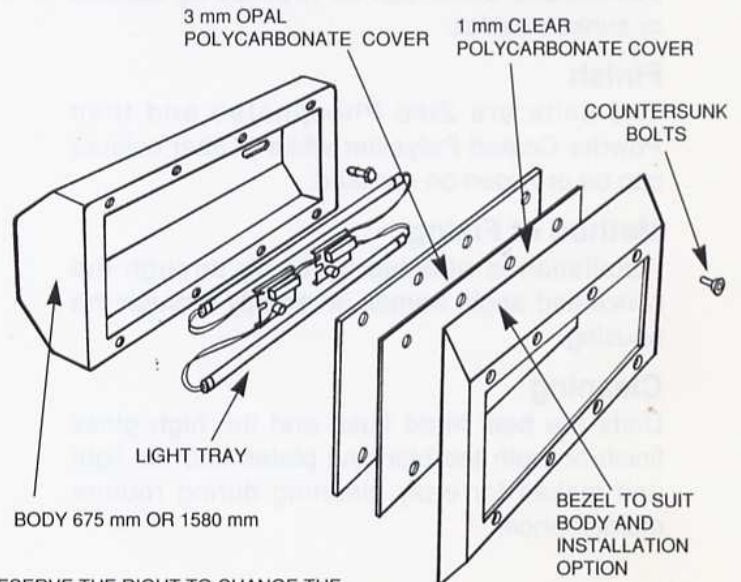
| PART N°. | MODEL |
|--------------|------------------------------------|
| SUB1580B | 1580 MM BODY |
| SUB1580/SBZL | 1580 SURFACE BEZEL |
| SUB1580/CBZL | 1580 CORNICE MOUNTED BEZEL |
| SUB1580/RBZL | 1580 RECESSED MOUNTED BEZEL |
| SUB1580/LTC | 1580 LIGHT TRAY COMPLETE |
| SUB1580/3OPC | 1580 3MM OPAL POLYCARBONATE COVER |
| SUB1580/1CPC | 1580 1MM CLEAR POLYCARBONATE COVER |
| SUB1580/BP | STANDARD BLANKING PLATE |
| SUBCSK/B | COUNTERSUNK ALLEN HEAD SET SCREWS |
| SUBCAG/NT | CAGE NUT |
| SUB/BP/SUP | BLANKING PLATE SUPPORT BRACKET |

EXAMPLE OF CUSTOMER ORDER - SUB675B/CMBZ - CUSTOMER RECEIVES A 675 SUBWAY LIGHT WITH CORNICE MOUNTED BEZEL

SUBWAY LIGHT OPTIONS



SUBWAY LIGHT COMPONENTS



Triplex

Engineering Ltd

Upper Church Lane, Tipton,
West Midlands. DY4 9NZ.
Telephone: 021-557 3446
Fax: 021-522 2169



BELISHA BEACON & CENTRE ISLAND COLUMN ASSEMBLIES

BELISHA BEACON AND CENTRE ISLAND COLUMN SPECIFICATIONS

The Belisha Beacon Base and Post are finished in Black and White with a Yellow Globe assembly and the Centre Island Column Assemblies are finished in Grey and White with an Opal Globe assembly.

Two globe options are available :-

- i) A single piece polythene for greater vandal resistance.
- ii) A two piece Acrylic for superior illumination.

To maintain the lighting units, the globe is easily removed from the gallery by undoing three M6 allen head socket screws. The globe is then lifted off over the lamp and anti vibration assembly.

An accurate Royce Thompson timing unit is used as standard in the product.

For the Belisha beacon light output is supplied by a 60 watt G.L.S. bulb.

For Centre Island Column applications there are two lighting options, a 2, 9" x 6 watt fluorescent tubes or a single PLS 18 watt/84 compact fluorescent tube option.

BASE POST OPTIONS

Two options of the LBO 365 post are available. A one-piece rooted large base assembly or the Breakaway two-piece base assembly with separate foundation service box.

GENERAL ACCESSORIES

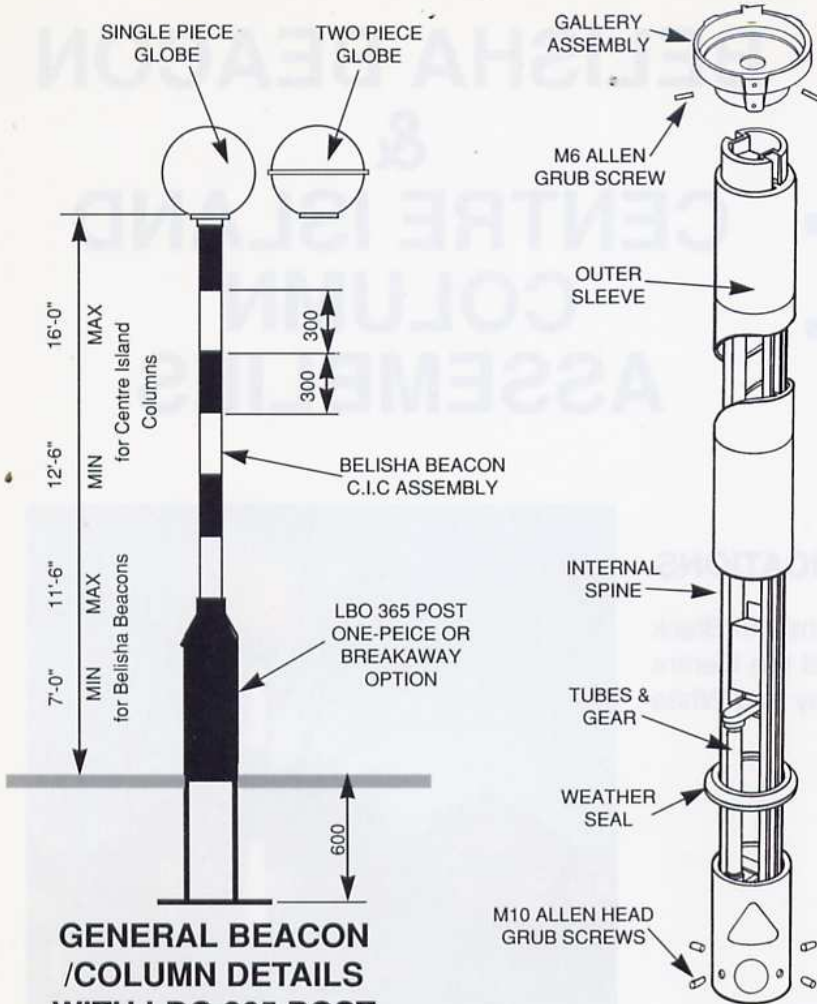
An option of Internally Illuminated Converter Posts 4'-0" and 7'-0" lengths are also available, these greatly enhance the visibility of the product. These are available for both the Belisha Beacon and Centre Island Columns.

BELISHA BEACON ACCESSORIES

Halo Boards
Full Light Shield
Half Light Shield
Floodlights to illuminate the crossing



Certificate No. FM 13963
B.S. 5750 Part II : 1987
ISO 9002 : 1987, EN29002 : 1987



GENERAL BEACON / COLUMN DETAILS WITH LBO 365 POST
 POST FINISH
 BLACK FOR B/BEACON
 GREY FOR C.I.C.

BELISHA BEACONS ASSEMBLY
 Black & White Post c/w Amber Globe, Gallery, Lampholder c/w anti-vibration spring for G.L.S. 60 watt Bulb available with converter.

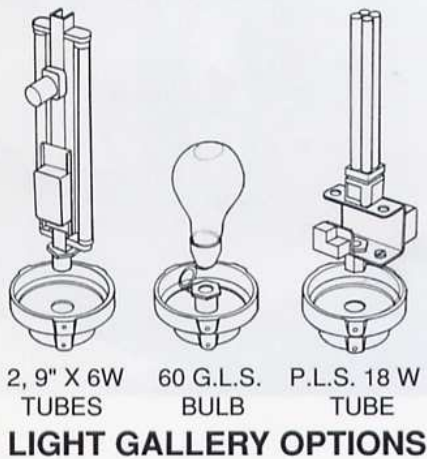
| Length Ft- Ins. | with 4'-0" Converter | with 7'-0" Converter |
|-----------------|----------------------|----------------------|
| 7'-0" | / | / |
| 8'-0" | / | / |
| 9'-0" | / | / |
| 10'-0" | / | / |
| 11'-0" | / | / |
| 12'-0" | / | / |

CENTRE ISLAND COLUMN ASSEMBLY
 Grey & White Post c/w Opal Globe, C.I.C. Lighting Unit c/w 2, 9" x 6 watt tubes or P.L.S. 18 watt tube available with converter.

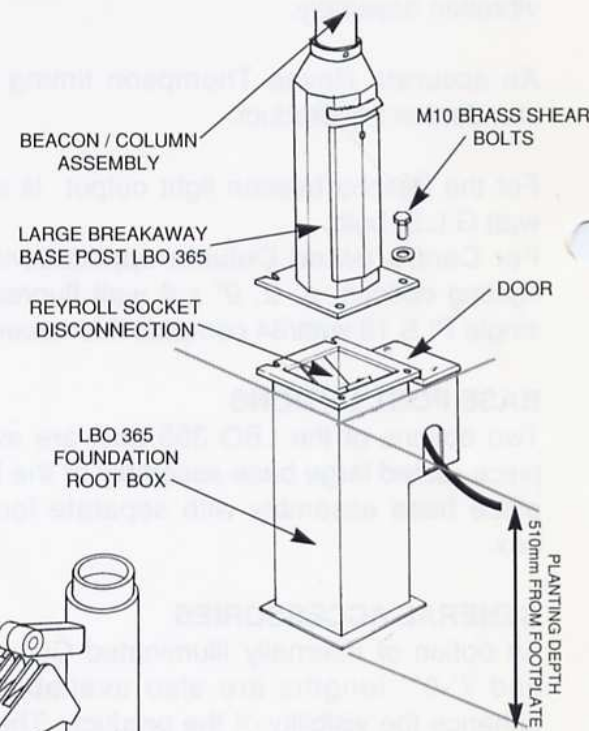
| | | |
|--------|---|---|
| 12'-6" | / | / |
| 13'-6" | / | / |
| 14'-6" | / | / |
| 15'-6" | / | / |
| 16'-0" | / | / |

The post assemblies attach to the LBO 365 with M10 allen socket grub screws and the galleries are attached with M6 grub screws

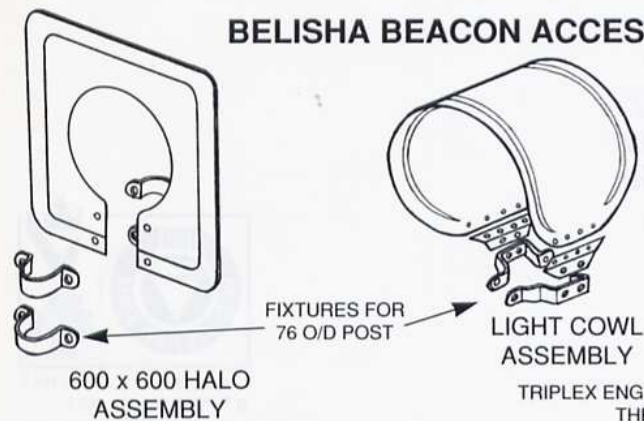
ILLUMINATED BEACON CONVERTER ASSEMBLY
 4'-0" & 7'-0" AVAILABLE



2, 9" X 6W TUBES
 60 G.L.S. BULB
 P.L.S. 18 W TUBE
LIGHT GALLERY OPTIONS



BREAKAWAY LBO 365 POST ASSEMBLY



TRIPLEX ENGINEERING LIMITED RESERVE THE RIGHT TO CHANGE THE SPECIFICATION WITHOUT PRIOR NOTICE