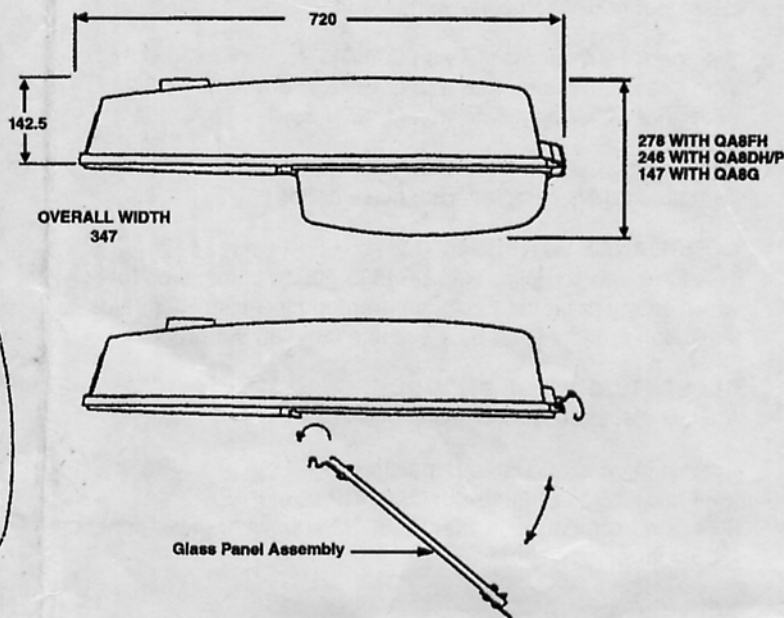
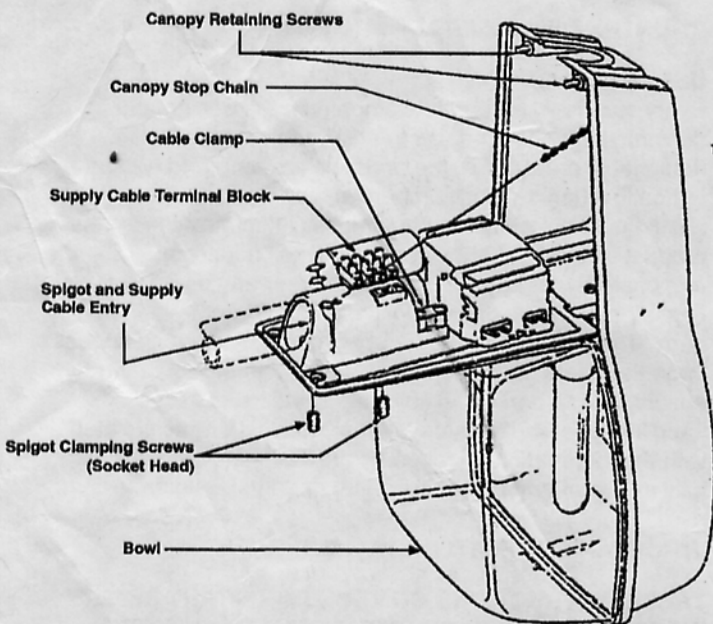


Installation and Wiring Instructions for Alpha Eight

AT12750-A



**PLEASE READ THESE INSTRUCTIONS CAREFULLY
BEFORE INSTALLATION OR LAMP REPLACEMENT.**

IMPORTANT

Disconnect supply before installing, servicing or maintaining luminaire. Installation should be carried out by a qualified electrician in accordance with the local wiring regulations. Ensure that the rated voltage range and frequency of the luminaire is compatible with the mains supply.

WARNING: These luminaires must be earthed!

OPERATING AND INSTALLATION INSTRUCTIONS:

Spigot entry suitable for 42 mm x 110 mm (1 1/4 in BSP)

Design attitude - spigot inclined 5°

Mounting height 8 to 15 metres

- 1) Take lantern and release the two canopy retaining screws and hinge open.
- 2) Take a length of suitable cable long enough to reach from the lantern to the mains cut out at bottom of column thread through spigot entry, through cable clamp and terminate in terminal block and earth connection. Tighten cable clamp – check rating and voltage on gear agrees with lamp to be fitted in (5) and with supply.
- 3) Refix canopy retaining screws.
- 4) At top of column or at wall bracket, feed cable down the bracket arm, offer spigot entry onto end of bracket arm, tighten screws on underside of spigot entry to 17 Nm torque.
- 5) Fit lamp.
- 6) Make sure the fixing rod is centralised on the canopy. Clip bowl or glass panel assembly onto hinge pin and secure with toggle assembly.
- 7) If photocell socket is fitted, remove temporary blanking cap and plug in photocell socket and twist to lock.

8) Terminate in cut out and test.

9) Caution. Do not use high voltage insulation testers with ignitors.

RANGE TABLE

LESS GEAR TYPES FOR USE WITH BOWLS
QA8H1250 250W SONXL-T

WITH GEAR TYPES FOR USE WITH BOWLS
QA8HNB1150.4 150W XONXL-T
QA8HPNB1150.4 As above plus photocell socket
QA8HNB1250.4 250W SONXL-T
QA8HPNB1250.4 As above plus photocell socket
QA8HNB1400.4 400W SONXL-T
QA8HB1250.4 250W MBF

WITH GEAR TYPES SUPPLIED COMPLETE WITH FLAT
GLASS PANEL ASSY

QA8GHNB1150.4 150W SONXL-T
QA8GHPNB1150.4 As above with photocell socket
QA8GHNB1250.4 250W SONXL-T
QA8GHPNB1250.4 As above with photocell socket

BOWL ASSEMBLIES

QA8DH LTI Bowl, acrylic 100, 150 & 250W
QA8DHP LTI Bowl, polycarbonate, 100, 150 & 250
QA8FH MTI Bowl, 400W only

SPARES/ACCESSORIES

QA8G Spare flat glass panel assembly
QA8PT Post top adaptor for 50 mm dia spigot
QA8PT76 Post top adaptor for 75mm dia spigot
GL1195 Lampholder
1278/S200 Toggle catch for use with bowls

**LANTERN WINDAGE AREA m2
LESS PHOTOCELL SOCKET**

Lantern complete with QA8DH/P bowl	0.126
Lantern complete with QA8FH bowl	0.137
Lantern complete with glass panel assy	0.090

**APPROX WEIGHTS (kg) LESS LAMP AND PHOTOCELL
SOCKET 240V GEAR**

Less gear 100/150W complete with QA8DH/P bowl	4.6
Less gear 250W complete with QA8DH/P bowl	4.6
Less gear 400W complete with QA8FH bowl	4.9

With gear 150W complete with QA8DH/P	6.9
With gear 250W complete with QA8DH/P bowl	8.2
With gear 400W complete with QA8FH bowl	11.1

With gear 150W complete with glass panel	7.6
With gear 250W complete with glass panel	8.9

COMPLIANCE WITH BS4533

This luminaire complies with BS4533 102.3. Luminaires for which safety approval has been granted by British Standards Institution are identified by a suitable label on the product.

CLASSIFICATION OF PRODUCT

Against electric shock: Class 1

Against ingress of dust and moisture:

IP64 lamp compartment with QA8DHP bowl

IP54 lamp compartment with QA8DH/FH bowl or glass panel

IP23 gear compartment

SERVICING

Switch off electrical supply before undertaking any service work or lamp replacement. Replace failed lamps promptly with lamps of the same type to avoid damage to luminaire components. If possible switch off luminaire until replacement is effected. Disposal of old lamps should be carried out in accordance with the instructions of the lamp manufacturer.

Allow luminaire to cool before opening for maintenance. Repairs should be carried out by a qualified electrician using THORN approved parts.

Cleaning should be carried out at regular intervals by wiping with a damp cloth (ensure luminaire is switched off).

CHANGE OF SPECIFICATION

THORN Lighting Ltd reserve the right to change specifications without prior notification or public announcement.

COUNTRY OF ORIGIN: United Kingdom

USERS OBLIGATIONS

Every care is taken by the Company in the design and construction of its products to ensure that as far as is reasonably practicable, the products are safe and without risk to health when they are properly used. These products should not be modified as any modification may render the product unsafe. THORN Lighting Ltd will not accept responsibility for any modified product or any damage caused as a result of modifications carried out by a third party. The Health and Safety at Work Act, however, imposes upon the users of the Company's products an obligation to ensure that all personnel involved in the installation, handling, use or disposal of these products are acquainted with the information provided by the Company and are made fully aware of any precautions that need to be taken.

IMPORTANT NOTE TO INSTALLER

THESE INSTRUCTIONS CONTAIN IMPORTANT SAFETY INFORMATION. PLEASE ENSURE THAT A COPY IS MADE AVAILABLE TO THE USER AND MAINTENANCE ENGINEER OF THESE PRODUCTS.

Unless these instructions are followed correctly THORN Lighting Ltd will NOT accept any responsibility for any injury, damage or loss which may arise as a result of incorrect installation.