

# INSTALLATION INSTRUCTIONS

## CONTEMPO™ POST TOP LUMINAIRE 245 SERIES

### ⚠ WARNING

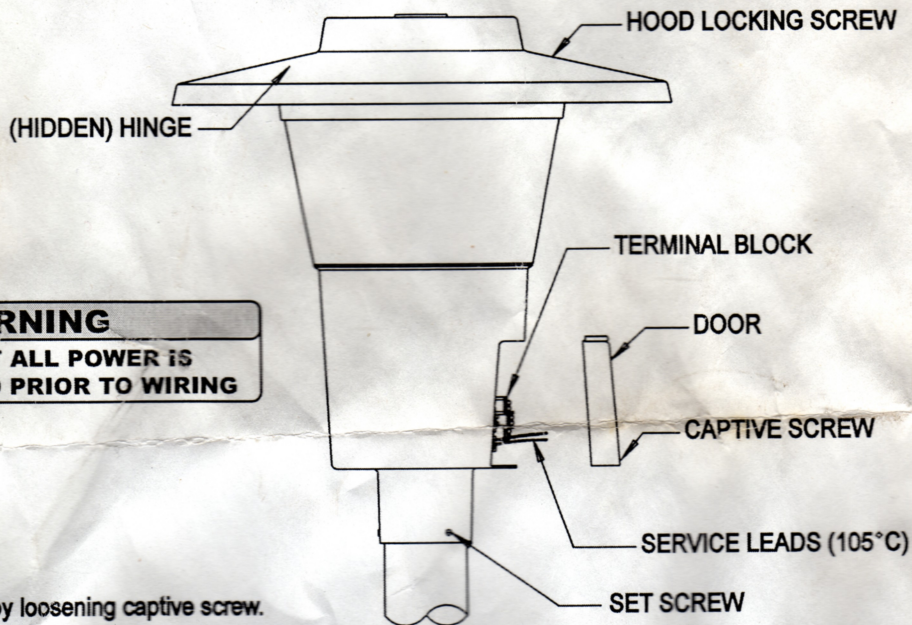
**DISCONNECT POWER BEFORE RELAMPING OR WIRING THE FIXTURE.  
HOUSING MUST BE GROUNDED TO REDUCE POTENTIAL OF ELECTRICAL SHOCK  
READ ALL INSTRUCTIONS COMPLETELY BEFORE STARTING INSTALLATION**

### ⚠ WARNING

**RISK OF FIRE. PRODUCT FOR OUTDOOR INSTALLATION AND USE ONLY.**

### ⚠ CAUTION

**TO AVOID THE RISK OF FIRE OR SHOCK, FIXTURE MUST BE INSTALLED IN COMPLIANCE WITH ALL APPLICABLE NATIONAL AND LOCAL ELECTRICAL/BUILDING CODES. FOR CODE INTERPRETATION, CONSULT LOCAL CODE AUTHORITY**



### ⚠ WARNING

**ENSURE THAT ALL POWER IS DISCONNECTED PRIOR TO WIRING**

1. Remove access door by loosening captive screw.
2. Pull service leads through base assembly and out access door opening as shown. Place luminaire on 2-3/8" O.D. to 3-1/8" O.D. pole and secure with three set screws.
3. Connect service leads to terminal block. (Refer to wiring diagram on inside of access door.)
4. Replace access door and secure with captive screw.
5. Install lamp into socket.
6. Install hood onto base assembly by inserting hinge bar of base into hinge bracket on under side of hood. Swing hood over and into place.
7. Fasten hood locking screw.
8. For units with photoelectric receptacles, Lift and rotate the receptacle so that the arrow on the top points North. Release the receptacle. Plug the photocontrol into the receptacle and twist it clockwise until it locks into position
9. Restore power to fixture.

**MAINTENANCE:** Clean fixture with mild soap or household type detergent. Do not use acid or caustic cleaners.

**IF LAMP IS MARKED (Hg) IT CONTAINS MERCURY. FOLLOW DISPOSAL LAWS. SEE WWW.LAMPRECYCLE.ORG**

**AEL** American  
Electric  
Lighting

An Acuity Brands Company

©2007 ACUITY LIGHTING GROUP, INC.

PART NUMBER 058-71-45303