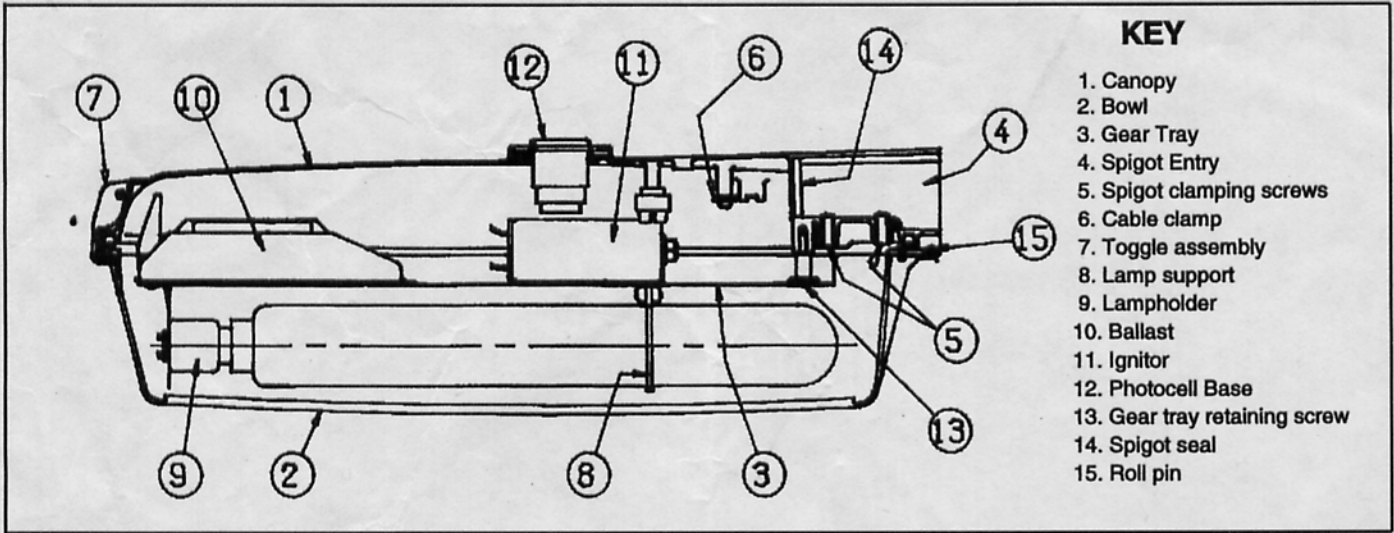


## Installation and Wiring Instructions for Beta Two

AT10348-D



### KEY

1. Canopy
2. Bowl
3. Gear Tray
4. Spigot Entry
5. Spigot clamping screws
6. Cable clamp
7. Toggle assembly
8. Lamp support
9. Lampholder
10. Ballast
11. Ignitor
12. Photocell Base
13. Gear tray retaining screw
14. Spigot seal
15. Roll pin

### PLEASE READ THESE INSTRUCTIONS CAREFULLY BEFORE INSTALLATION OR LAMP REPLACEMENT

#### IMPORTANT

Disconnect supply before installing, servicing or maintaining luminaire. Installation should be carried out by a qualified electrician in accordance with the local wiring regulations. Ensure that the rated voltage range is compatible with the mains supply.

#### WARNING: THESE LUMINAIRES MUST BE EARTHED.

#### OPERATING AND INSTALLATION INSTRUCTIONS.

Spigot entry suitable for 34mm x 95mm (1inch B.S.P.). End of spigot to be true and smooth to effect IP seal.  
Design attitude - spigot inclined 5°.  
Mounting height - 5 to 6 metres.

1. Slacken the two hexagon socket spigot clamping screws.
2. Unscrew the single gear tray retaining screw and hinge down gear tray.
3. Pass mains cable through central hole in spigot seal into fitting and locate spigot entry onto side entry bracket arm. Tighten spigot clamping screws to 10Nm torque, whilst applying a positive pressure pushing lantern spigot seal onto bracket arm to ensure a satisfactory seal.
4. Pass mains cable through cable clamp and tighten to grip cable in position.
5. Connect supply leads to appropriate terminals on terminal block.
6. Close up gear tray and secure firmly with fixing screw.
7. Pass lamp through lamp support wire and insert into lampholder.
8. Clip bowl onto hinge pin and secure with toggle assembly.
9. Where photocell socket is fitted, remove temporary cap from socket, insert and twist photocell unit.

#### RANGE TABLE

Cat. No.	Description
QB21055	Side entry canopy for use with 55W SOX lamp. Less gear. Use QB2M bowl.
QB2B1055.4A	Side entry canopy c/w 55W SOX gear. Use QB2M bowl.
QB2PB1055.4A	As QB2B1055.4A plus photocell socket. Use QB2M bowl.
QB2M	Bowl assembly.
OK55	One box containing one QB2PB1055.4A, QB2M, 55W SOX lamp, photocell unit and corner/wall bracket.

**PLEASE NOTE** Bowl canopy and lamp should be ordered separately, apart from OK35 version.

#### WINDAGE AND WEIGHT

Cat. No	Windage (m <sup>2</sup> )	Weight (kg)
less lamp		
QB21055 + QB2M	0.081	2.14
QB2B1055.4A + QB2M	0.081	3.35
55W SOX Lamp		0.32

#### COMPLIANCE WITH BS4533.

This luminaire complies with BS4533 102.3.

Luminaires for which safety approval has been granted by British Standards Institution are identified by a suitable label on the product.

#### CLASSIFICATION OF PROTECTION.

Against electric shock: Class 1.

Against ingress of dust and moisture:

IP65	QB21055
	QB2B1055.4A
IP54	QB2PB1055.4A
	OK55

#### SERVICING

Switch off electrical supply before undertaking any service work or lamp replacement. Replace failed lamps promptly with lamps of the same type to avoid damage to luminaire components. If possible switch off luminaire until replacement is effected. Disposal of old lamps should be carried out in accordance with the instructions of the lamp manufacturer. Allow luminaire to cool before opening for maintenance. Repairs should be carried out by a qualified electrician using THORN approved parts. Cleaning should be carried out at regular intervals by wiping with a damp cloth. (ensure luminaire is switched off)

#### CHANGE OF SPECIFICATION

THORN Lighting Ltd. reserve the right to change specifications without prior notification or public announcement.

**COUNTRY OF ORIGIN** United Kingdom

#### USERS OBLIGATIONS

Every care is taken by the company in the design and construction of its products to ensure that as far as is reasonably practicable, the products are safe and without risk to health when they are properly used. These products should not be modified as any modification may render the product unsafe. THORN Lighting Ltd will NOT accept responsibility for any modified product or any damage caused as a result of modifications carried out by a third party. The Health and Safety at Work Act, however, imposes upon the users of the Company's products an obligation to ensure that all personnel involved in the installation, handling, use or disposal of these products are acquainted with the information provided by the company and are made fully aware of any precautions that need to be taken.

#### IMPORTANT NOTE TO INSTALLER

**THESE INSTRUCTIONS CONTAIN IMPORTANT SAFETY INFORMATION. PLEASE ENSURE THAT A COPY IS MADE AVAILABLE TO THE USER AND MAINTENANCE ENGINEER OF THESE PRODUCTS.**

Unless these instructions are followed correctly THORN Lighting Ltd will NOT accept any responsibility for any injury, damage or loss which may arise as a result of incorrect installation.