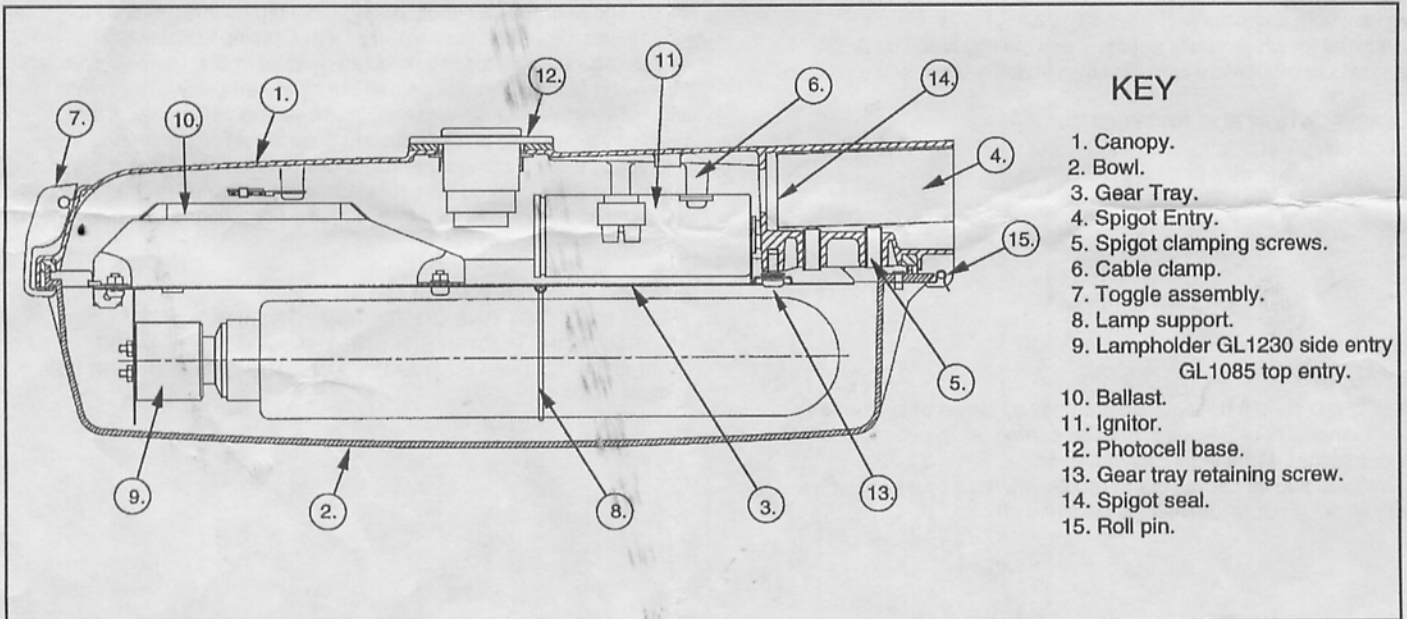


Installation and Wiring Instructions for Beta Five.



AT12188-D



KEY

1. Canopy.
2. Bowl.
3. Gear Tray.
4. Spigot Entry.
5. Spigot clamping screws.
6. Cable clamp.
7. Toggle assembly.
8. Lamp support.
9. Lampholder GL1230 side entry
GL1085 top entry.
10. Ballast.
11. Ignitor.
12. Photocell base.
13. Gear tray retaining screw.
14. Spigot seal.
15. Roll pin.

PLEASE READ THESE INSTRUCTIONS CAREFULLY BEFORE INSTALLATION OR LAMP REPLACEMENT.

IMPORTANT

Disconnect supply before installing, servicing or maintaining luminaire. Installation should be carried out by a qualified electrician in accordance with the local wiring regulations. Ensure that the rated voltage range and frequency of the luminaire is compatible with the mains supply.

WARNING : These luminaires must be earthed!

OPERATING AND INSTALLATION INSTRUCTIONS FOR :-

A) SIDE ENTRY VERSIONS.

Spigot entry suitable for 34mm x 80mm (1 inch B.S.P.). End of spigot to be true and smooth to effect IP seal.
Design attitude - spigot inclined 5°.
Mounting height - 4 to 6 metres.

1. Slacken the two hexagon socket spigot clamping screws.
2. Unscrew the single gear tray retaining screw and hinge down gear tray.
3. Pass mains cable through central hole in spigot seal into fitting and locate spigot entry onto side entry bracket arm. Tighten spigot clamping screws to 10Nm torque, whilst applying a positive pressure pushing lantern spigot seal onto bracket arm to ensure a satisfactory seal.
4. Pass mains cable through cable clamp and tighten to grip cable in position.
5. Connect supply leads to appropriate terminals on terminal block.
6. Close up gear tray and secure firmly with fixing screw.
7. Pass lamp through lamp support wire and insert into lampholder.
8. Clip bowl onto hinge pin and secure with toggle assembly.
9. Where photocell socket is fitted, remove temporary cap from socket, insert and twist photocell unit.

B) TOP ENTRY VERSIONS.

Spigot entry suitable for 3/4 inch B.S.P. thread x 38mm long maximum.
Design attitude - horizontal (on vertical threaded bracket).
Mounting height - 4 to 6 metres.

1. Slacken the socket head locking screw.
2. Coat threaded portion of column nipple with Zinc Chromate base paint.

3. Release gear tray and hinge down to give access to cable entry.
4. Pass mains supply cable into fitting and screw canopy onto column spigot up to required position. Tighten locking screw. (For correct operating position, toggle assembly should be on the Road-side).
5. Pass mains supply leads through cable clamp and tighten to grip in position.
6. Connect supply leads to the appropriate terminals on the terminal block and earth boss.
7. Close up gear tray and secure firmly with fixing screw.
8. Pass lamp through the lamp support wire and insert into lampholder.
9. Clip bowl onto roll pin and secure with toggle assembly.
10. Where photocell socket is fitted, remove temporary cap from socket, insert and twist photocell unit.

RANGE TABLE

Cat No.	Description
SIDE ENTRY	
QB51035	Side entry canopy for use with 18 and 35w SOX lamps. Less gear. Use QB5A bowl.
QB5B1035.4	Side entry canopy c/w 35w SOX gear. Use QB5A bowl.
QB5PB1035.4	As QB5B1035.4 Plus photocell socket. Use QB5A bowl.
QB5A	Shallow bowl assembly.
OK35	One box containing one QB5PB1035.4, QB5A, 35W SOX lamp, photocell unit and corner/wall bracket.
TOP ENTRY	
QB5 3/4inTB1035.4A	Top entry canopy c/w 35w SOX gear. Use QB5V bowl.
QB5 3/4inTPB1035.4A	As QB53/4inTB1035.4A plus photocell socket. Use QB5V bowl.
QB5V	Deep bowl for use on top entry and older versions of 35w SOX, 50 and 70w SON Beta 5 luminaires.

PLEASE NOTE

Bowl and canopy should be ordered separately, apart from OK35 version.

WINDAGE AND WEIGHT

Cat No.	Windage (m ²)	Weight (kg) less lamps
QB51035 + QB5A	0.053	1.41
QB5B1035.4 + QB5A	0.053	2.58
QB5 $\frac{3}{4}$ inTB1035.4A + QB5V	0.075	3.38
35W SOX-lamp		0.25

COMPLIANCE WITH BS4533.

This luminaire complies with BS4533 102.3. Luminaires for which safety approval has been granted by British Standards Institution are identified by a suitable label on the product.

CLASSIFICATION FOR PROTECTION.

Against electric shock:	Class 1.
Against ingress of dust or moisture:	
IP65	QB51035 QB5B1035.4
IP54	QB5PB1035.4 QB5 $\frac{3}{4}$ inTPB1035.4 QB5 $\frac{3}{4}$ inTB1035.4A OK35

SERVICING

Failed lamps should be replaced promptly by lamps of the same type. Disposal of old lamps should be carried out in accordance with the instructions of the lamp manufacturer.

Cleaning should be carried out at regular intervals by wiping with a damp cloth. (Ensure luminaire is switched off).

CHANGE OF SPECIFICATION

THORN Lighting Ltd. reserve the right to change specifications without prior notification or public announcement.

COUNTRY OF ORIGIN United Kingdom

USERS OBLIGATIONS

Every care is taken by the company in the design and construction of its products to ensure that as far as is reasonably practicable, the products are safe and without risk to health when they are properly used. These products should not be modified as any modification may render the product unsafe. THORN Lighting Ltd. will NOT accept responsibility for any modified product or any damage caused as a result of modifications carried out by a third party. The Health and Safety at Work Act, however, imposes upon the users of the Company's products an obligation to ensure that all personnel involved in the installation, handling, use or disposal of these products are acquainted with the information provided by the company and are made fully aware of any precautions that need to be taken.

IMPORTANT NOTE TO INSTALLER

THESE INSTRUCTIONS CONTAIN IMPORTANT SAFETY INFORMATION. PLEASE ENSURE THAT A COPY IS MADE AVAILABLE TO THE USER AND MAINTENANCE ENGINEER OF THESE PRODUCTS.