



FIXGS 104 post top mounting



FIXGS 104 side entry mounting

F/XGS 104

Economical, general-purpose, service-friendly fluorescent road lighting luminaires. Low energy and maintenance costs. Vandal-resistant.

Main applications

- Industrial areas
- Residential areas
- Secondary roads
- Local roads

Features

- Flexible mounting capability, with side entry mounting on 42-60 mm spigots or top mounting on 60 mm spigots; special version for top mounting on 76 mm spigots.
- UV-resistant polycarbonate refractor bowl for optimum lighting performance.
- Choice of SOX-E 36W, SOX 55W or PL-L 36W lamps.
- Model with NEMA socket for photocell switching available, on request, for unattended lighting control.

- High-strength, completely sealed construction resistant to weather and impact, for long service life and low repair and maintenance costs.
- Easy installation. Hinged bowl with quick-release clips allows swift, safe maintenance. Easily-removed gear tray.

Materials and finish

Canopy in white, glass-fibre reinforced, UV-stabilized polyester; polycarbonate bowl with stainless-steel clips; mounting module in non-corrosive, diecast aluminium; white lacquered gear plate.

Installation and mounting

Fix to 42-60 mm side entry spigot or 60 mm top mounting spigot. Dustproof and jetproof to IP 65. No internal cleaning required.

Accessories

Wall-mounting bracket available.



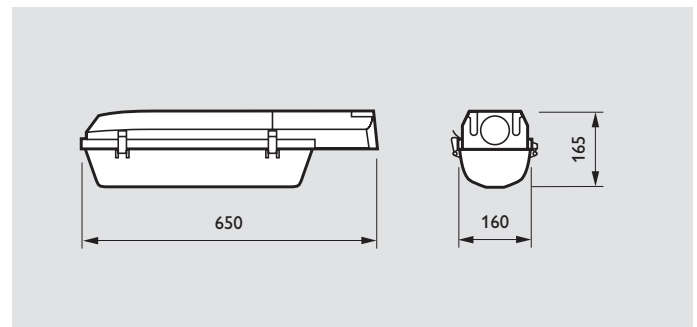
Type	Lamp	Weight (kg)	Ordering number
XGS 104/036G HF	SOX-E 36W	3.9	9104 001 33514
XGS 104/036G	SOX-E 36W	5.1	9104 001 22314
XGS 104/055G HF	SOX 55W	3.9	9104 001 45014
XGS 104/055G	SOX 55W	5.1	9104 001 22414
FGS 104/036G	PL-L/4P 36W	3.7	9104 001 22514
FGS 104/036 HF	PL-L/4P 36W	3.7	9104 001 22714
XGS 104/036G-76	SOX-E 36W	5.1	9104 001 22814
XGS 104/055G-76	SOX 55W	5.1	9104 001 22914
FGS 104/036G-76	PL-L/4P 36W	3.7	9104 001 23014
FGS 104/036 HF-76	PL-L/4P 36W	3.7	9104 001 23214

'-76' = post top mounting version for 76 mm OD.

"All 'G' units are equipped with 230V/50Hz control gear; the 'HF' electronics versions are suitable for 230-240V/50Hz. Other voltages are available on request."

Kombipacks for wall-mounting (with/without photocell) are available on request

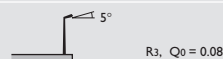
Dimensions in mm



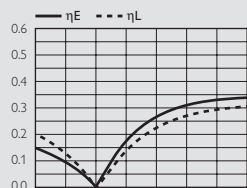
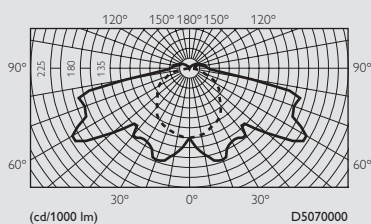
XGS 104/055

	I80	I90
C0	98.0	29.0
C15	91.0	29.0

L.O.R. = 0.71



R3, Q0 = 0.08



1 x SOX 55W

1 x 7,800 lm



H	S	E _H	U _o	SR	Ī	U _o	UI	TI	Ī	U _o	UI	TI	Ī	U _o	UI	TI
(m)	(m)	(Lux)			(cd/m ²)		(%)	(%)	(cd/m ²)		(%)	(%)	(cd/m ²)		(%)	(%)
8	24	9	0.57	0.59	0.8	0.34	0.75	7.0	0.7	0.35	0.75	11.5	0.8	0.71	0.66	10.5
8	28	8	0.51	0.59	0.7	0.35	0.76	7.2	0.6	0.37	0.76	12.1	0.7	0.58	0.51	11.0
8	32	7	0.49	0.59	0.6	0.37	0.72	7.6	0.6	0.38	0.72	12.7	0.6	0.52	0.46	11.3
8	36	6	0.40	0.59	0.5	0.37	0.69	8.0	0.5	0.37	0.69	13.3	0.5	0.49	0.40	11.8
8	40	5	0.36	0.59	0.5	0.37	0.58	8.4	0.4	0.37	0.58	14.1	0.5	0.44	0.37	12.4