



With flat glass



Side-entry mounting

Type	Lamp	Weight kg	Ordering number
<b>Luminaire with lampholder without gear</b>			
SGS 204/T-E40	SON(-T PLUS) 250W or HPL 250W	8.1	9111 179 90618
<b>Luminaire with gear</b>			
HGS 204	HPL 250W	10.1	9111 632 34818
SGS 204	SON-T PLUS 250W	10.8	9111 172 31318
<b>Mounting brackets</b>			
ZGP 34 (34 mm)		0.3	9191 131 22881
ZGP 42-48 (42-48 mm)		0.3	9119 114 00518
ZGP 60 (60 mm)		0.3	9119 114 00618
ZGP 76 (76 mm post top)		0.5	9119 114 00718

All units are equipped with 230V/50Hz gear. Other voltages, frequencies, versions with NEMA socket, dimming gear and/or self-stopping ignitors are available on request

## H/SGS 204

Modular road lighting luminaires in contemporary style. Quality lighting for safe and comfortable driving, with low energy and maintenance costs.

### Main applications

- Car parks
- Motorways
- Major roads
- Industrial areas
- Roundabouts

### Features

- Dedicated optics optimize beam control and maximize light output. Light distribution designed to take full advantage of the luminance design system.
- Flexible mounting capability, with side entry or top mounting on mast arms with 34-60 mm spigots, or mast tops with 76 mm spigots.
- Choice of vandal- and UV-resistant polycarbonate bowl or minimal-glare flat glass.
- The hinged bowl allows lamp replacement from below; thus reducing the required lifting range of the platform truck.
- Choice of HPL-N, SON or SON-T PLUS lamps from 250W.
- Self-stopping ignitor, photocell switching or half-night switching available on request for unattended lighting control.
- High-strength construction resistant to weather and impact, for long service life. Class II insulation provides extra safety (Class I on request).
- Fast, easy installation and maintenance due to hinged housing and bowl with single quick-release stainless steel clip. Gear tray plugs in to allow fast replacement.
- Models available with gear and with lampholder without gear.

### Materials and finish

Frame in non-corrosive diecast aluminium; canopy in neutral grey glass-fibre reinforced UV-stabilized polyester; polycarbonate bowl or toughened flat glass; reflector in high-purity aluminium.

### Installation and mounting





Fix to any side entry spigot from 42 to 60 mm, or mast top spigot of 76 mm.

When the luminaire is mounted at 0° side entry the bowl/flat glass will have a -2.5° inclination.

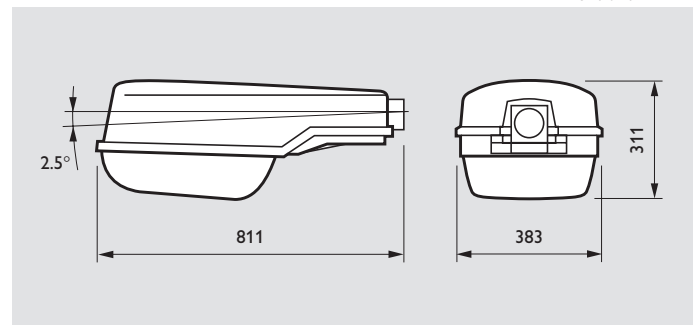
Dustproof and waterproof to IP 54 (lamp compartment), IP 43 (gear compartment). No internal cleaning required.

### Accessories

Dual-purpose mounting brackets.

lamp compartment	
luminaire	
gear compartment	
(on request)	

Dimensions in mm



**HGS 204/250** L.O.R. = 0.75

	180	190		
C <sub>0</sub>	42.0	6.0		
C <sub>15</sub>	80.0	5.0		

120° 150° 180° 150° 120°  
90° 60° 30° 0° 30° 60° 90°

(cd/1000 lm) LVW4838

**1 x HPL-N 250W** 1 x 12.700 lm

5°  
9 m

H	S	$\bar{E}_H$	U <sub>0</sub>	SR	$\bar{L}$	U <sub>0</sub>	UI	TI	$\bar{L}$	U <sub>0</sub>	UI	TI	$\bar{L}$	U <sub>0</sub>	UI	TI
(m)	(m)	(lux)			(cd/m <sup>2</sup> )		(%)	(%)	(cd/m <sup>2</sup> )		(%)	(%)	(cd/m <sup>2</sup> )		(%)	(%)
10	30	16	0.56	0.50	1.1	0.44	0.83	4.8	1.1	0.45	0.86	6.6	1.1	0.56	0.62	5.5
10	35	14	0.47	0.50	1.0	0.45	0.70	5.1	0.9	0.46	0.71	7.0	1.0	0.52	0.50	5.8
10	40	12	0.37	0.50	0.9	0.45	0.60	5.4	0.8	0.45	0.61	7.3	0.9	0.46	0.40	6.1
10	45	11	0.29	0.50	0.8	0.41	0.50	5.7	0.7	0.42	0.53	7.7	0.8	0.40	0.33	6.3
10	50	10	0.22	0.50	0.7	0.38	0.41	5.9	0.7	0.37	0.43	8.0	0.7	0.32	0.25	6.7

**SGS 204/250T B** L.O.R. = 0.84

	180	190		
C <sub>0</sub>	43.0	2.0		
C <sub>15</sub>	57.0	1.0		

120° 150° 180° 150° 120°  
90° 60° 30° 0° 30° 60° 90°

(cd/1000 lm) MIR43610

**1 x SON-T PLUS 250W** 1 x 32.000 lm

5°  
12 m

H	S	$\bar{E}_H$	U <sub>0</sub>	SR	$\bar{L}$	U <sub>0</sub>	UI	TI	$\bar{L}$	U <sub>0</sub>	UI	TI	$\bar{L}$	U <sub>0</sub>	UI	TI
(m)	(m)	(lux)			(cd/m <sup>2</sup> )		(%)	(%)	(cd/m <sup>2</sup> )		(%)	(%)	(cd/m <sup>2</sup> )		(%)	(%)
12	36	34	0.47	0.43	2.6	0.41	0.82	5.6	2.4	0.43	0.82	8.9	2.5	0.46	0.58	5.9
12	42	29	0.40	0.43	2.3	0.41	0.80	6.1	2.0	0.43	0.80	9.5	2.2	0.42	0.48	6.4
12	48	26	0.36	0.43	2.0	0.40	0.71	6.4	1.8	0.41	0.71	10.3	1.9	0.37	0.40	6.7
12	54	23	0.32	0.43	1.8	0.38	0.60	6.9	1.6	0.39	0.60	11.1	1.7	0.35	0.37	7.2
12	60	21	0.27	0.43	1.6	0.38	0.55	7.4	1.5	0.39	0.55	11.9	1.5	0.32	0.31	7.8

