

IRIDIUM SGS 252/ 452

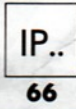
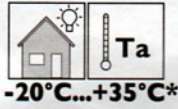
Mounting instructions

Instructions de montage
Montageanleitung
Montage instructie
Istruzioni di montaggio

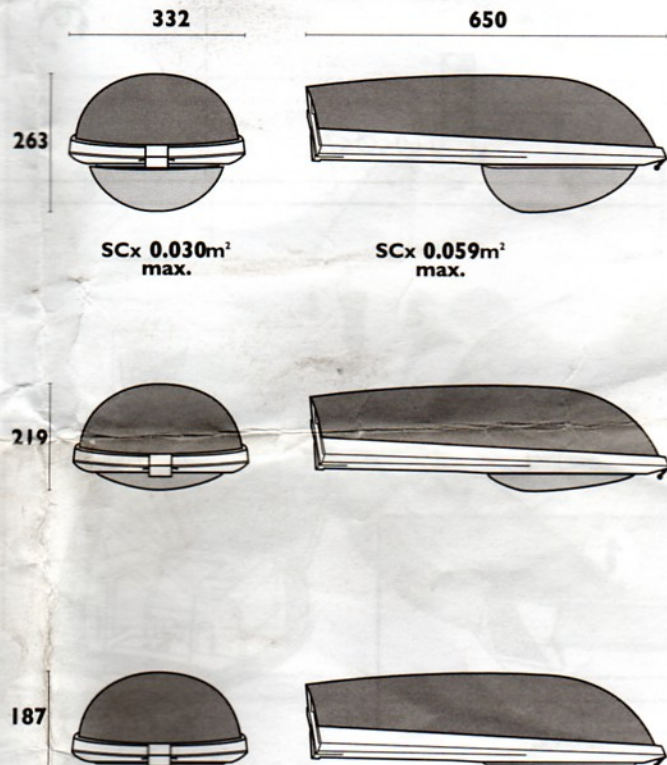
Instrucciones de montaje
Instruções de montagem
Monteringsinstruktioner
Monteringsvejledning

Kokoonpano- ja kiinnitysohjeet
Montaj yönergesi
Οδηγίες συναρμολόγησης
Instrukcja montazu

Szerelési utasítások
Návod k montázi
ΒΨΧΝΗΕΡΩΒΖ ΓΦ ΠΦΨΝΦ:Ε
Návod k montazi



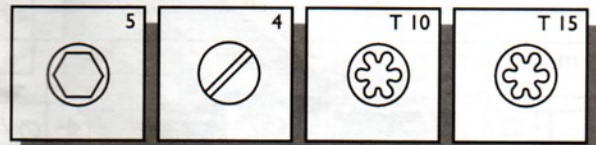
	W			kg max	EB + CONV
HPL	50	●	●	8,3	
	50/80	●	●	8,3	
	80	●	●	8,3	
	80/125	●	●	8,4	
	125	●	●	8,4	
SON-I	50	●	●	8,3	
	50/70	●	●	8,3	
	70	●	●	8,3	
SON-E/T	50	●	●	8,5	
	50/70	●	●	8,7	
	70	●	●	8,5	●
	70/100	●	●	8,7	
	100	●	●	8,7	●
CDMT	35	●	●	8,1	
	70	●	●	8,3	●
	150	●	●	7,5	EB
CDMTT/ET	70	●	●	8,5	●
CDMT	100	●	●	8,7	●
PLT	32	●	●	7	EB
	42	●	●	7	EB



SGS452...ALU=+1.2kg

* SON-E/T 70/100 & 100 ≠ EB Ta -20°C ... +25°C

* EB Ta -15°C ... +25°C

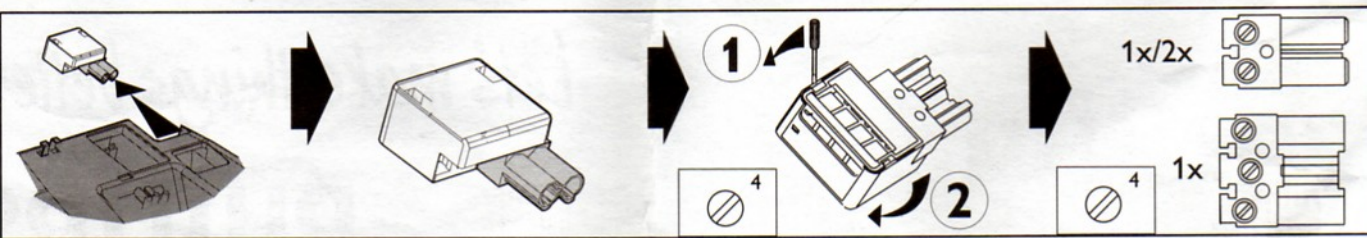
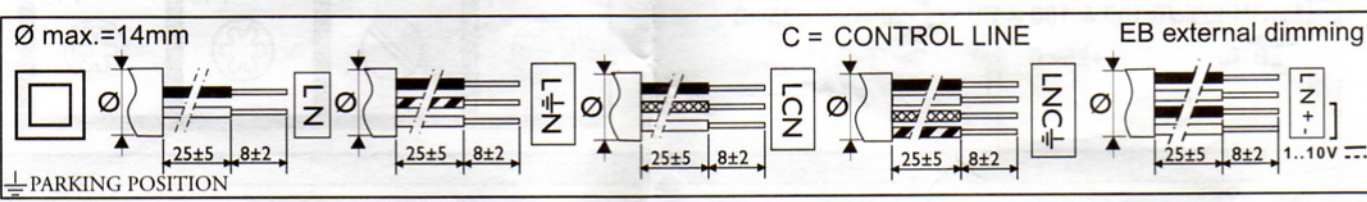
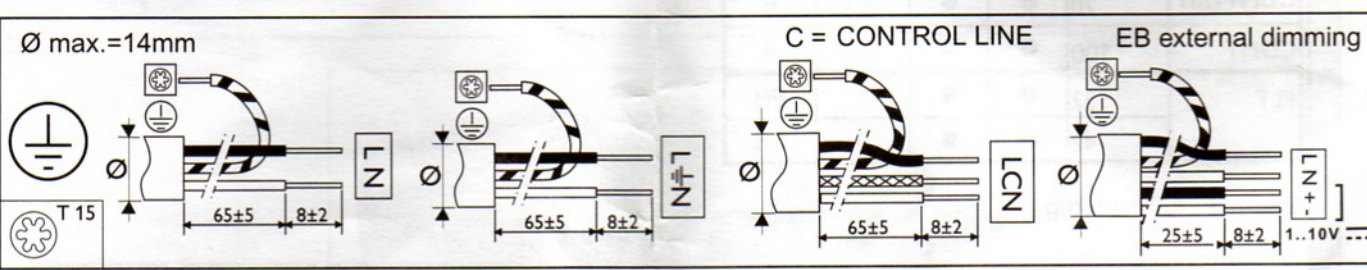
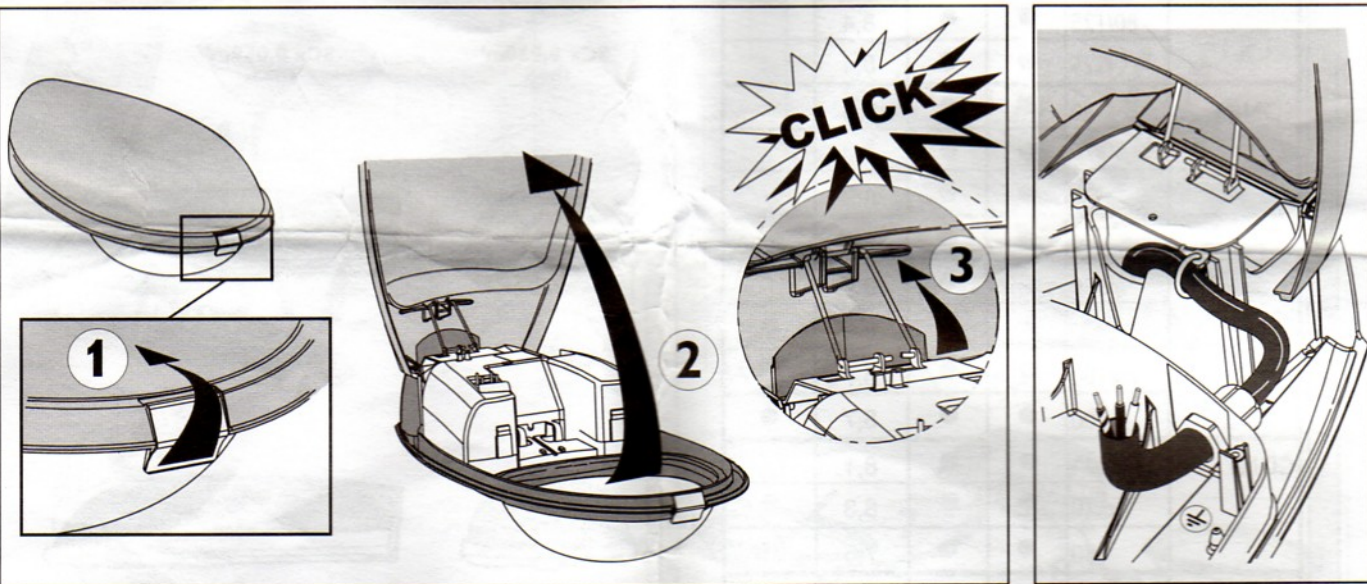
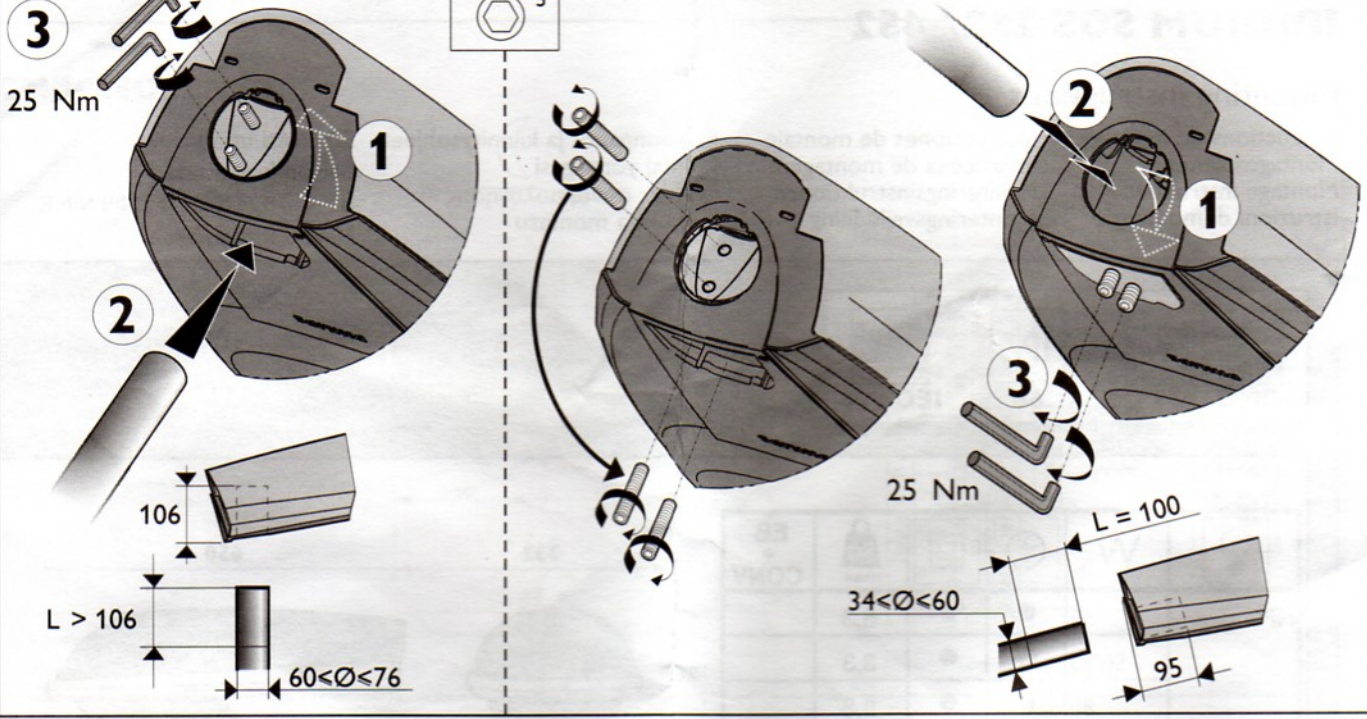


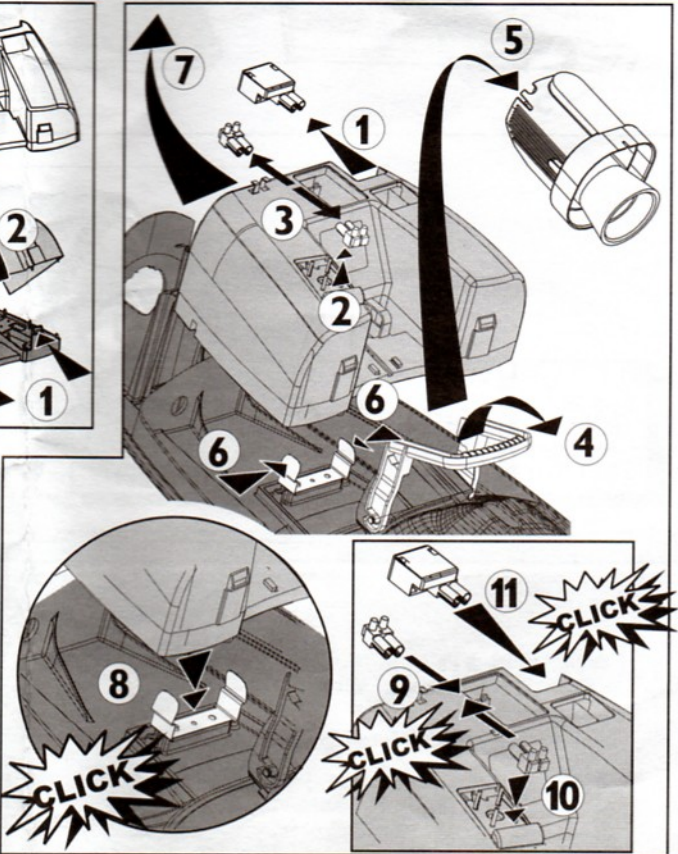
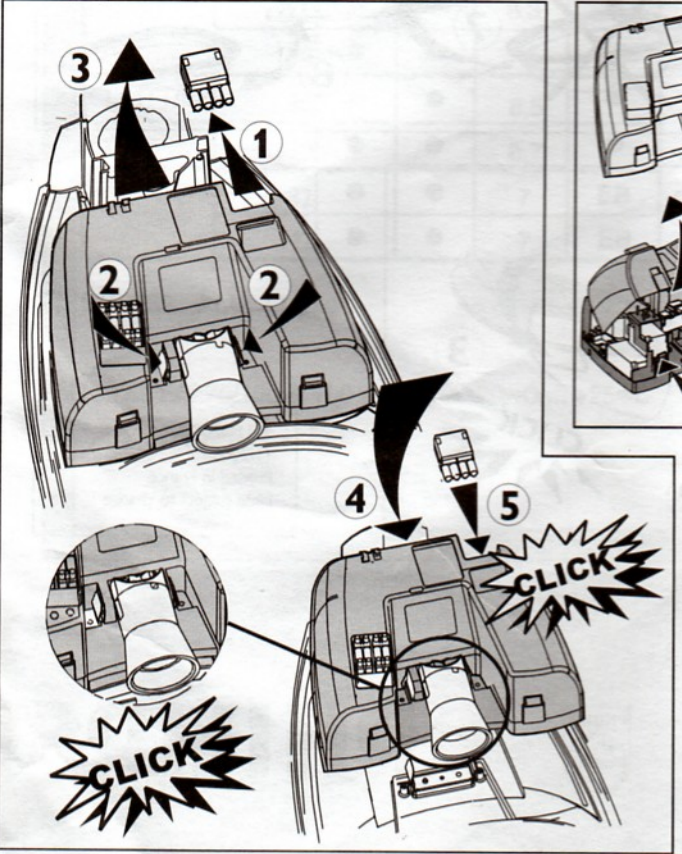
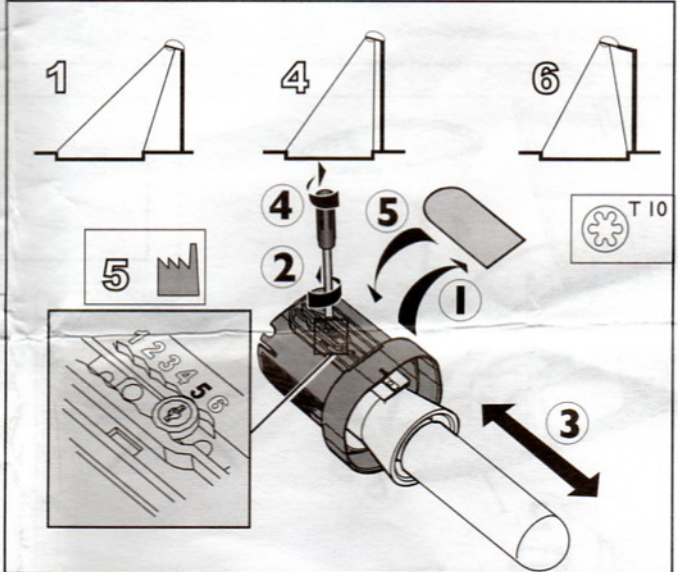
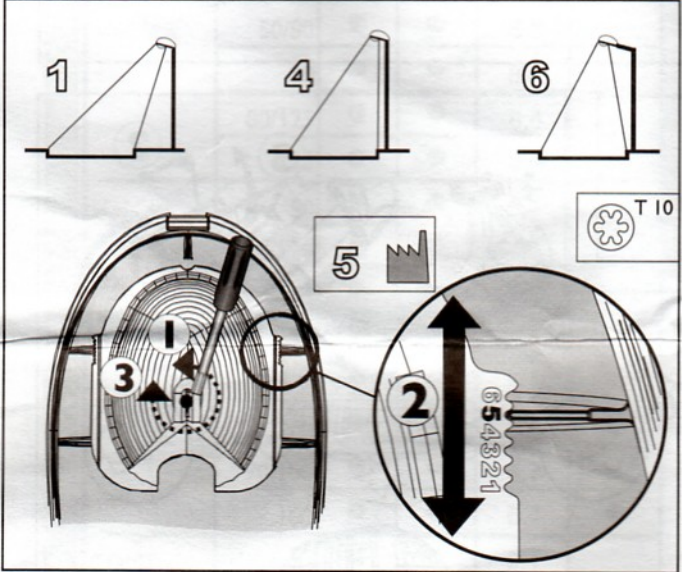
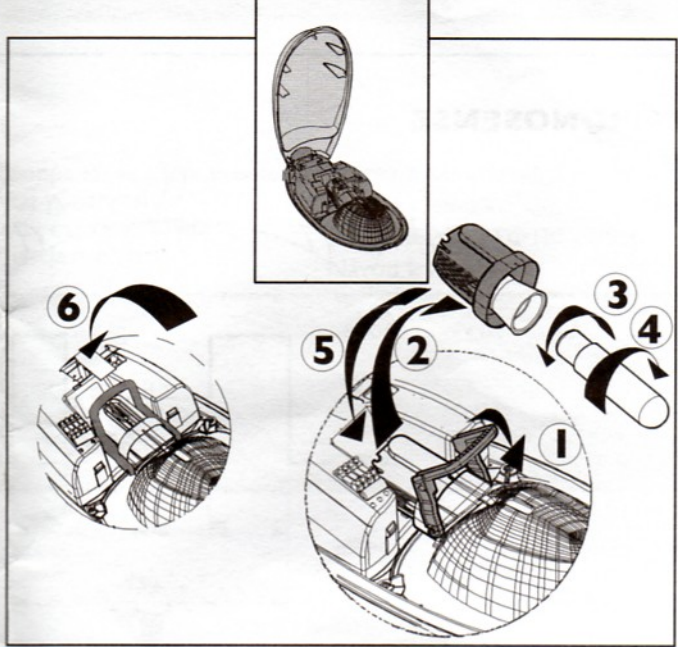
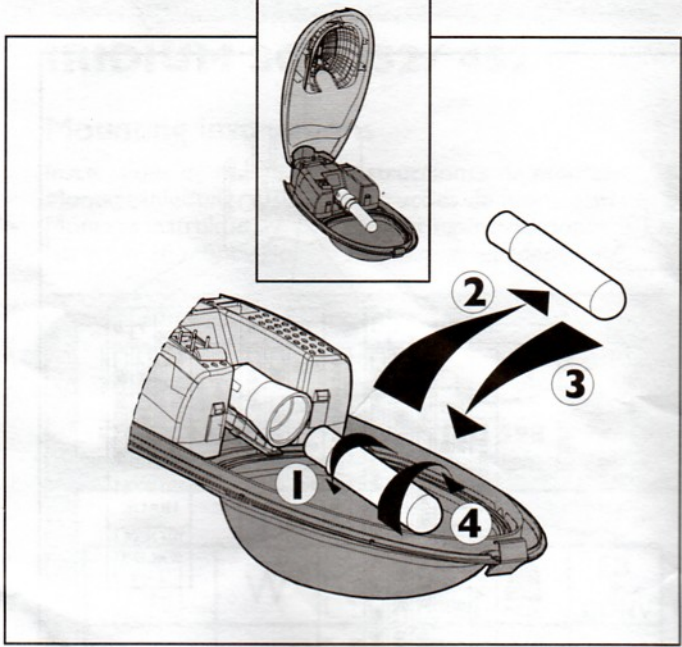
Let's make things better.

Philips
Lighting

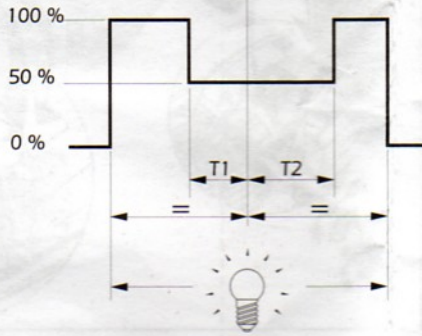


PHILIPS

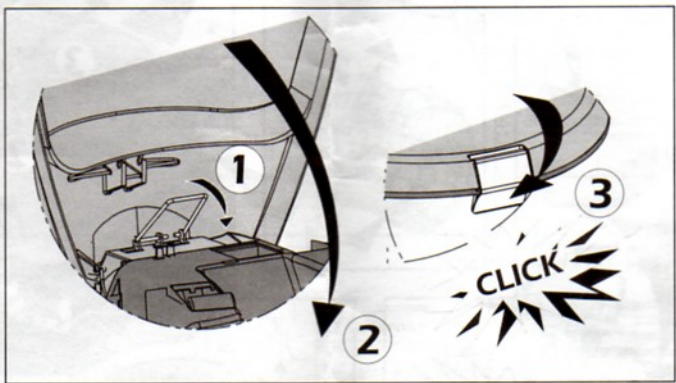
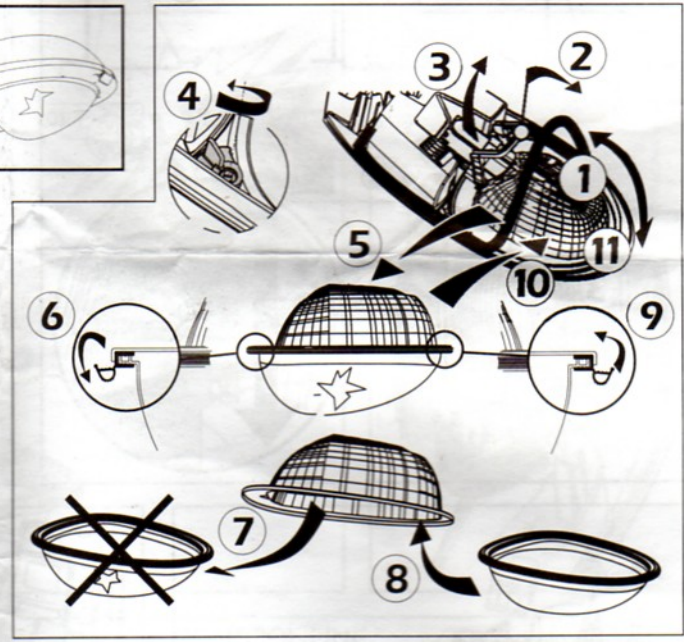
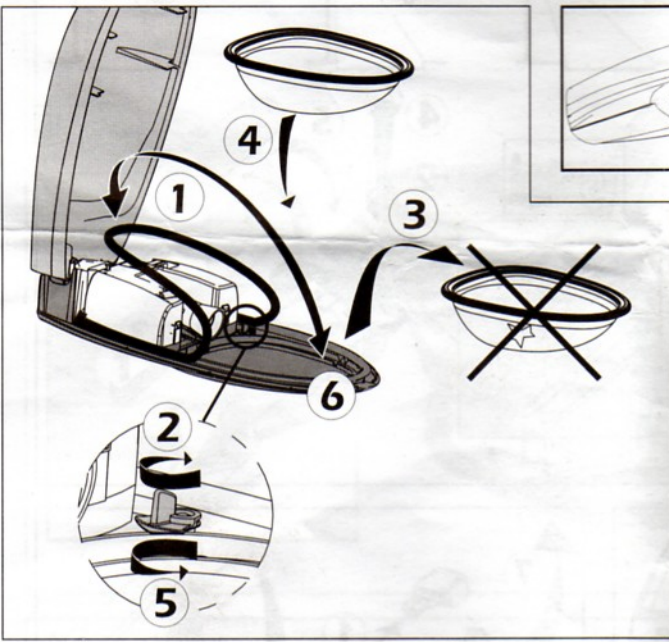




CHRONOSENSE



T1			T2		TEST MODE	
1	2	3	4	5	7	8
3H30	3H00	2H30	5H30	5H00	OFF	1
2H00	1H30	1H00	4H30	4H00	TEST MODE 1	2
0H30	0H00				1 H = 1 mn	
					TEST MODE 2	
					60 sec. 100%	



4411 370 30504
11/2003
Printed in France
Data subject to change



PHILIPS