



SRS 201

Sturdy, economical, slender road lighting luminaires for low-pressure sodium lamps. Low energy costs.

Main applications

- Motorways
- Major roads
- Secondary roads
- Local roads
- Roundabouts

Features

- Three different luminaire sizes, all with UV-resistant methacrylate refractor bowl for optimal light distribution conforming to CIE regulations.
- Choice of one SOX 55 up to 180W lamp, or one SOX-E 36 up to 131W lamp to suit different road situations.
- Lightweight, high-strength, completely sealed construction resistant to weather and impact, for long service life and low repair and maintenance costs.

- Special versions with extremely efficient high frequency gear for SOX-E 36 to 91 and SOX-35-55W.
- The slender line of the luminaires results a low wind resistance.
- Easy installation and maintenance due to hinged bowl with quick-release clips and easily-removable gear tray.

Materials and finish

Housing in white, glass-fibre reinforced, UV-stabilized, air-pollution resistant polyester; methacrylate bowl.

Installation and mounting

Fix to 60 mm side entry spigot. Dustproof and jetproof to IP 65. No internal cleaning required.

Accessories

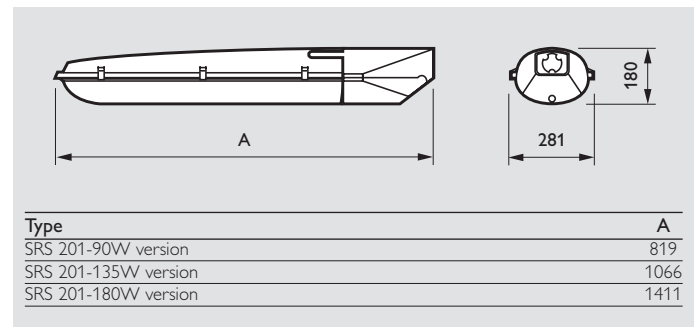
Photocell.



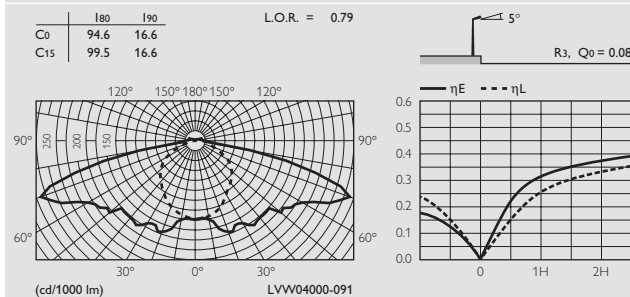
Type	Lamp	Weight kg	Ordering number
Luminaires without gear			
SRS 201/036-066	SOX-E 36, SOX-E 66W, SOX 55W or SOX 90W	6.1	9111 179 90014
SRS 201/091	SOX-E 91W or SOX 135W	7.5	9111 176 40414
SRS 201/131	SOX-E 131 or SOX 180W	9.4	9111 176 50314
Luminaires with gear			
SRS 201/036G	SOX-E 36W	9.5	9111 171 20014
SRS 201/055G	SOX 55W	9.5	9111 175 70414
SRS 201/066G	SOX-E 66W	11.0	9111 171 30014
SRS 201/090G	SOX 90W	11.0	9111 175 80814
SRS 201/091G	SOX-E 91W	13.0	9111 175 80914
SRS 201/135G	SOX 135W	13.0	9111 176 40614
SRS 201/036G HF	SOX-E 36W	7.5	9104 001 33714
SRS 201/055G HF	SOX 55W	7.5	9104 001 33814
SRS 201/066G HF	SOX-E 66W	9.0	9104 001 33914
SRS 201/091G HF	SOX-E 91W	11.0	9104 001 33614
Luminaires with gear shoe			
SRS 201/131G	SOX-E 131W	11.9	9111 176 50414
Gear shoe 131		7.5	9119 117 02014
SRS 201/180G	SOX 180W	11.9	9111 176 50414
Gear shoe 180		7.5	9119 117 01214

"All 'G' units are with 230V/50Hz control gear; the HF versions are suitable for 200-240V/50-60Hz. Other voltages are available on request."

Dimensions in mm



SRS 201/091



1 x SOX-E 91W

1 x 17,000 lm

5°

9 m

H	S	E _H	U ₀	SR	Ī	U ₀	UI	TI	Ī	U ₀	UI	TI	Ī	U ₀	UI	TI
(m)	(m)	(lux)			(cd/m ²)		(%)	(%)	(cd/m ²)		(%)	(%)	(cd/m ²)		(%)	(%)
10	30	15	0.54	0.58	1.4	0.40	0.86	7.4	1.2	0.40	0.86	11.7	1.3	0.60	0.65	9.4
10	35	12	0.51	0.58	1.2	0.38	0.89	7.7	1.1	0.39	0.89	12.5	1.2	0.56	0.59	9.9
10	40	11	0.49	0.58	1.0	0.38	0.86	8.2	0.9	0.39	0.86	13.3	1.0	0.52	0.53	10.4
10	45	10	0.48	0.58	0.9	0.38	0.75	8.7	0.8	0.39	0.75	14.0	0.9	0.49	0.46	10.9
10	50	9	0.46	0.58	0.8	0.38	0.64	9.2	0.8	0.37	0.64	14.9	0.8	0.45	0.41	11.4