

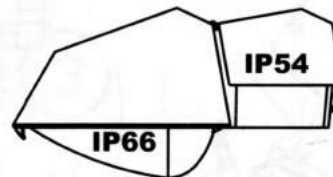
	 W	 Kg Max	 m ²	Nr..
--	---	---	--	------

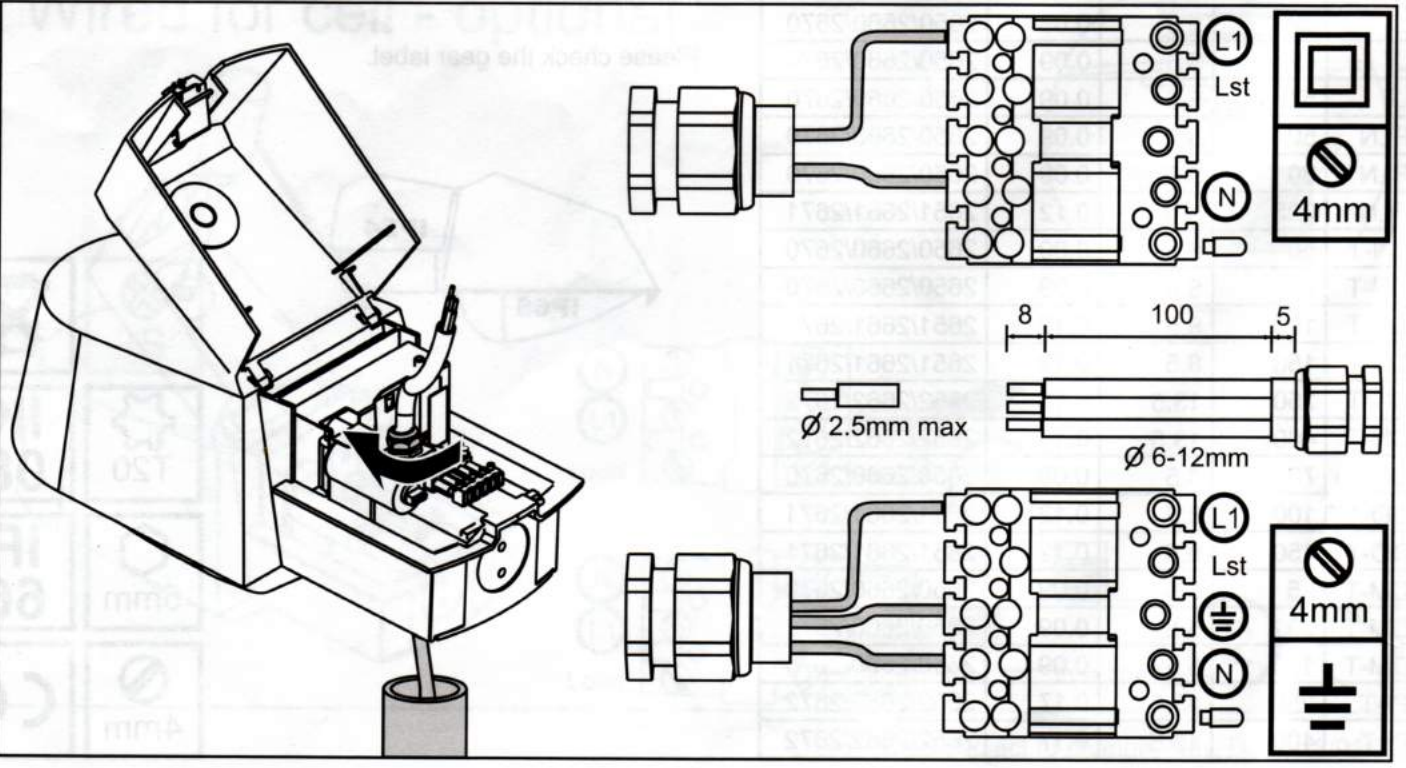
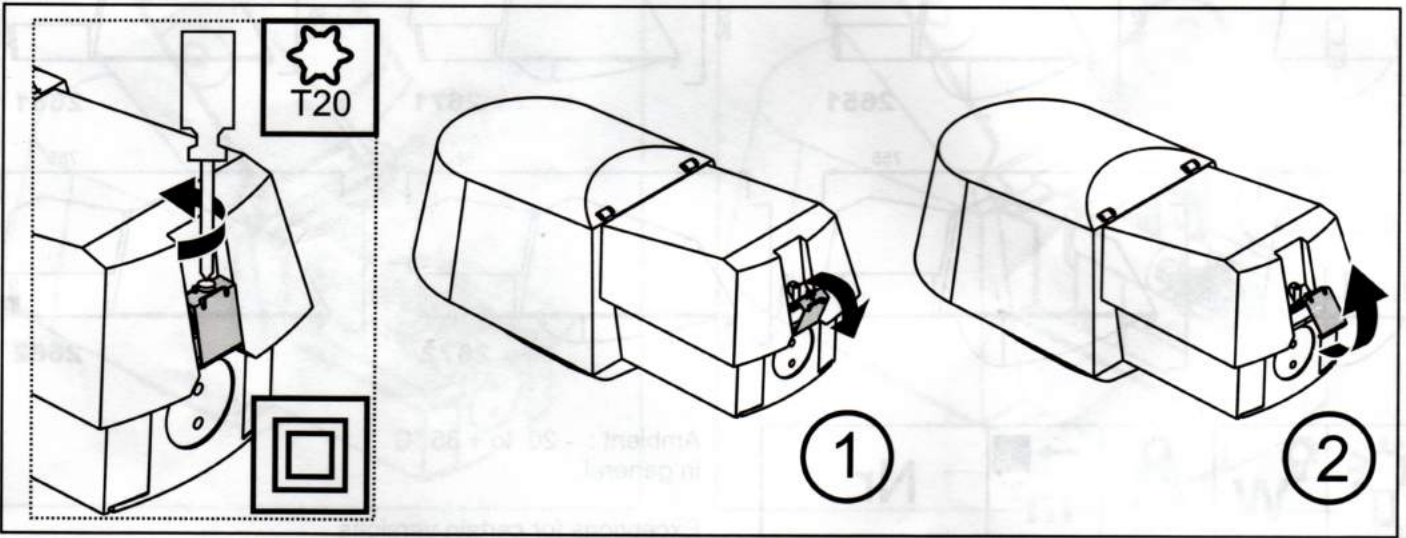
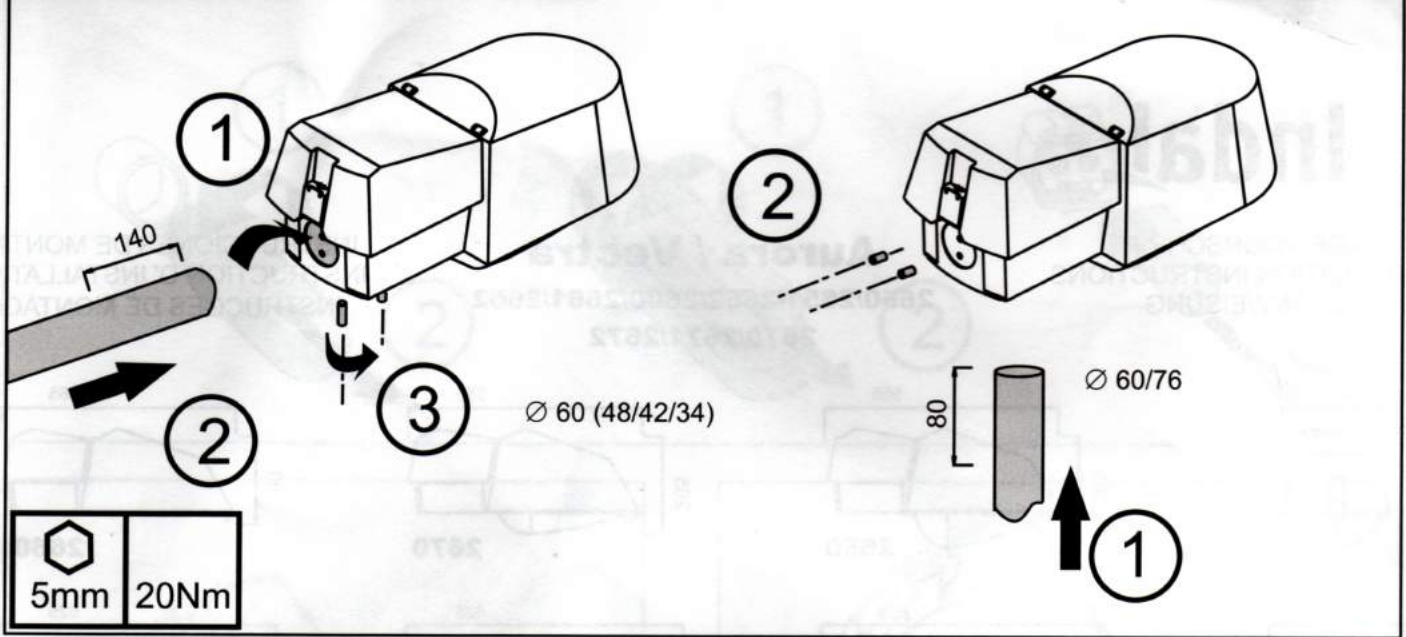
PLT	26	5.5	0.09	2650/2660/2670
PLT	32	5.5	0.09	2650/2660/2670
PLT	42	5.5	0.09	2650/2660/2670
PLT	57	5.5	0.09	2650/2660/2670
HPLN	50	5.5	0.09	2650/2660/2670
HPLN	80	5.5	0.09	2650/2660/2670
HPLN	125	8.5	0.12	2651/2661/2671
SON-T	50	5.5	0.09	2650/2660/2670
SON-T	70	5.5	0.09	2650/2660/2670
SON-T	100	8.5	0.12	2651/2661/2671
SON-T	150	8.5	0.12	2651/2661/2671
SON-T	250	13.5	0.17	2652/2662/2672
SON-T	400	13.5	0.17	2652/2662/2672
CDO-TT	70	5.5	0.09	2650/2660/2670
CDO-TT	100	8.5	0.12	2651/2661/2671
CDO-TT	150	8.5	0.12	2651/2661/2671
CDM-T	35	5.5	0.09	2650/2660/2670
CDM-T	70	5.5	0.09	2650/2660/2670
CDM-T	150	5.5	0.09	2650/2660/2670
HPI-T	250	13.5	0.17	2652/2662/2672
HPI-T	400	13.5	0.17	2652/2662/2672

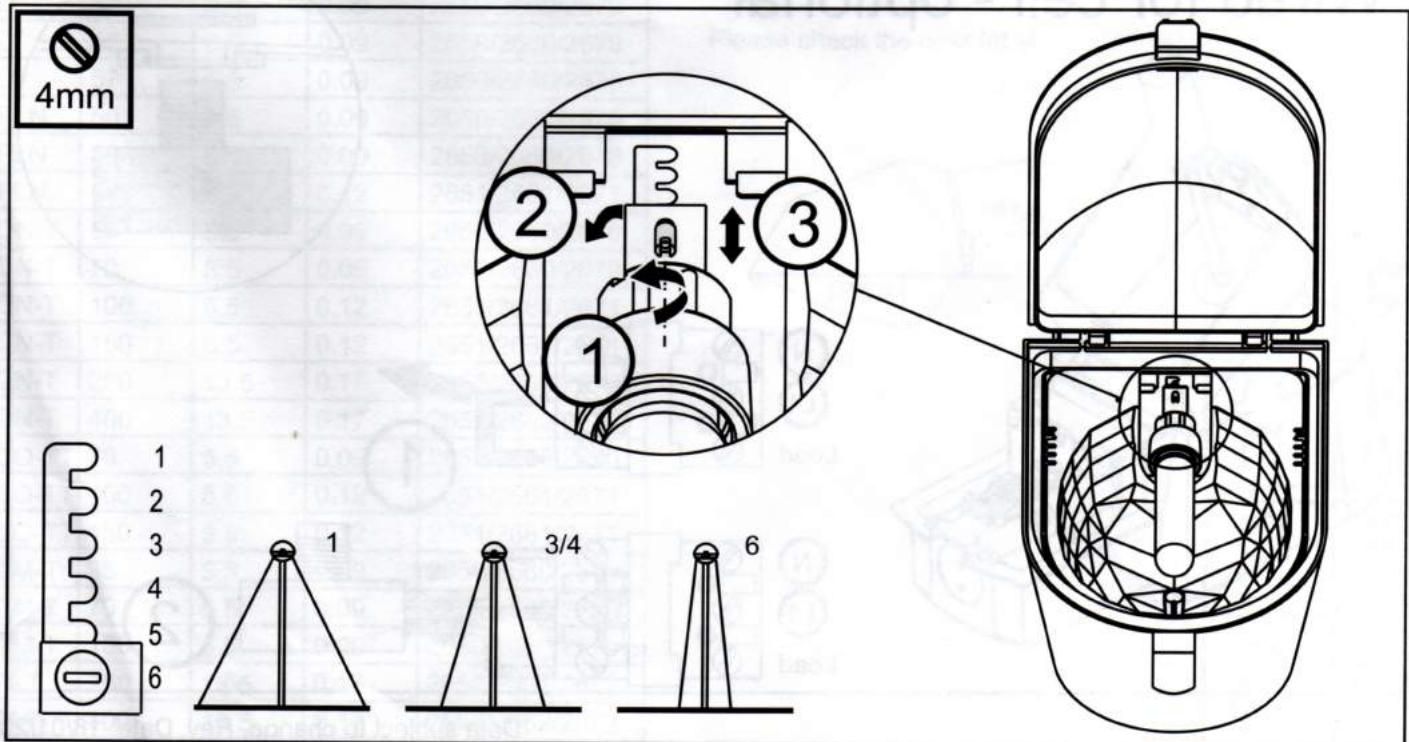
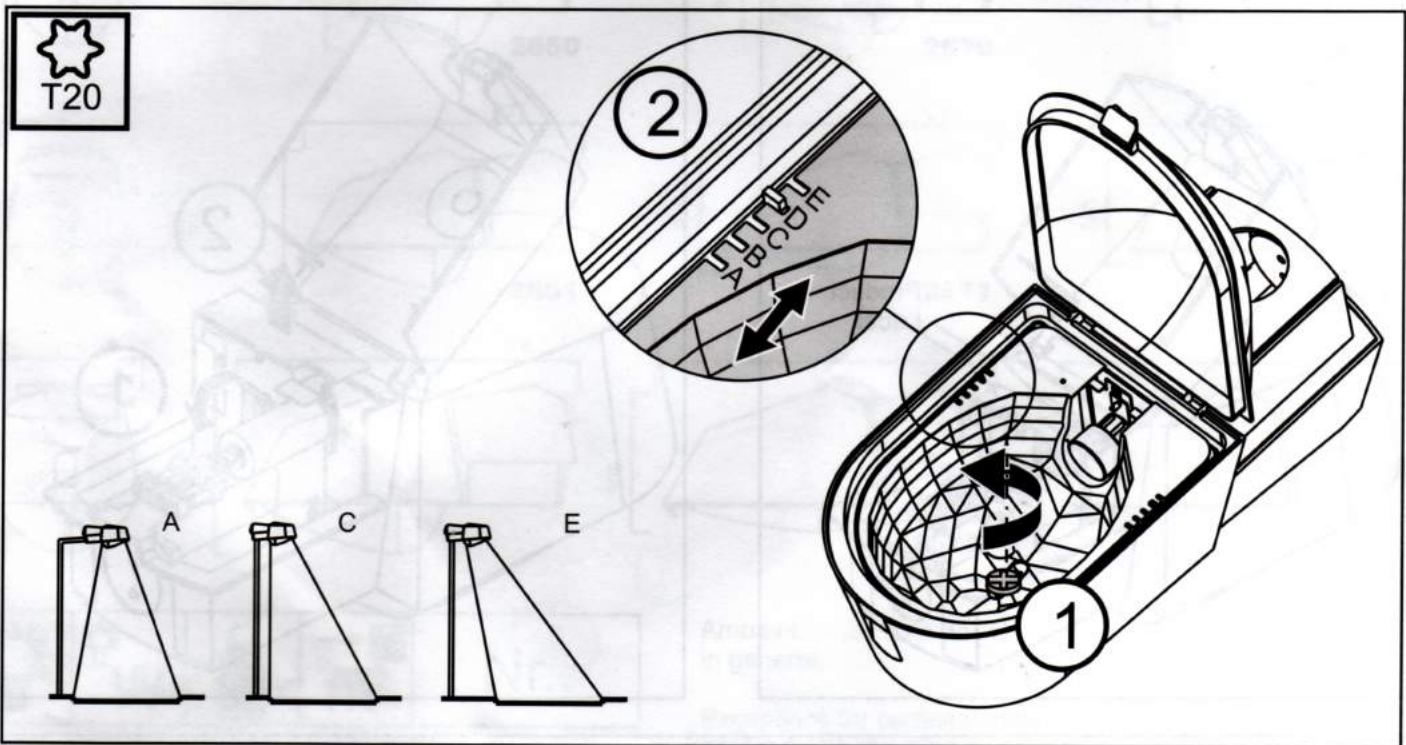
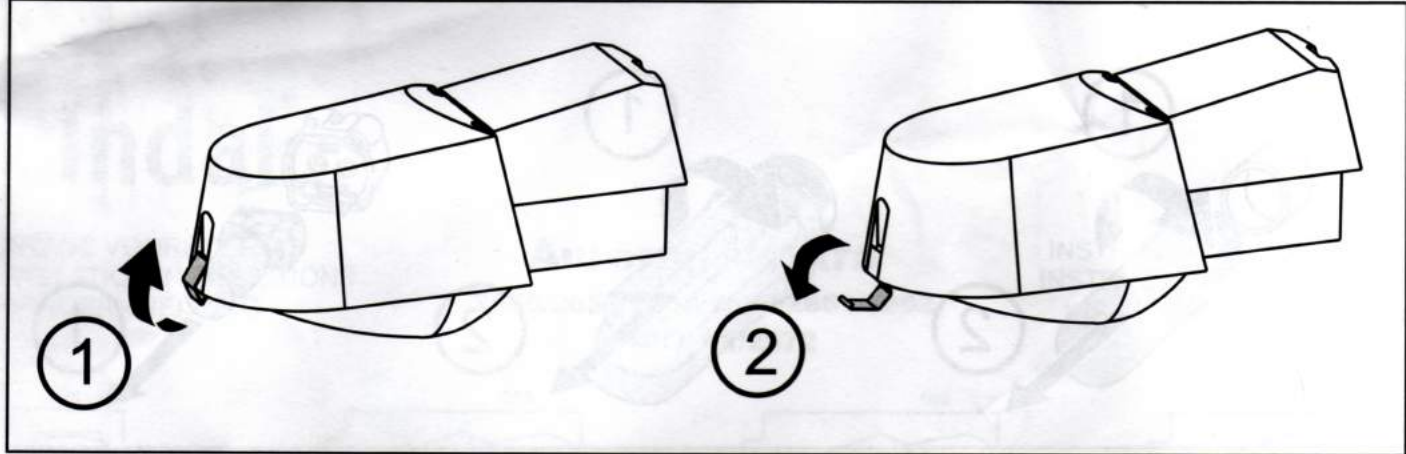
Ambient : - 20 to + 35 °C
in general.

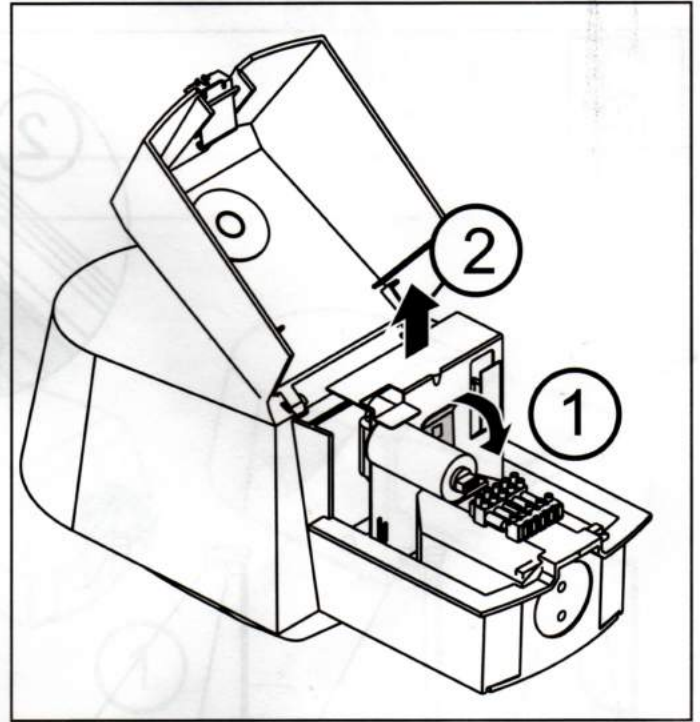
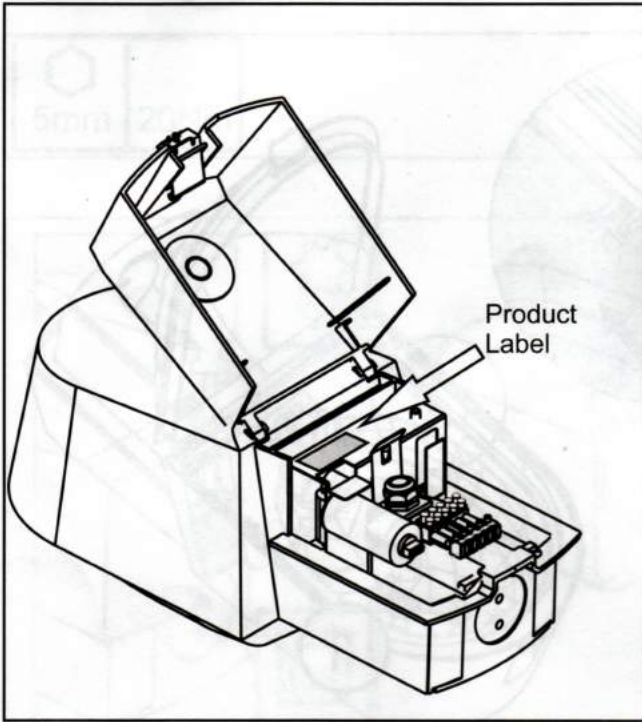
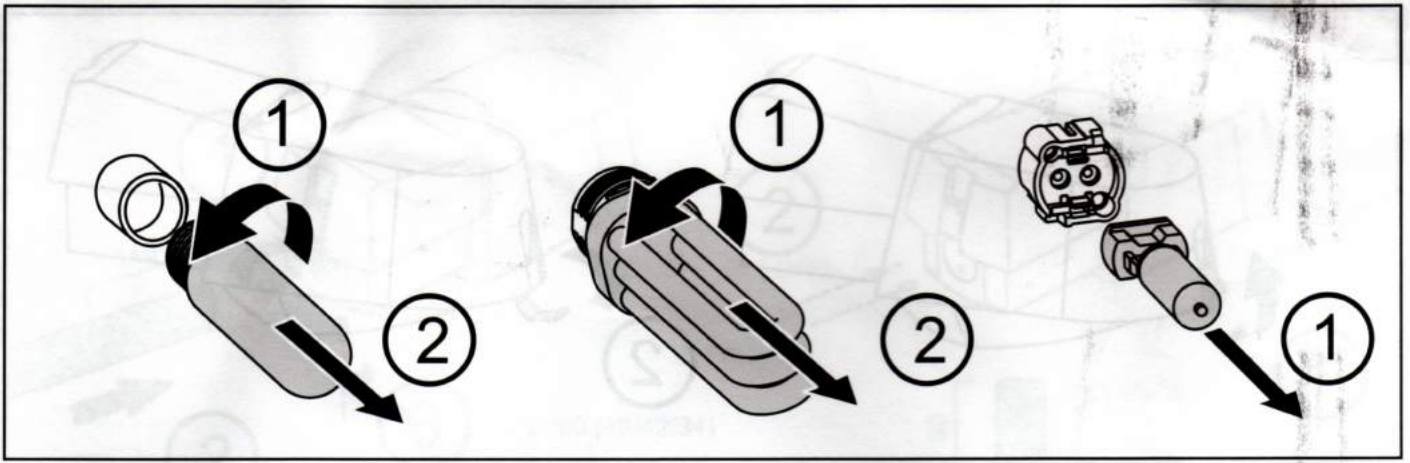
Exceptions for certain versions
equipped with dimming gear and
mini photocell.

Please check the gear label.

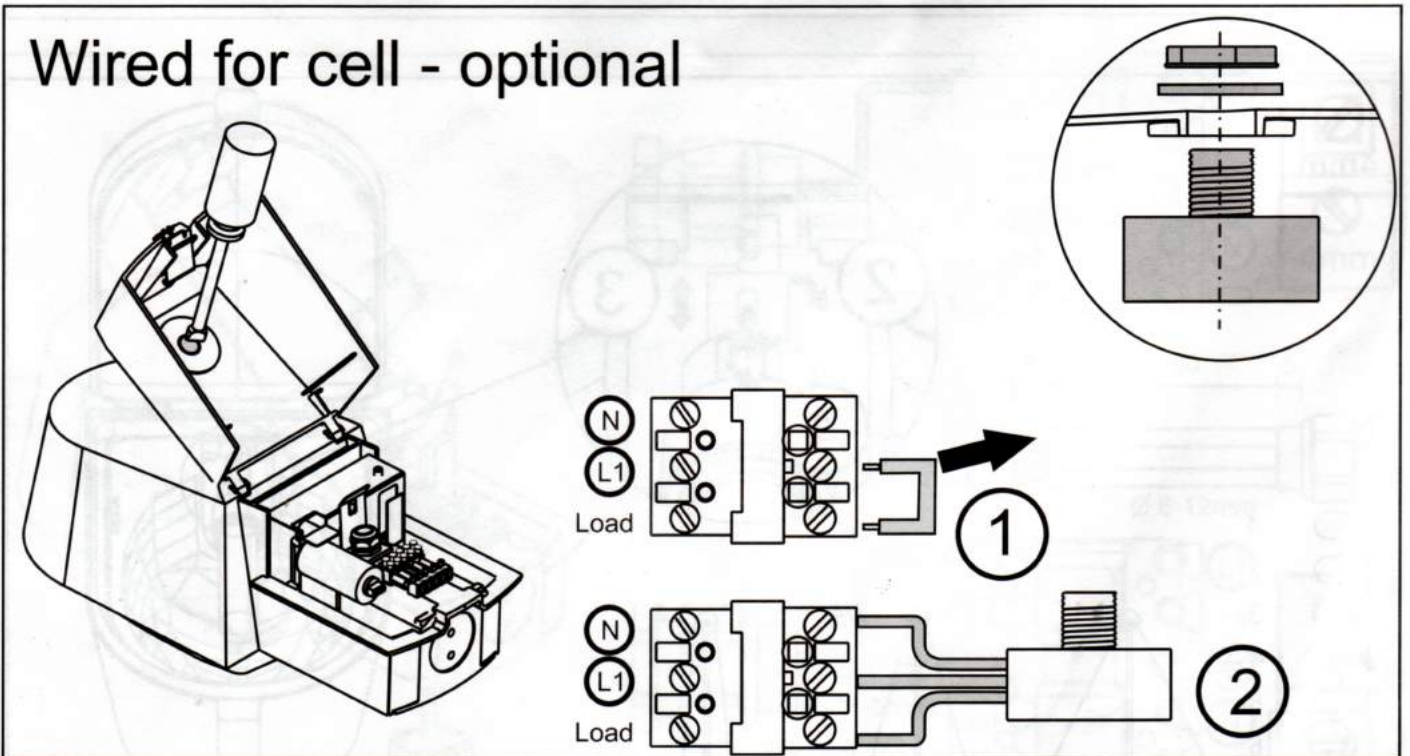


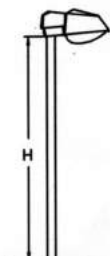






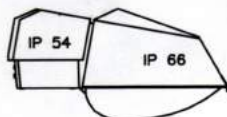
Wired for cell - optional



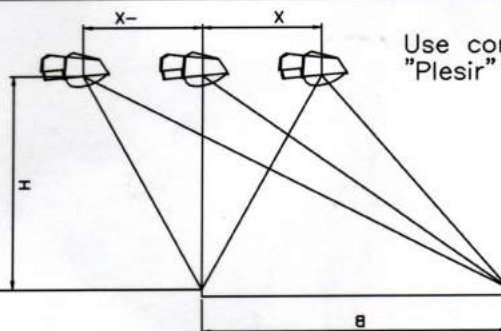


TYPE	H(m)	Cx.s(m ²)	Wt(kg)
2650	6	0,09	5,5
2660			
2670			
2651	8-10	0,12	8,5
2661			
2671			
2652	>12	0,17	13,5
2662			
2672			

LAMP TYPE	TYPE NR.		
	Bowl	Flat glass	Curved glass
	2650	2660	2670
SON-T/SON-E 50	265022	266022	267022
SON-T/SON-E 70			
MBF/U 80			
	2651	2661	2671
SON-T/SON 100	265122	266122	267122
SON-T/SON 150			
MBF/U 125			
	2652	2662	2672
SON-T/SON 250	265222	266222	267222
SON-T 400			
SON 400			
MBF/U 250	265216	266216	267216
MBF/U 400		266216	




TYPE	lxwxh	W (m ²)
2650	550x260x270	0,10
2660	550x260x190	0,08
2670	550x260x213	0,09
2651	620x310x315	0,14
2661	620x310x225	0,11
2671	620x310x253	0,12
2652	750x360x390	0,19
2662	750x360x270	0,16
2672	750x360x305	0,17

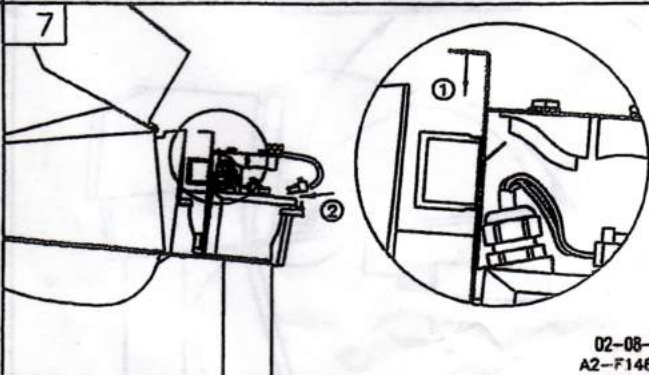
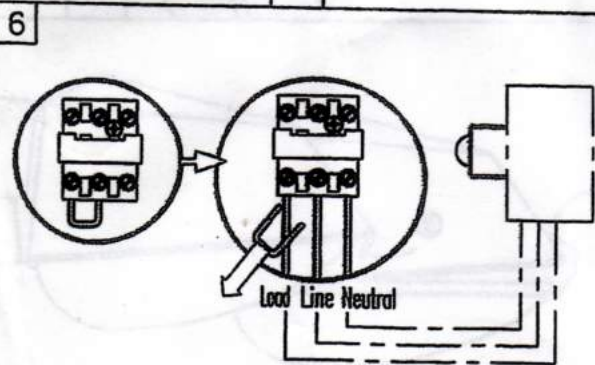
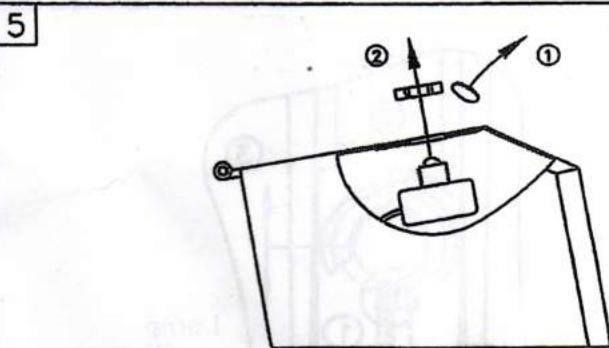
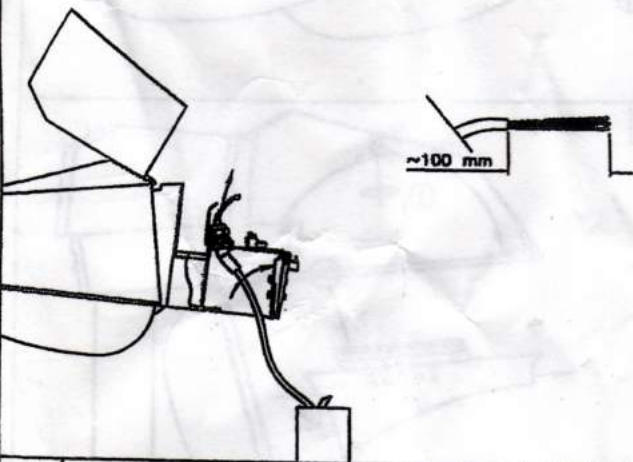
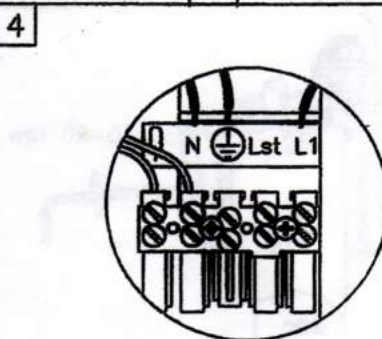
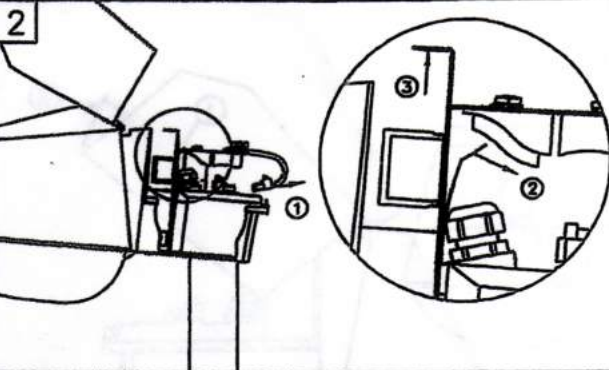
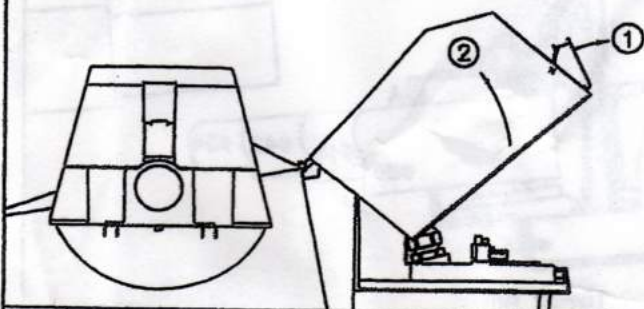


Use computer program "Plesir" from Industria.

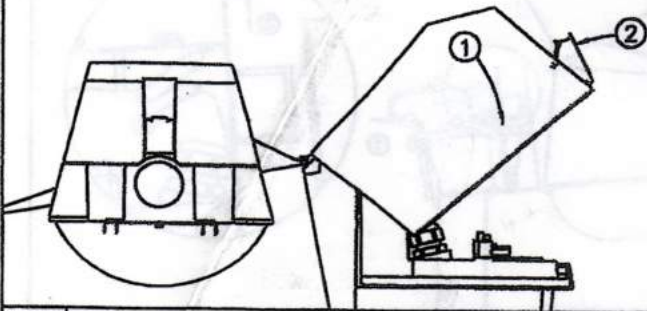
			H/B=1 X=0m	H/B=1 X=pos	H/B=1 X=neg	H/B<1	H/B>1	Factory setting
2650	SON-E	50/70W	B/C	A	D	D	A	
	SON-T	50/70W	B	A	C/D	C/D	A	
	MFB/U	80W	B/C	A	D	D	A	
2651	SON	100W	C	A/B	D/E	D/E	A/B	2C
	SON	150W	D	B/C	E	E	B/C	
	SON-T	100/150W	C	A/B	D/E	D/E	A/B	
	MFB/U	125W	C	A/B	D/E	D/E	A/B	
2652	SON	250W	C	A/B	D/E	D/E	A/B	2C
	SON-T	250W	C	A/B	D/E	D/E	A/B	
	SON	400W	C	A/B	D/E	D/E	A/B	3C
	SON-T	400W	C	A/B	D/E	D/E	A/B	



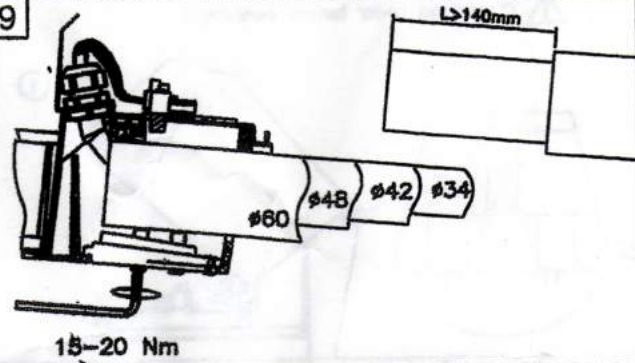
1  Disconnect power before servicing !



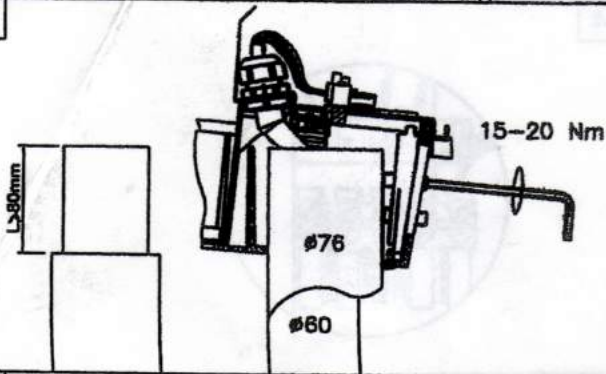
8



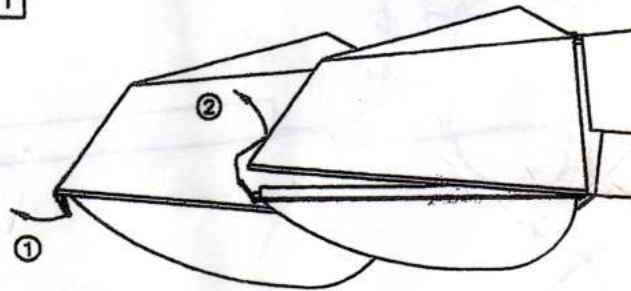
9



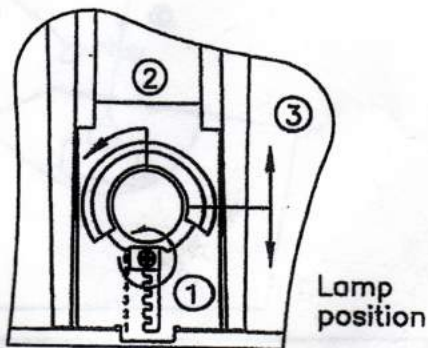
10



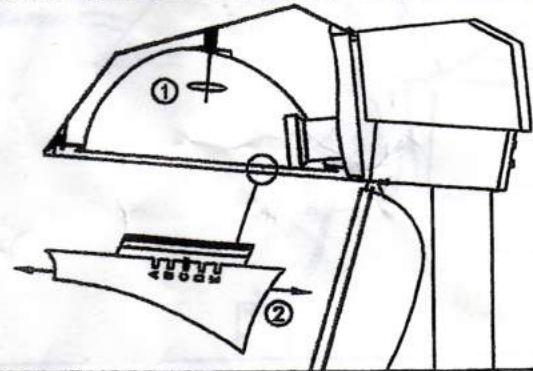
11



12



13



15

