

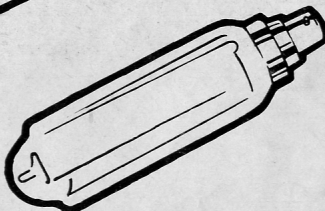
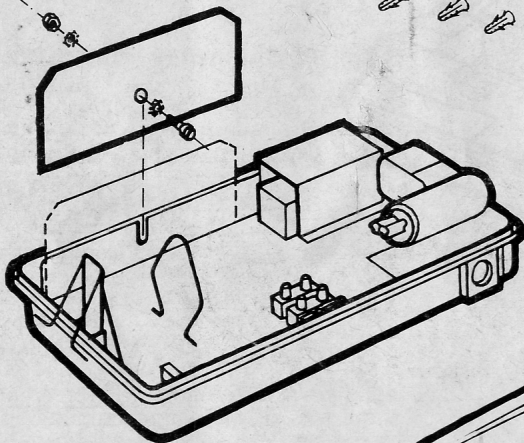
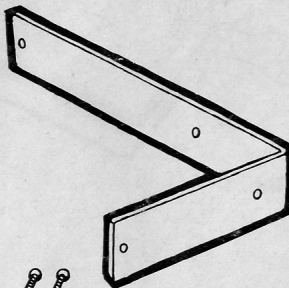
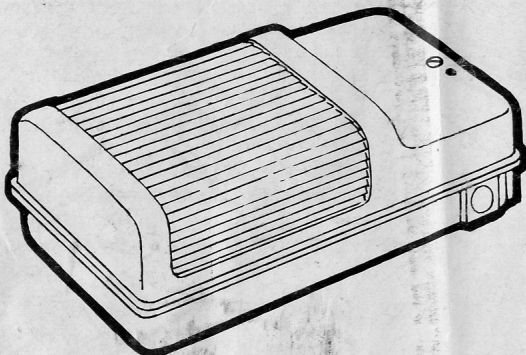
PHILIPS

XGC 001 KOMBI

LAMP: SOX 18W:

BALLAST:

tw 130/△t55



MOUNTING INSTRUCTIONS
INSTRUCTIONS DE MONTAGE

MONTAGEVORSCHRIFT
MONTAGEVOORSCHRIFT

ASSEMBLY INSTRUCTIONS FOR XGC 001 COMBI

GENERAL PREPARATION

Open the luminaire, see Fig. 1, and remove the electrical part, see Fig. 2. Depending on the assembly position chosen (a, b, c or d, see below), you can open one of the punched gates **C** to install the coupling nut, see Fig. 3. The installation housing can be used to take over the securing holes.

a. BRACKET INSTALLATION, SEE FIG. 9

Open the punched gates **A**, see Fig. 3, for the securing screws and hole **D**, see Fig. 1, for venting.

Rubber sealing ring on the inside of the luminaire.

b. HORIZONTAL WALL INSTALLATION, SEE FIG. 10

Open the punched gates **B**, see Fig. 3, for the securing screws and the lower of the two holes **E** or **F** for venting. Install screen **G**, see Fig. 4, to avoid loss of light upwards (remove protective foil).

c. VERTICAL WALL INSTALLATION, SEE FIG. 12

Open the punched gates **B**, see Fig. 3, for the securing screws and hole **F** for venting.

d. CEILING INSTALLATION, SEE FIG. 11

Open the punched gates **A** or **B**, see Fig. 3, for the securing screws.

INSTALLATION - GENERAL POINTS

Secure the luminaire with the securing materials supplied - see also Fig. 3.

Position the coupling nut over the mains supply wires, see Fig. 5.

Strip the wires, see Fig. 6.

Fit the nut.

Secure the mains supply wires under the pull relief **H**, see Fig. 7.

Secure the pull relief.

Place the electrical part in the luminaire.

Connect the wires as shown in Fig. 7.

Connect the earth wire (green/yellow) to the connection point marked \perp .

Place the lamp in position and close the luminaire as shown in Fig. 8.

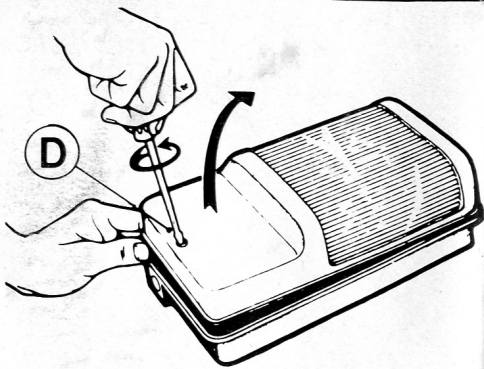


Fig./Abb. 1

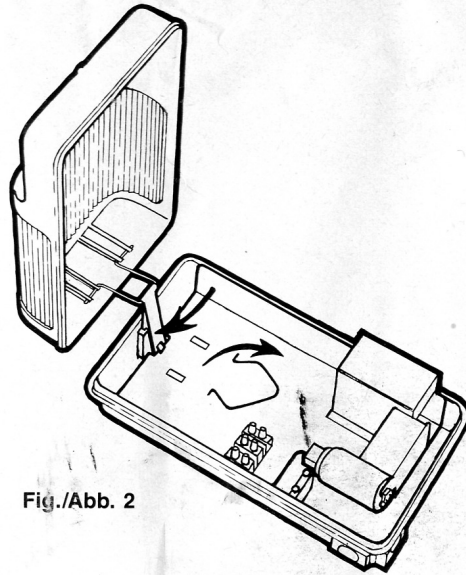


Fig./Abb. 2

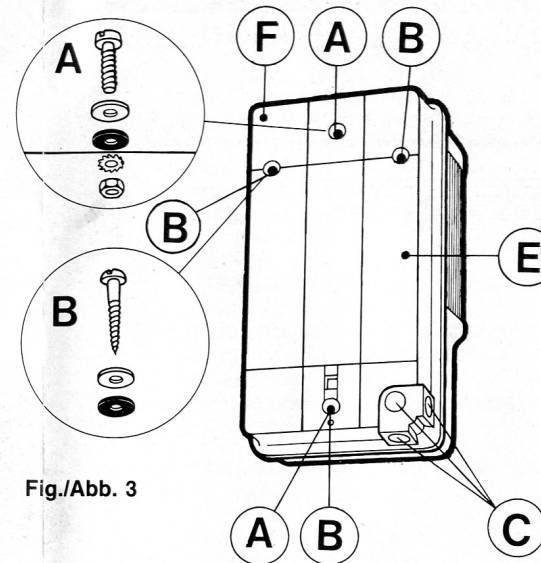


Fig./Abb. 3

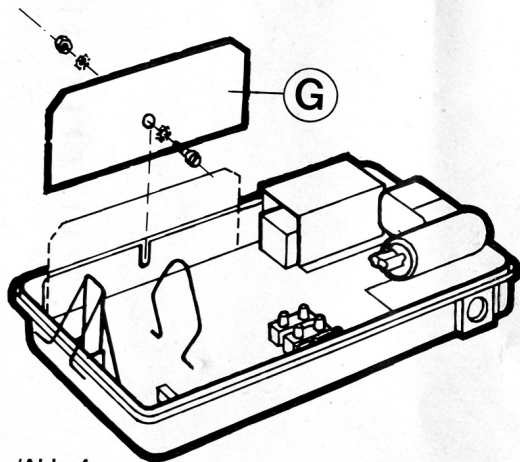


Fig./Abb. 4

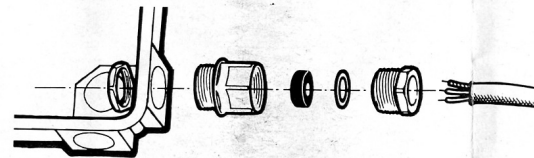


Fig./Abb. 5

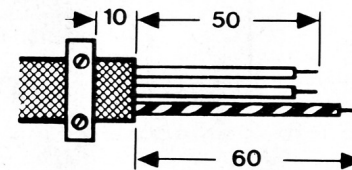


Fig./Abb. 6

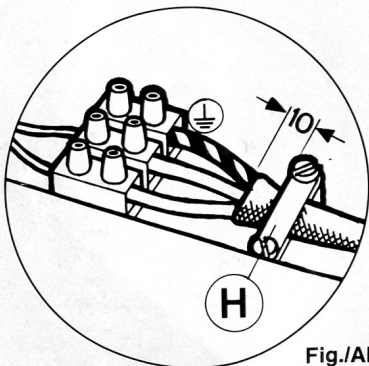


Fig./Abb. 7

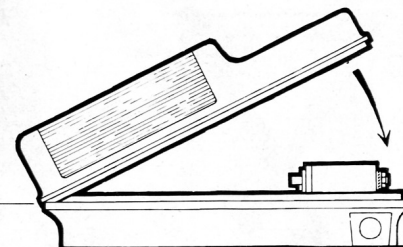
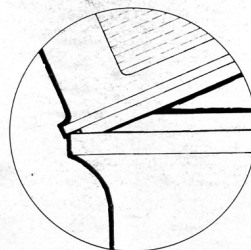


Fig./Abb. 8

MOUNTING POSSIBILITIES
POSSIBILIT ES DE MONTAGE

MONTAGEMOCHLIKHEDEN
MONTAGEMOGELIJKHEDEN

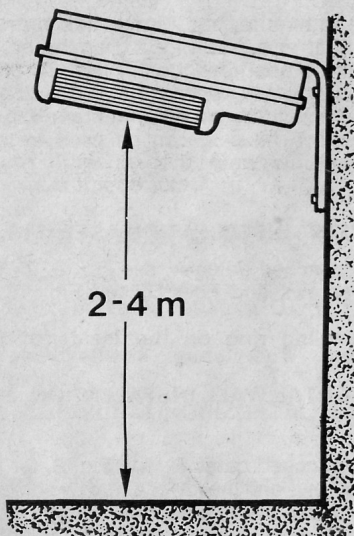


Fig./Abb. 9

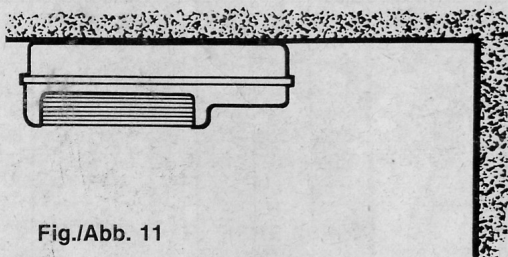


Fig./Abb. 11

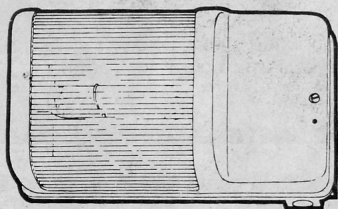


Fig./Abb. 10

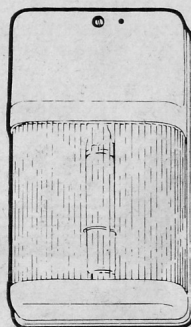


Fig./Abb. 12

