



IP54

amenity lighting - AM200 series



AM202 illustrated above with Abacus 'SA' range of co-ordinated street furniture.

A vandal-resistant amenity luminaire for use in parks and gardens, residential areas, car parks and general amenity applications.

Recommended mounting heights 3m to 5m.

Symmetrical distribution lantern:

Featuring:

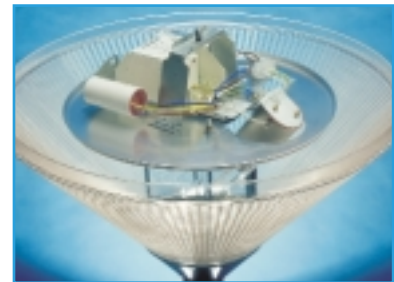
- Electropolished, anodised and sealed aluminium top cover finished black powder coated.
- Clear prismatic (AM202) diffuser in polycarbonate.
- Die-cast aluminium alloy support, finished black, for mounting on 50mm or 60mm diameter poles/spigots.

- Incorporating an electro-polished, anodised and sealed aluminium reflector tray to support the control gear.
- Optional two-part photocell. Small photocell sensor fitted to canopy with plug and socket connection to gear tray to allow complete removal of canopy for installation and maintenance.
- Access to control gear via removal of top canopy. Further access for re-lamping by lifting the diffuser.

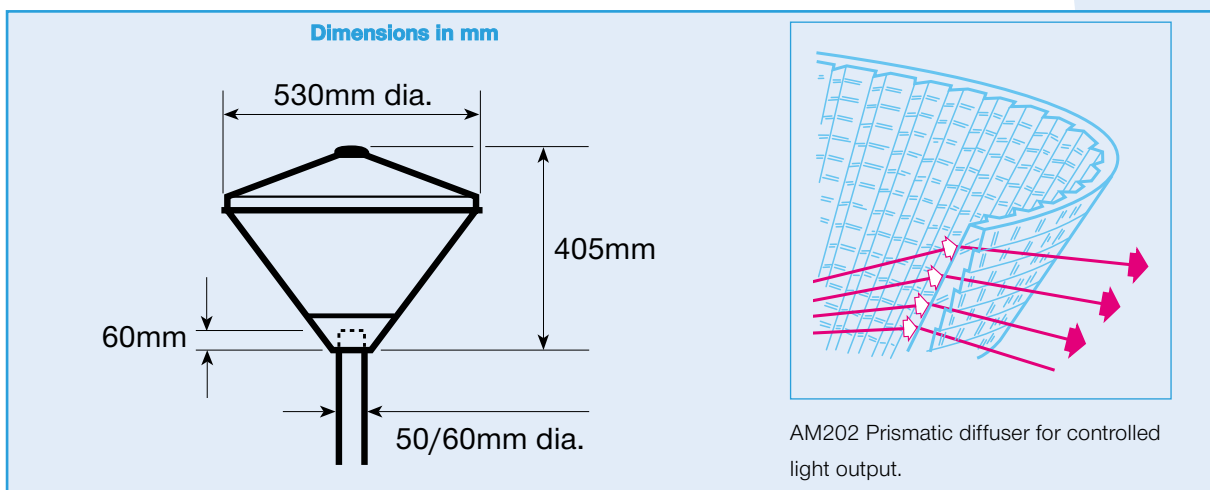


AM202 Clear Polycarbonate Diffuser

amenity lighting - AM200 series



Remove top cover for access to reflector tray



Model	Lamp Wattage and Type	Lamp Holder	Description	Weight (without gear)
AM202	80/125/250W MBF 70/100/150W SONE	E-27 or E-40*	Prismatic bowl Integral gear	3.7kg

*As appropriate. Please specify mains voltage requirements.